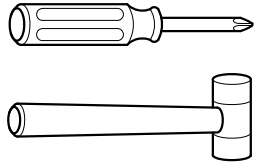
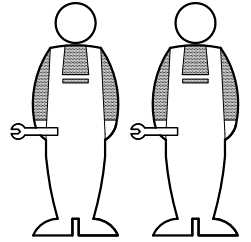
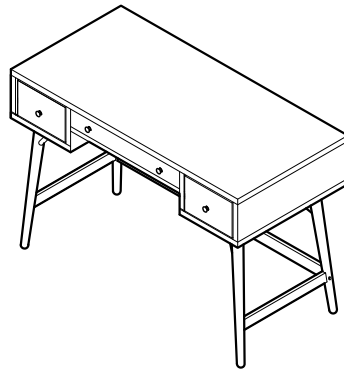


**ASSEMBLY  
INSTRUCTIONS**

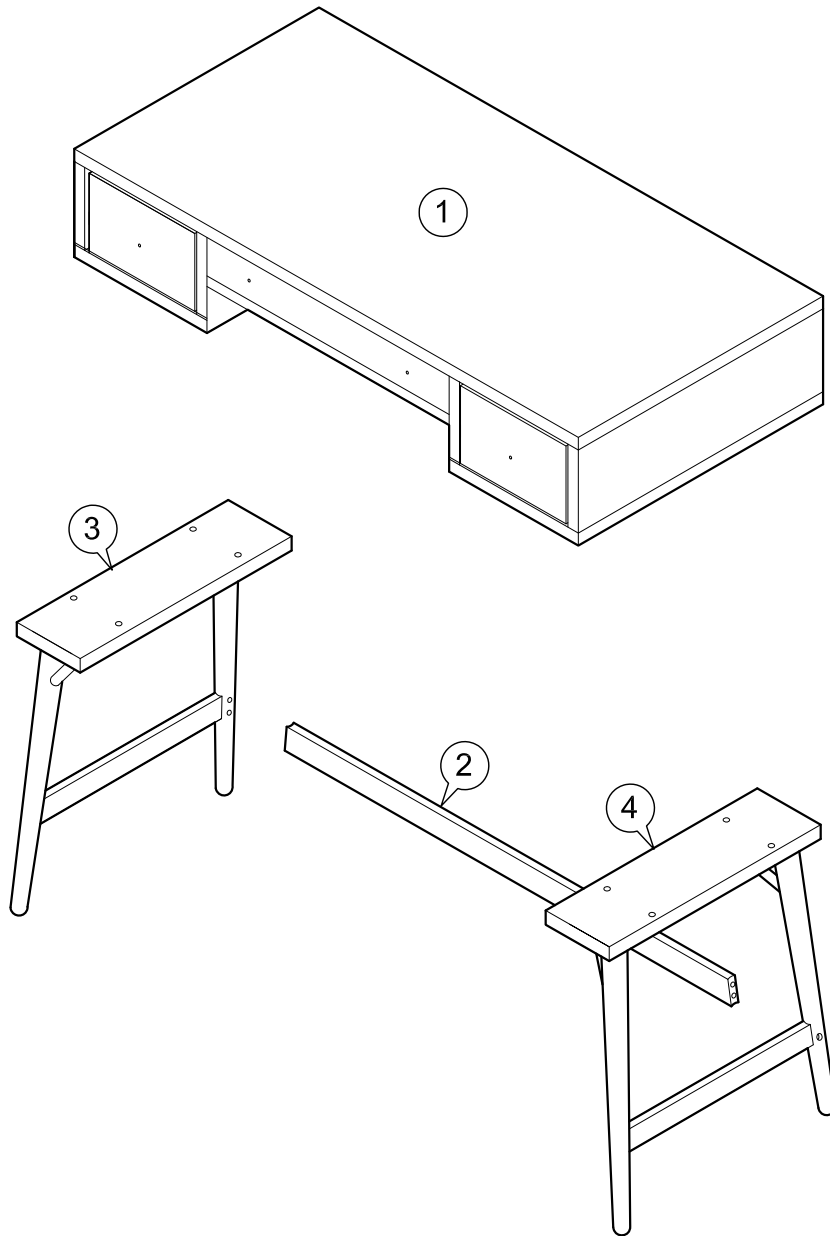
Item : Sutton Writing Desk



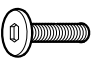





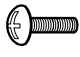

Not Provided

2 Persons

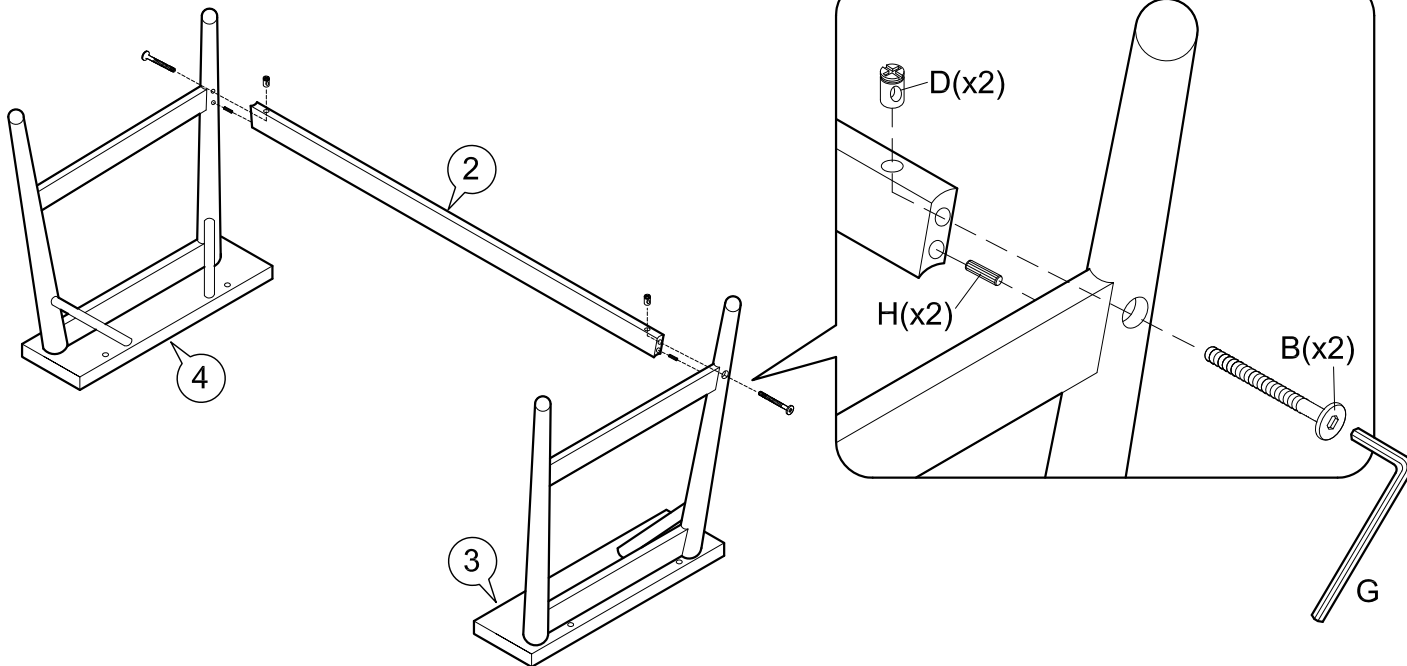
**Part List**



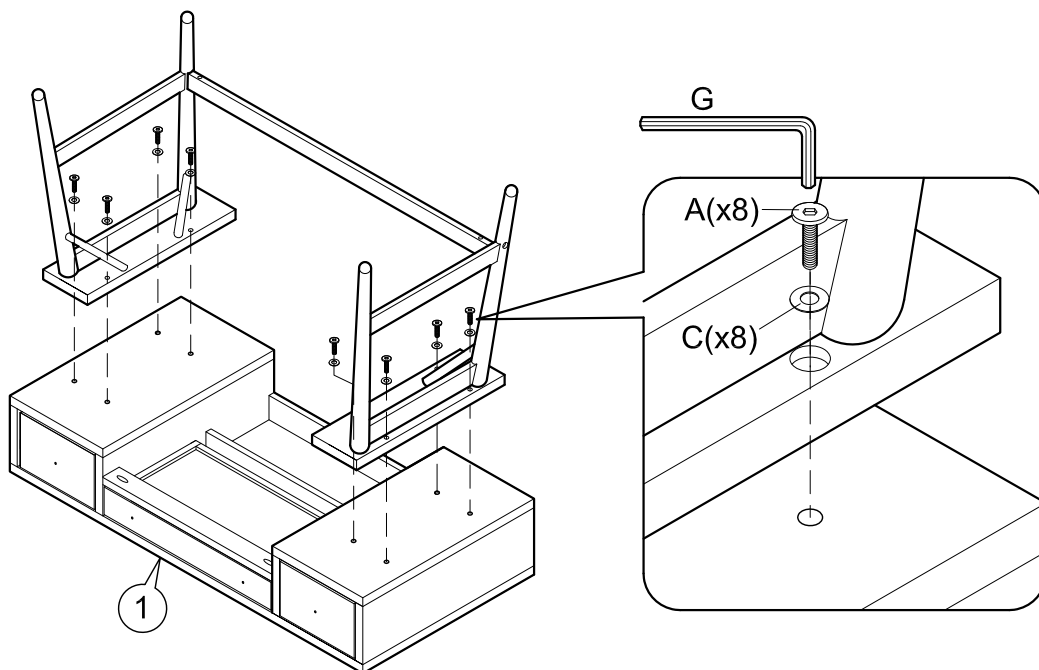
**Hardware List**

|  |   |   |   |
|--|---|---|---|
| <p><b>A</b> M6 x 30mm = 8</p>  | <p><b>C</b> M6 x 13mm = 8</p>  | <p><b>E</b> = 4</p>       | <p><b>G</b> = 1</p>            |
| <p><b>B</b> M6 x 70mm = 2</p>  | <p><b>D</b> M6 x 13mm = 2</p>  | <p><b>F</b> 20mm = 4</p>  | <p><b>H</b> M8 x 30mm = 2</p>  |

1



2



3

