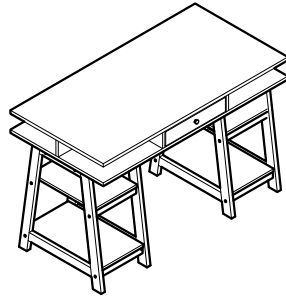
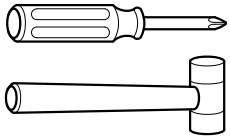
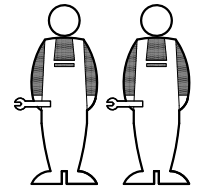


# ASSEMBLY INSTRUCTIONS

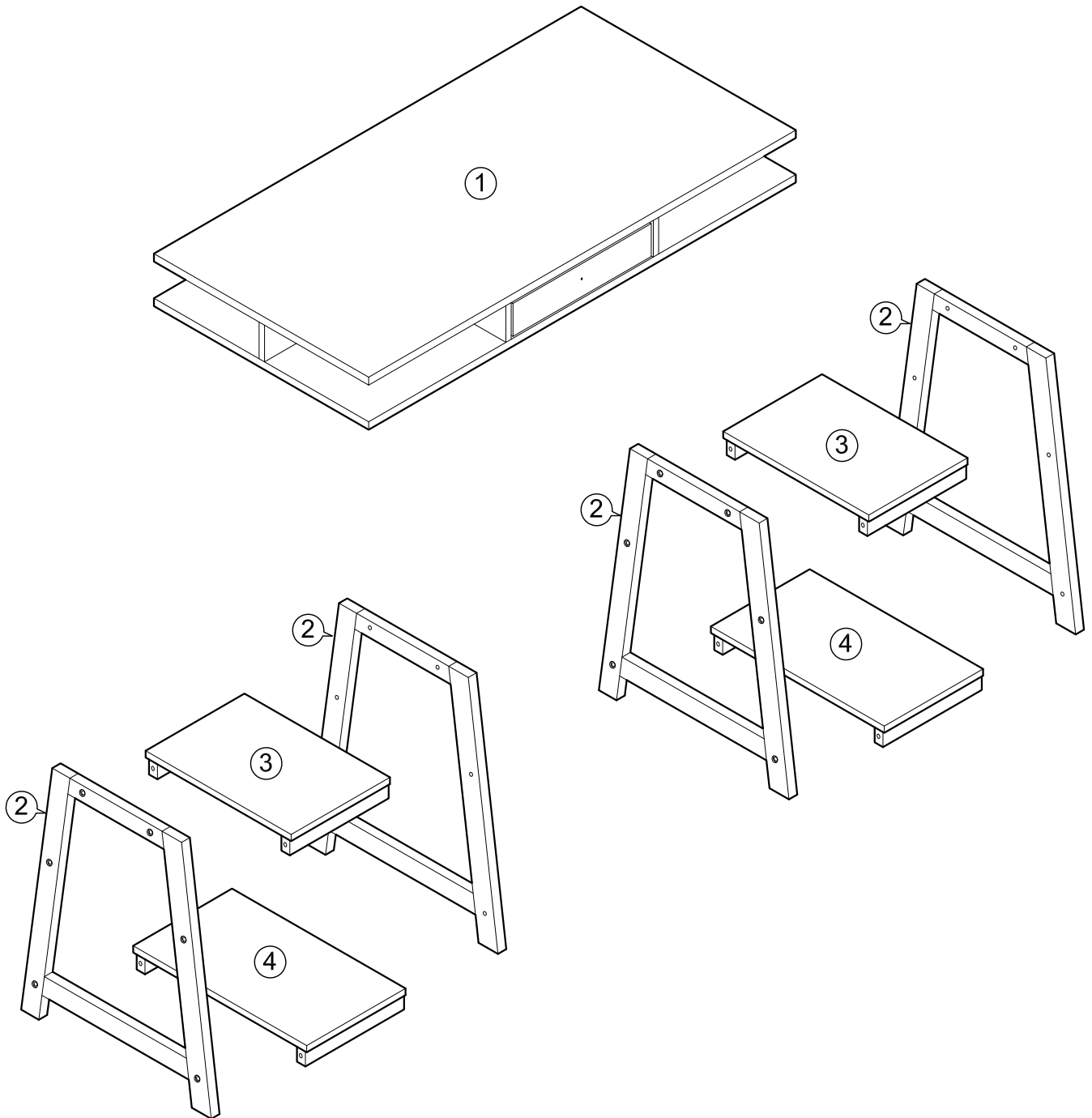
Item : Albany Writing Desk



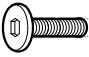
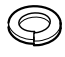


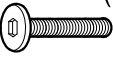


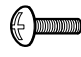
Not Provided

2 Persons

## Part List



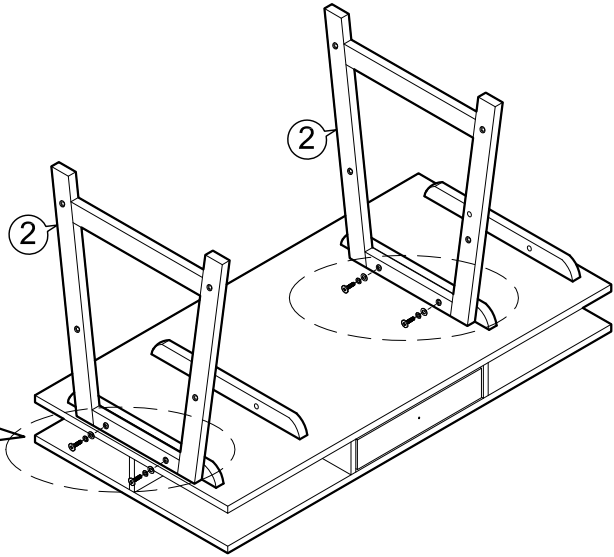
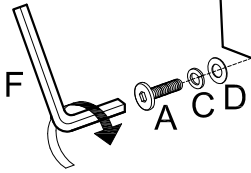
## Hardware List

A	 (Black) 35mm = 8	C	 (Black) 1/4" =24	E	 =16	G	 = 1
B	 (Black) 50mm =16	D	 (Black) M6 x 13mm =24	F	 = 1	H	 20mm = 1

1

Do not fully tighten bolt

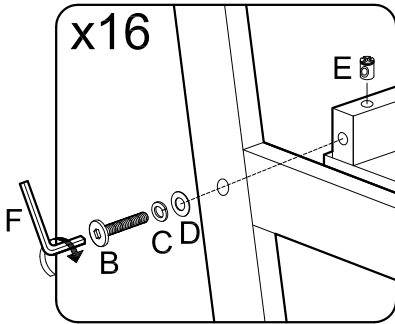
x4



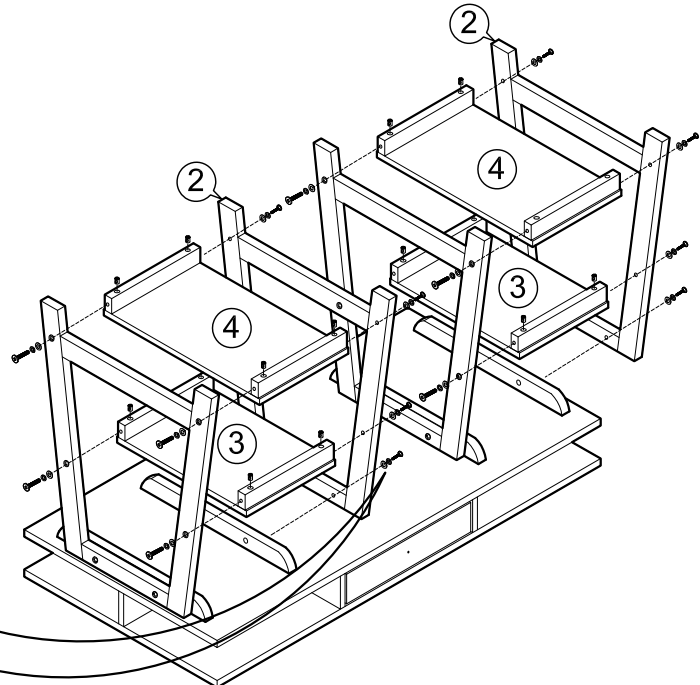
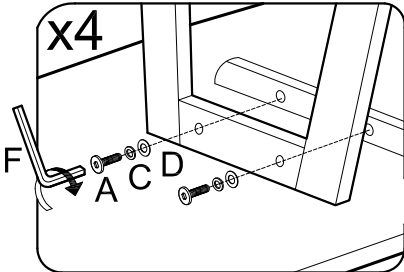
2

Do not fully tighten bolt

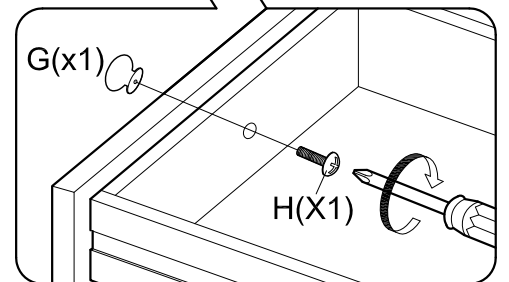
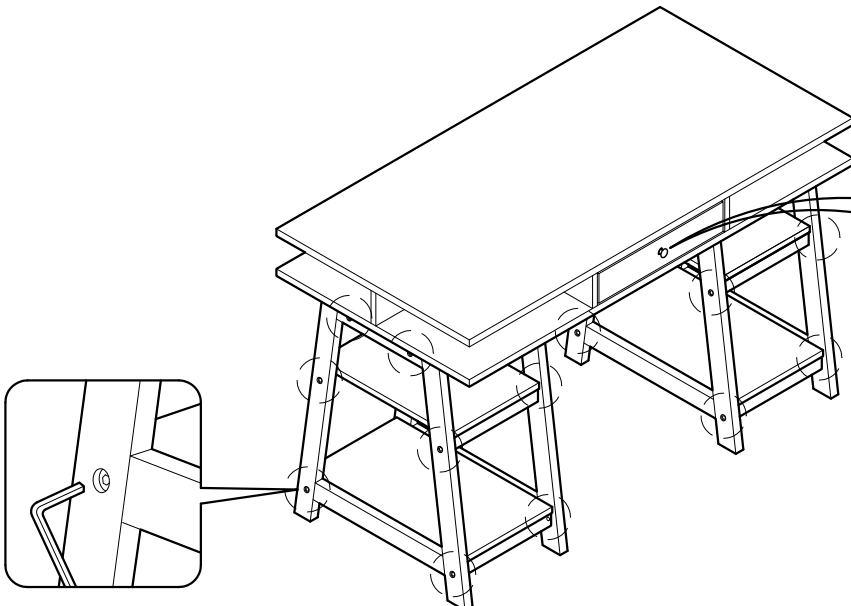
x16



x4



3



Tighten all bolts