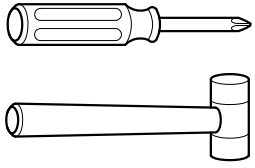
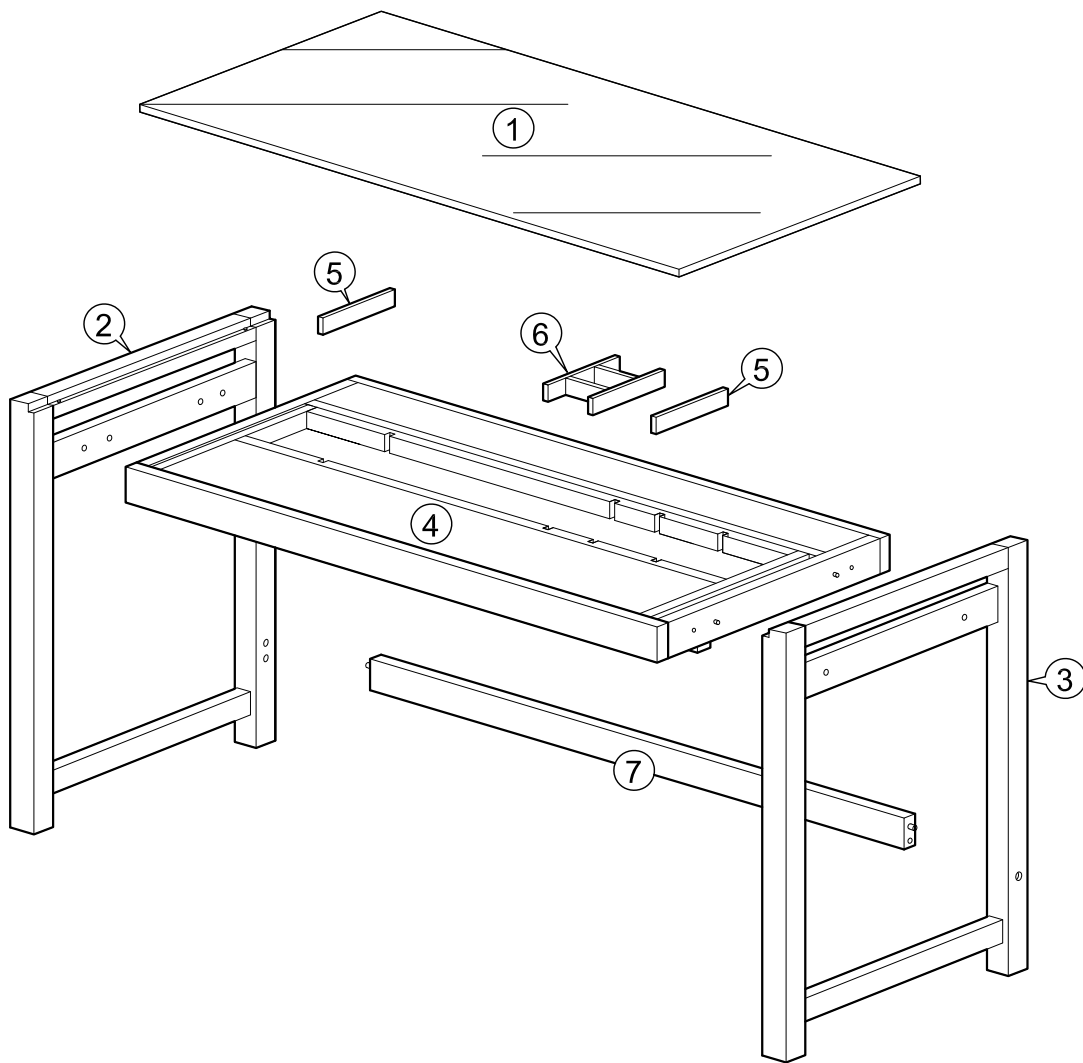
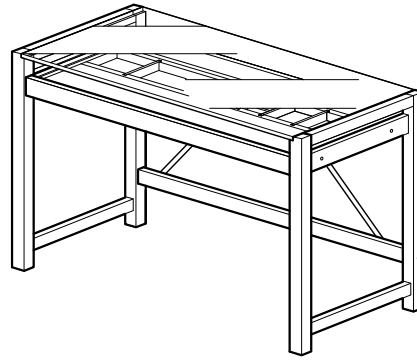


**ASSEMBLY
INSTRUCTIONS**

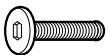
Item : Lowell Writing Desk



Not Provided



A M6 x 30mm = 4



C 1/4" = 6



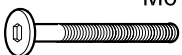
E = 1



G Pan Head #8 x 16mm = 3



B M6 x 70mm = 2



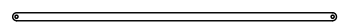
D M6 x 13mm = 6



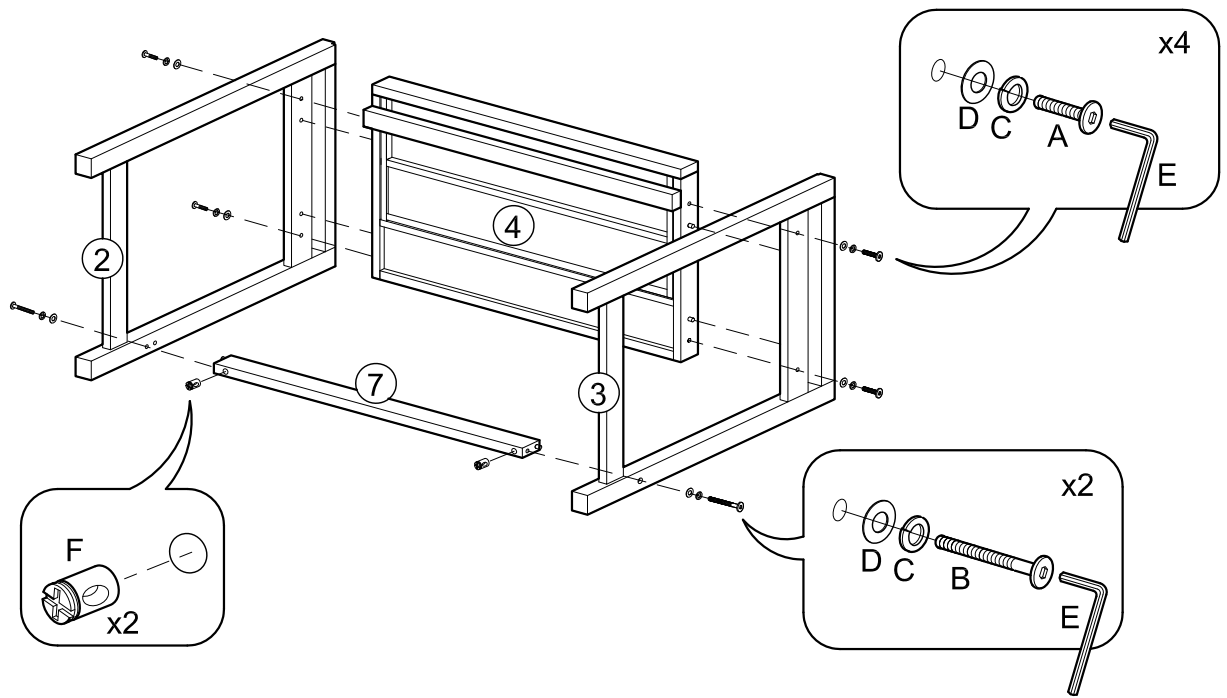
F M6 x 13mm = 2



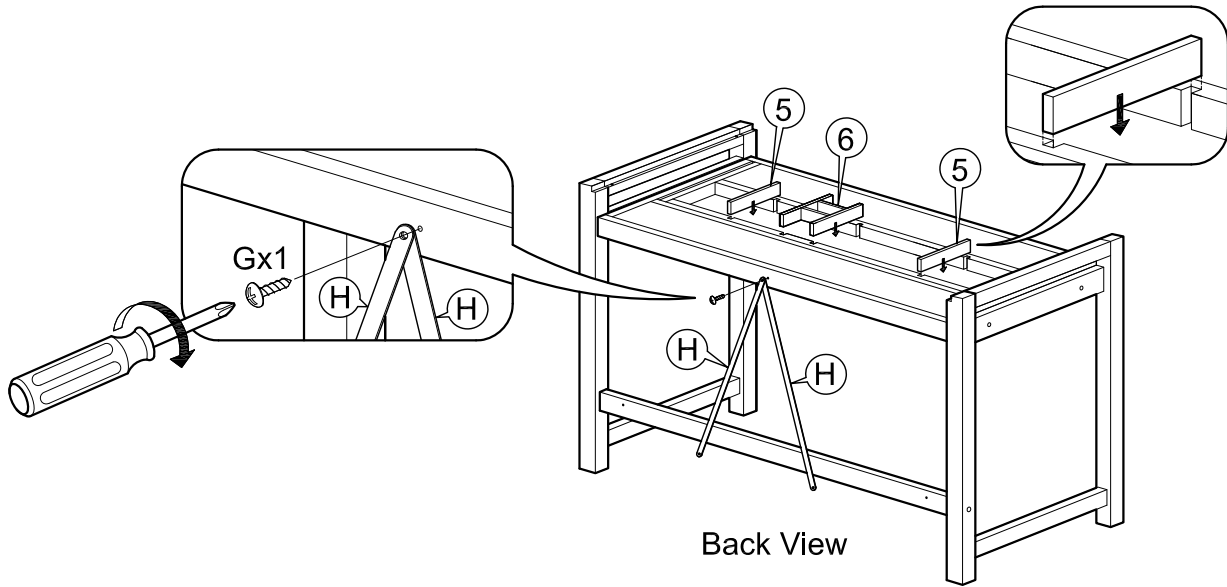
H = 2



1



2



3

