

ASSEMBLY INSTRUCTION

MODEL: 131C

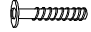
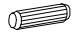
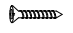


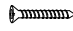
Read this instruction carefully, remove all wrapping material, staples and straps from the carton. See hardware and furniture part list

For guidance. Be sure you have all wooden furniture parts on a clean and soft surface to prevent from being scratched. Follow the figure to start assembling.

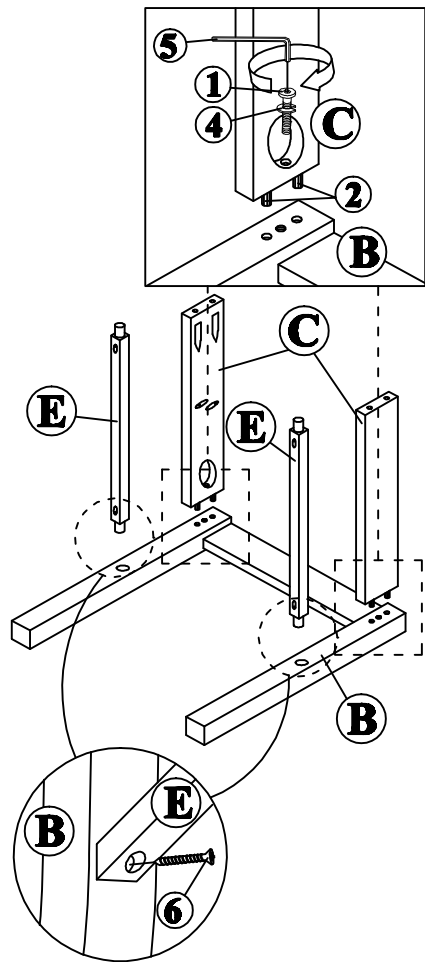
Caution:

1. Do not FULLY -TIGHTEN the nut or bolt until all nut or nut bolt is ready to assembled.
2. Do not OVER- TIGHTEN the nut or nut bolt to avoid causing damages to the thread.
3. Keep all hardware part out of reach of children.

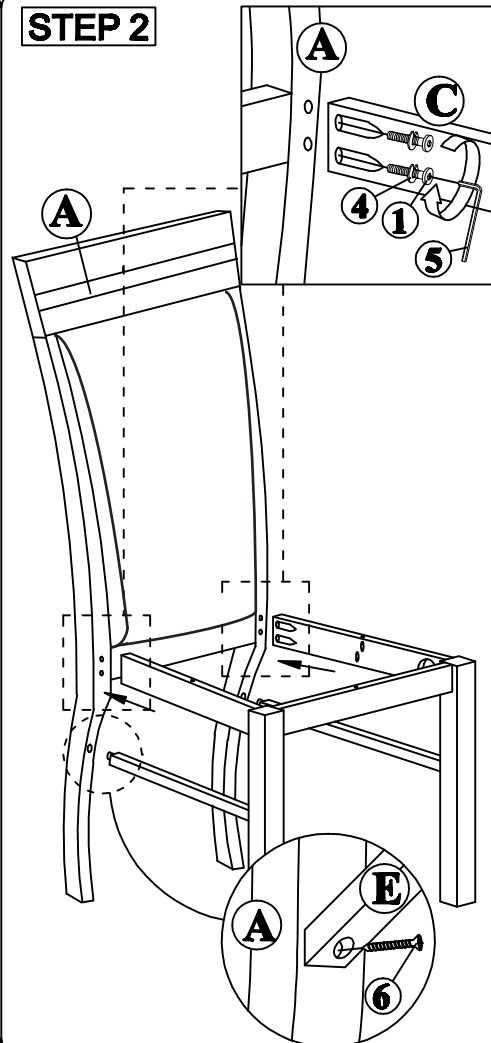
| NO | PART LIST | QTY |
|----|--------------|-----|
| A | BACK REST | 1 |
| B | FRONT LEG | 1 |
| C | SIDE RAIL | 2 |
| D | CUSHION SEAT | 1 |
| E | STRETCHER | 2 |

| NO | DESCRIPTION | QTY |
|----|---|-----|
| 1 | JCBC SCREW M6 X50MM  | 6 |
| 2 | WOOD DOWEL  | 4 |
| 3 | CSK SCREW M4 X 30MM  | 3 |
| 4 | SPRING WASHER  | 6 |
| 5 | M4 ALLEN KEY  | 1 |
| 6 | CSK SCREW M4 X 38MM  | 4 |

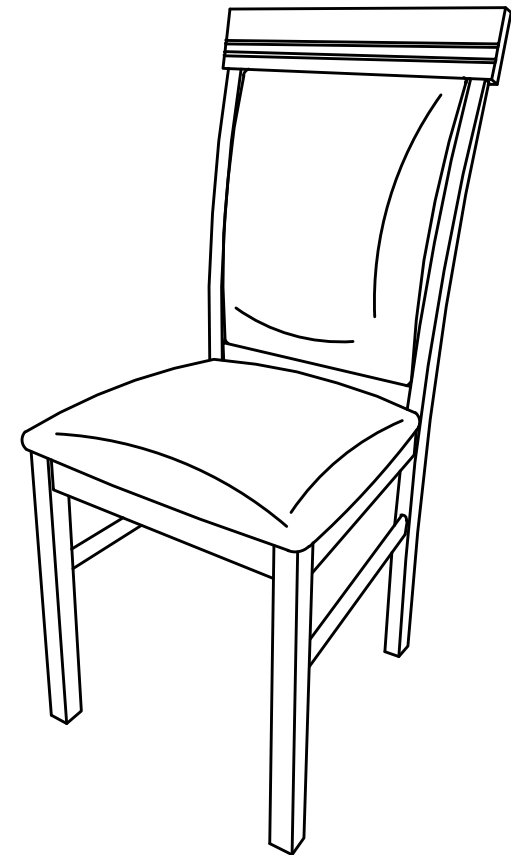
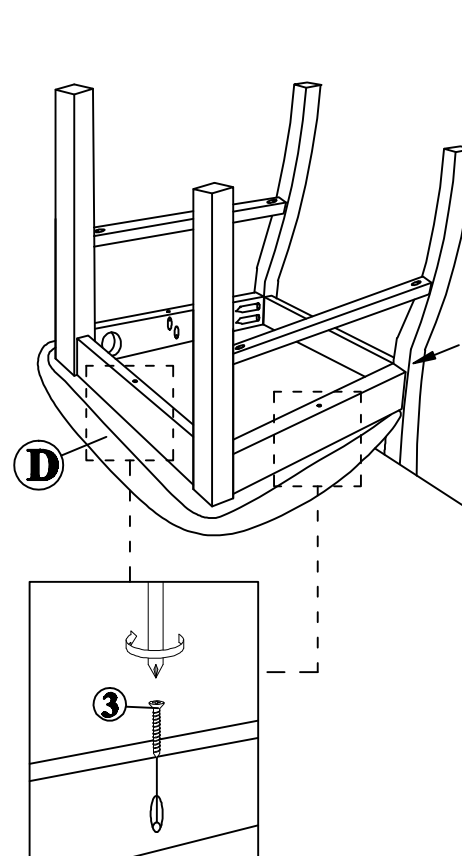
STEP 1



STEP 2



STEP 3



COMPLETED ASSEMBLY