


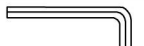


ASSEMBLY INSTRUCTIONS

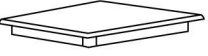
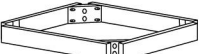

MODEL: PCH 4242SQ(P1)-36

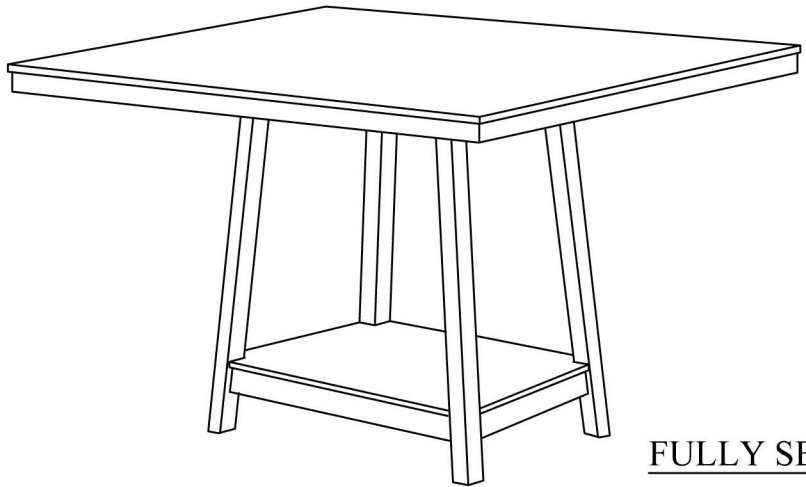
- * PLACE ALL WOODEN PARTS ON A CLEAN AND SMOOTH SURFACE SUCH AS A RUG OR CARPET TO AVOID THE PARTS FROM BEING SCRATCHED.
- * BEFORE YOU BEGIN, KINDLY FOLLOW THE ASSEMBLY INSTRUCTIONS STEP BY STEP.
- * DO NOT TIGHTEN ALL SCREWS UNTIL THE PRODUCT IS FULLY SET-UP.

HARDWARE LIST

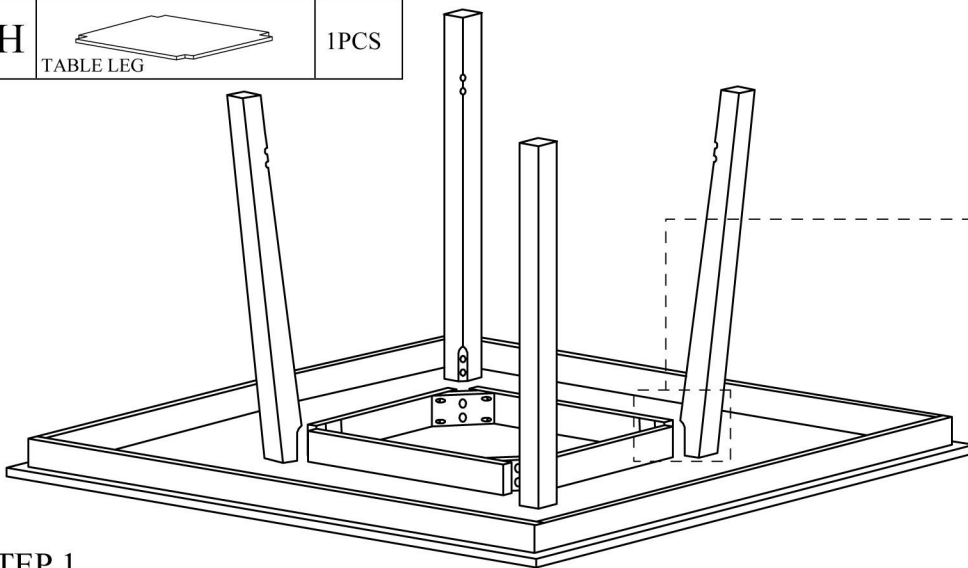
A	FLAT WASHER		16PCS
B	SPRING WASHER		16PCS
C	JCBC BOLT		16PCS
D	ALLEN KEY		1PC

PART LIST

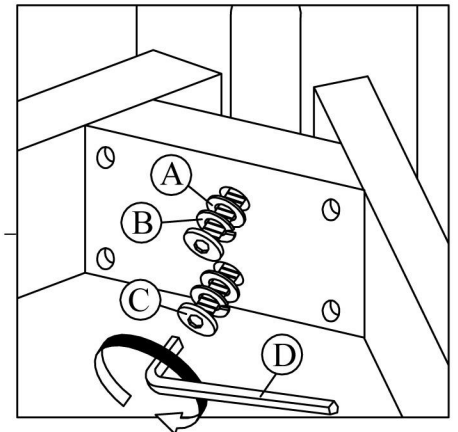
E		1PC
F	TABLE LEG	4PCS
G		1PCS
H		1PCS



FULLY SET UP



STEP 1



STEP 2

