

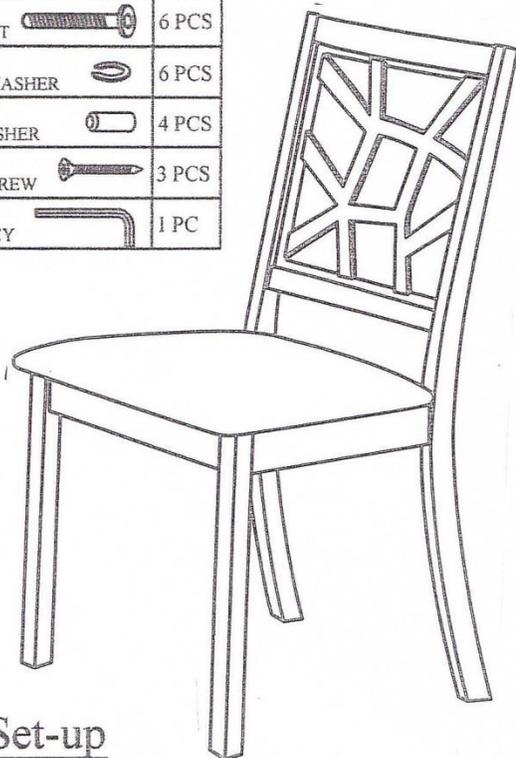
# ASSEMBLY INSTRUCTION

## MODEL : PCH 6339 DINING CHAIR

### IMPORTANT NOTE :

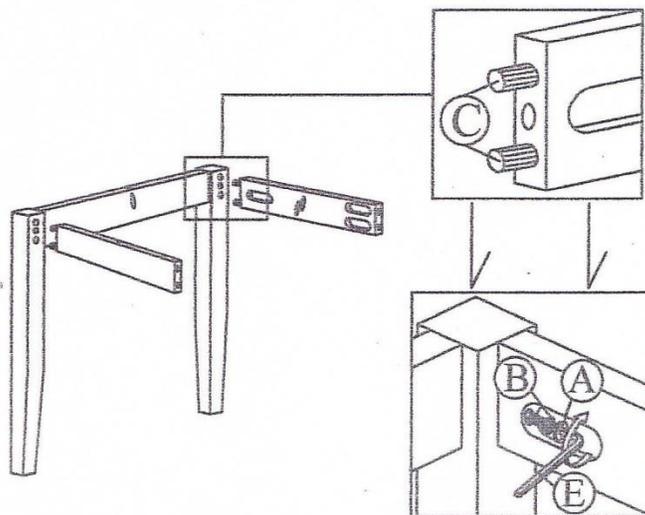
- \* PLACE ALL WOODEN PARTS ON A CLEAN AND SMOOTH SURFACE SUCH AS A RUG OR CARPET TO AVOID THE PARTS FROM BEING SCRATCHED.
- \* BEFORE YOU BEGIN, KINDLY FOLLOW THE ASSEMBLY INSTRUCTIONS STEP BY STEP.
- \* DO NOT TIGHTEN ALL SCREWS UNTIL THE CHAIR IS FULLY SET-UP.

HARDWARE LIST		
NO	DESCRIPTION	QTY
A	JCBC BOLT 	6 PCS
B	SPRING WASHER 	6 PCS
C	FLAT WASHER 	4 PCS
D	WOOD SCREW 	3 PCS
E	ALLEN KEY 	1 PC

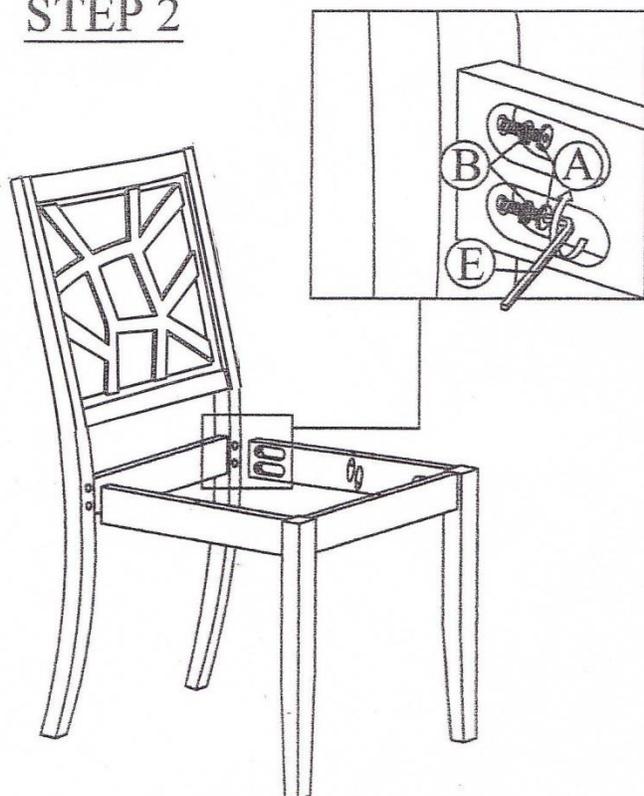


Fully Set-up

### STEP 1



### STEP 2



### STEP 3

