
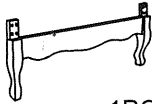












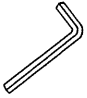


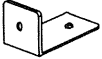


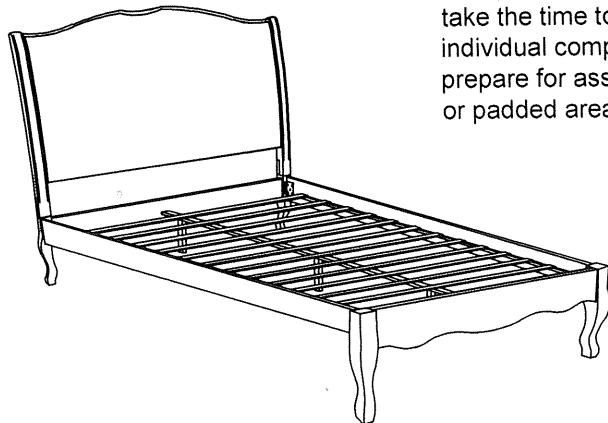


ASSEMBLY INSTRUCTION

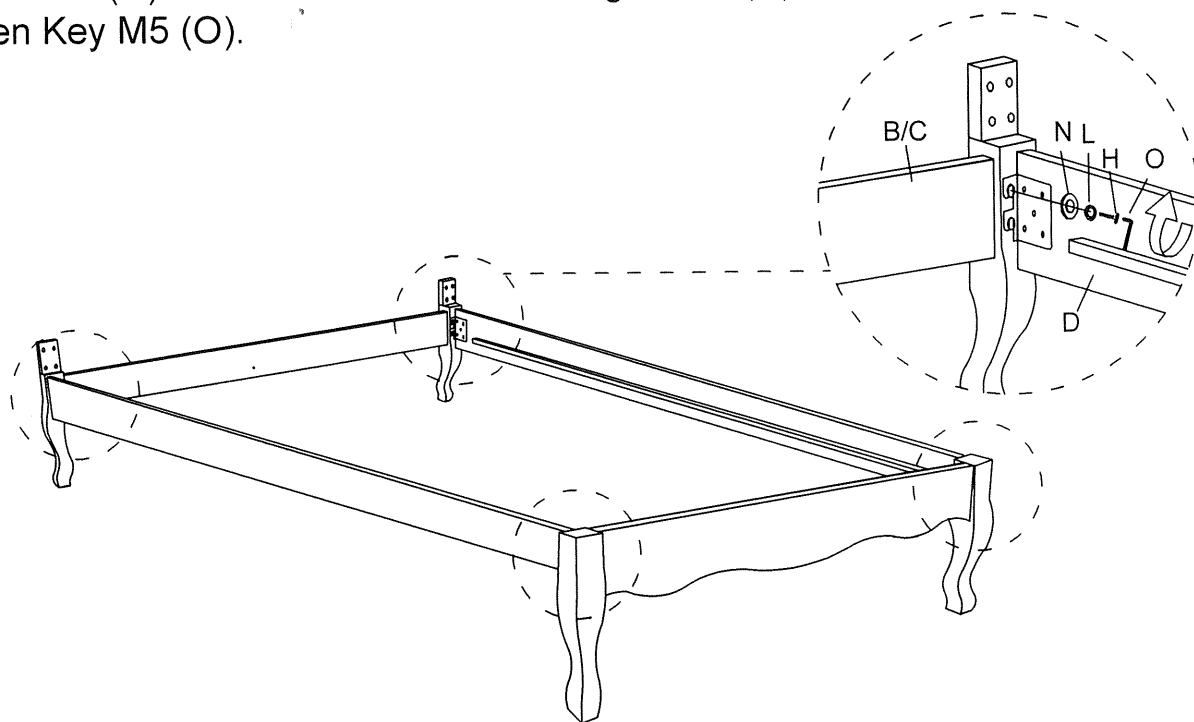
OLIVIA FULL BED / QUEEN BED / KING BED

| | | | |
|--|--|---|---|
|  A HEADBOARD PANEL 1PC |  B HEADBOARD LEG PANEL 1PC |  C FOOTBOARD PANEL 1PC |  D SIDE RAILS 2PCS |
|  E CENTER SUPPORT 1PC |  F SUPPORT LEG 3PCS |  G BED SLATS 1SET (13PCS) |  H JCBB M8 X 25MM 8PCS |
|  I JCBC M6 X 50MM 3PCS |  J JCBC M6 X 45MM 8PCS |  K JCBC M6 X 15MM 4PCS |  L SPRING WASHER M8 8PCS |
|  M SPRING WASHER M6 11PCS |  N FLAT WASHER M8 8PCS |  O ALLEN KEY M5 1PC |  P ALLEN KEY M4 1PC |
|  Q ADJUSTER M6 3PCS |  R L/BRACKET 2PCS |  S CSK M4 X 32MM 26PCS |  T FLAT WASHER M6 3PCS |

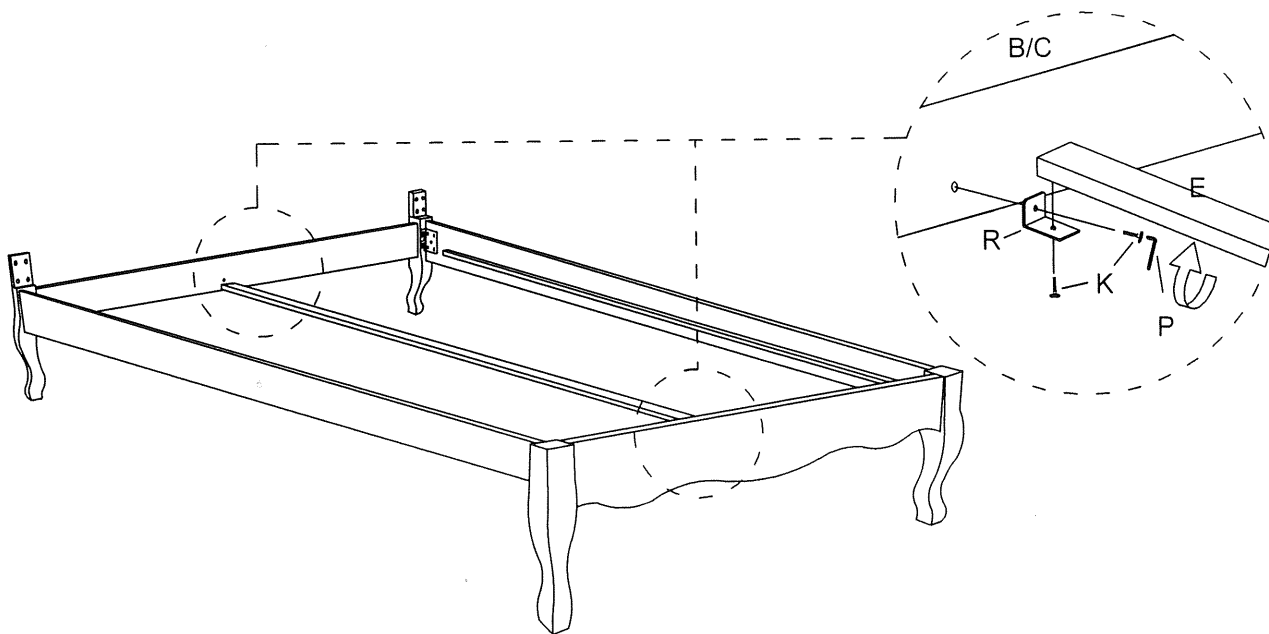


This page lists all the contents included in the box. Please take the time to identify the hardware as well as the individual components to this product. As you unpack and prepare for assembly, place the contents on the carpeted or padded area to protect them from damage.

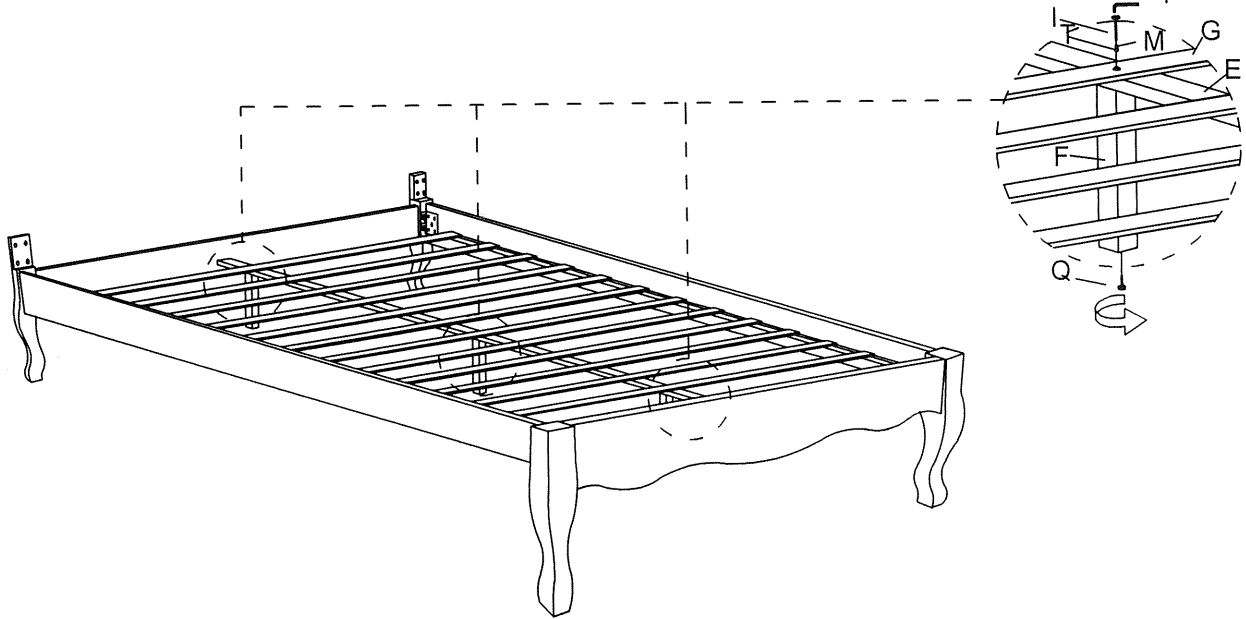
- 1** Insert JCBB M8 X 25mm (H) Flat Washer M8 (N) Spring Washer M8 (L) to Side Rail (D) connection Headboard Leg Panel (B)/Footboard Panel (C) by Allen Key M5 (O).



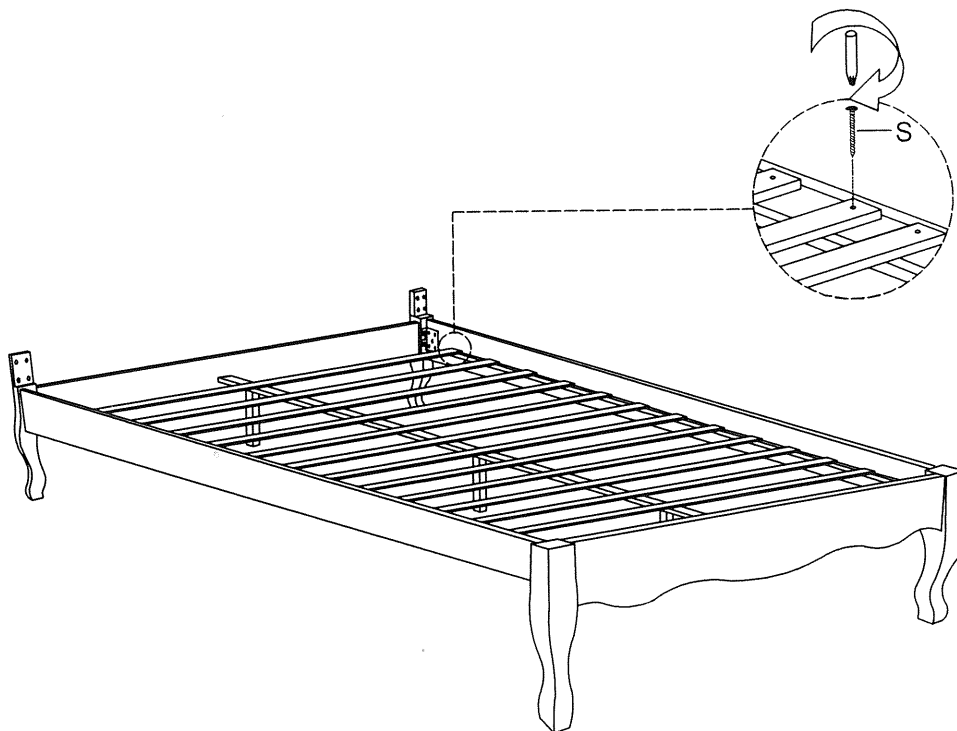
- 2** Insert JCBC M6 X 15mm (K) to L/Bracket (R) to Center Support (E) connection Headboard Leg Panel (B)/Footboard Panel (C) by Allen Key M4 (P).



- 3** Insert JCBC M6 X 50mm (I), Spring Washer M6 (M), Flat Washer M6 (T) to Bed Slats (G) connection Center Support (E) & Support Leg (F) by Allen Key M4 (P) and turn the Adjuster M6 (Q) into the bottom of the Support Leg (F).



- 4** Insert CSK M4 X 32mm (S) to Bed slat (G) connection Side Rail Cleat (D).



5 Insert JCBC M6 X 45mm (J), Spring Washer M6 (M) to Headboard Panel (A) connection Headboard Leg Panel (B) by Allen Key M4 (P).

