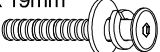


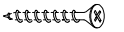


# ASSEMBLY INSTRUCTIONS

## MODEL : MELROSE BARSTOOL

- IMPORTANT NOTE :**
- \* PLACE ALL WOODEN PARTS ON A CLEAN AND SMOOTH SURFACE SUCH AS A RUG OR CARPET TO AVOID THE PARTS FROM BEING SCRATCHED.
  - \* PLEASE FOLLOW ASSEMBLY INSTRUCTIONS STEP BY STEP.
  - \* DO NOT FULLY TIGHTEN ALL SCREWS UNTIL THE CHAIR PARTS HAVE BEEN ASSEMBLED.

HARDWARE LIST		PART LIST			
1	JCBC M6 x 60mm + S/W M6 + F/W M6 x 19mm 	4PCS	A	FRONT LEG ( RIGHT )	1PC
			B	FRONT LEG ( LEFT )	1PC
2	JCBC M6 x 40mm + S/W M6 + F/W M6 x 19mm 	4PCS	C	BACK LEG ( LEFT )	1PC
			D	BACK LEG ( RIGHT )	1PC
3	ALLEN KEY M4 	1PC	E	SIDE RAIL ( RIGHT )	1PC
4	FH SCREW #8 x 32mm 	8PCS	F	SIDE RAIL ( LEFT )	1PC
			G	FRONT RAIL	1PC
			H	BACK RAIL	1PC
			J	CUSHION SEAT	1PC

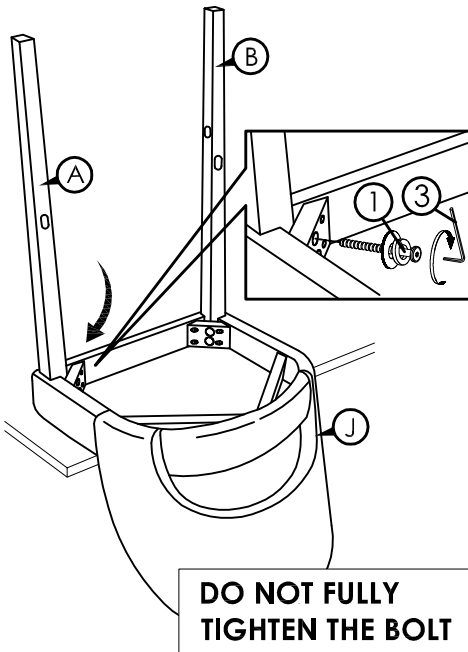
**PLEASE NOTE :**

( 1 ) DO NOT FULLY-TIGHTEN THE NUTS AND BOLTS UNTIL ALL PARTS HAVE BEEN ASSEMBLED.

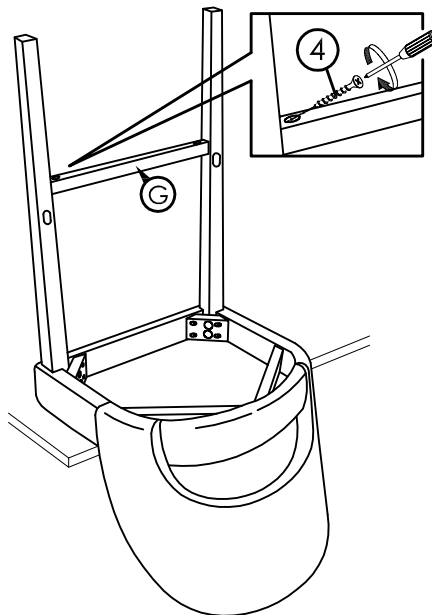
( TO AVOID CAUSING DAMAGE TO THE THREADS, DO NOT OVER-TIGHTEN THE NUTS AND BOLTS. )

( 2 ) KEEP ALL PARTS OUT OF THE REACH OF CHILDREN.

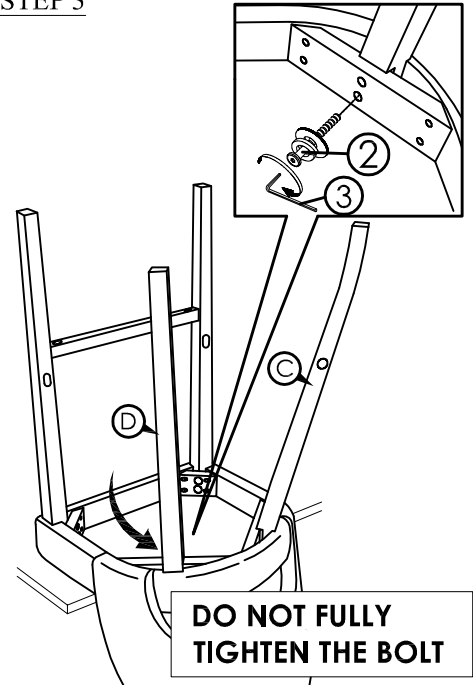
**STEP 1**



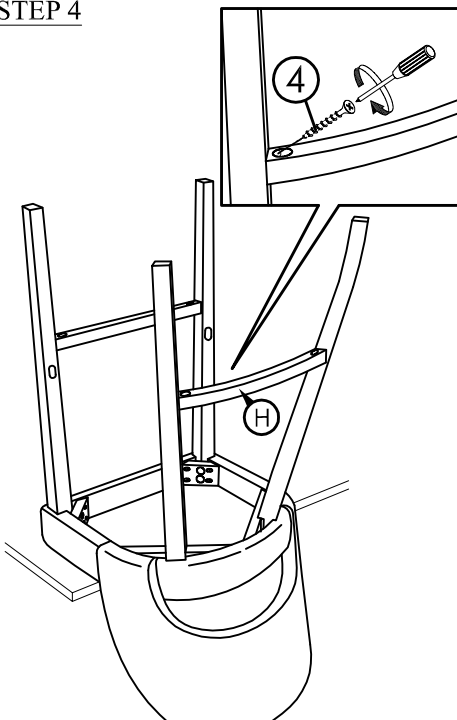
**STEP 2**



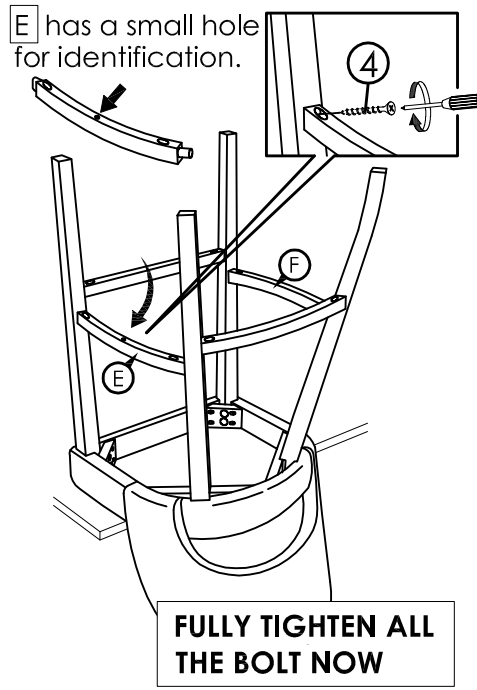
**STEP 3**



**STEP 4**



**STEP 5**



**STEP 6**

