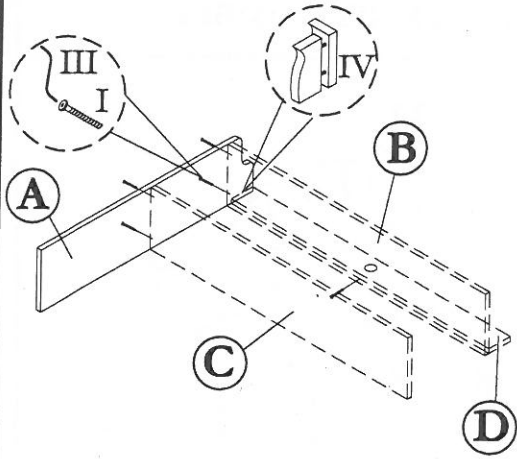


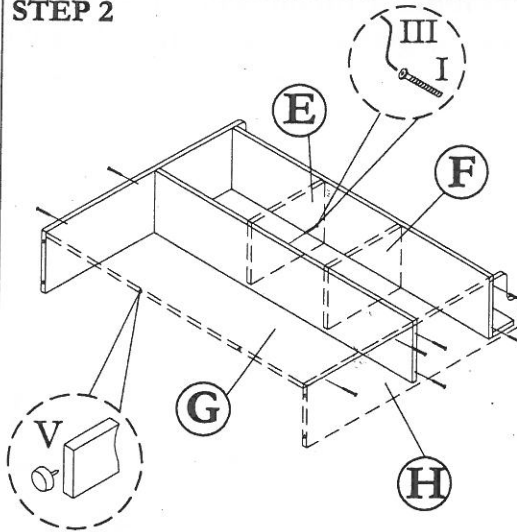
ASSEMBLY INSTRUCTION
MODEL : SBB 2 / SINGLE BED

Before you begin, please follow assembly instruction carefully.
 Then follow them step by step.

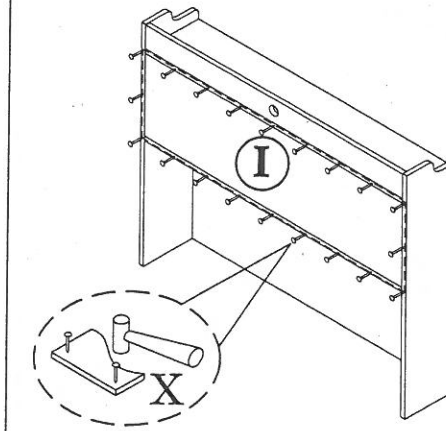
STEP 1



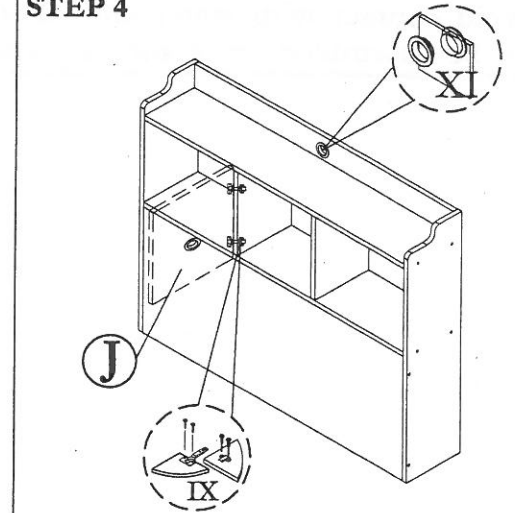
STEP 2



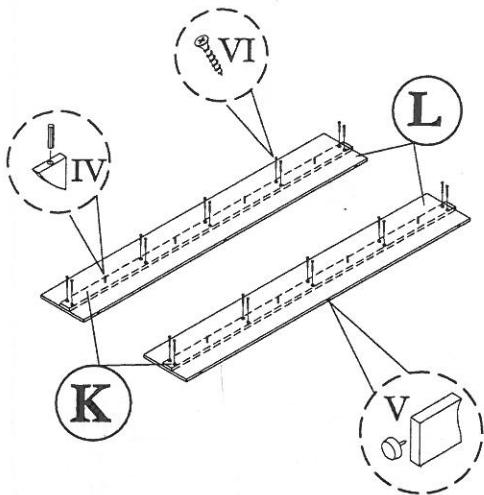
STEP 3



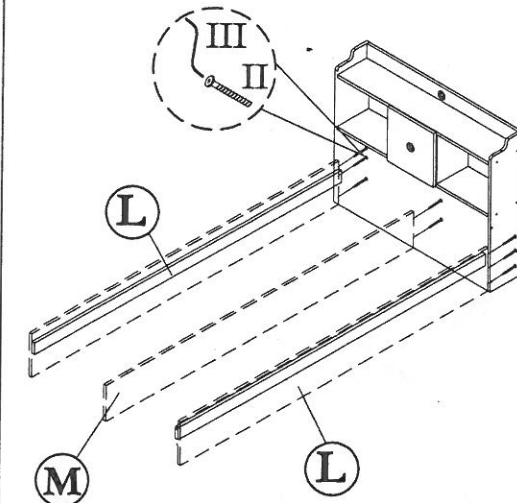
STEP 4



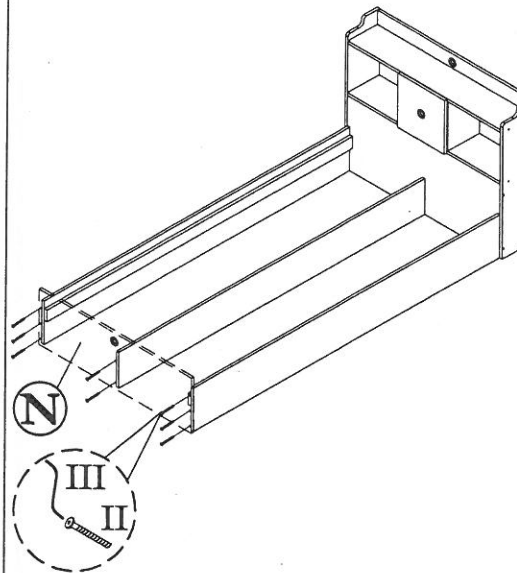
STEP 5



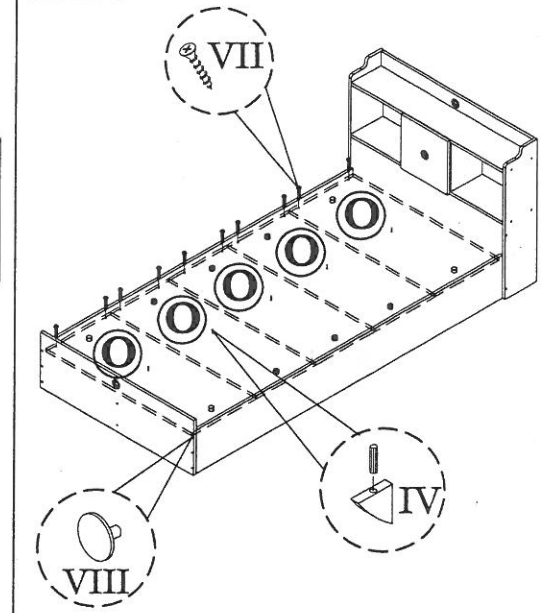
STEP 6



STEP 7



STEP 8



HARDWARE LIST

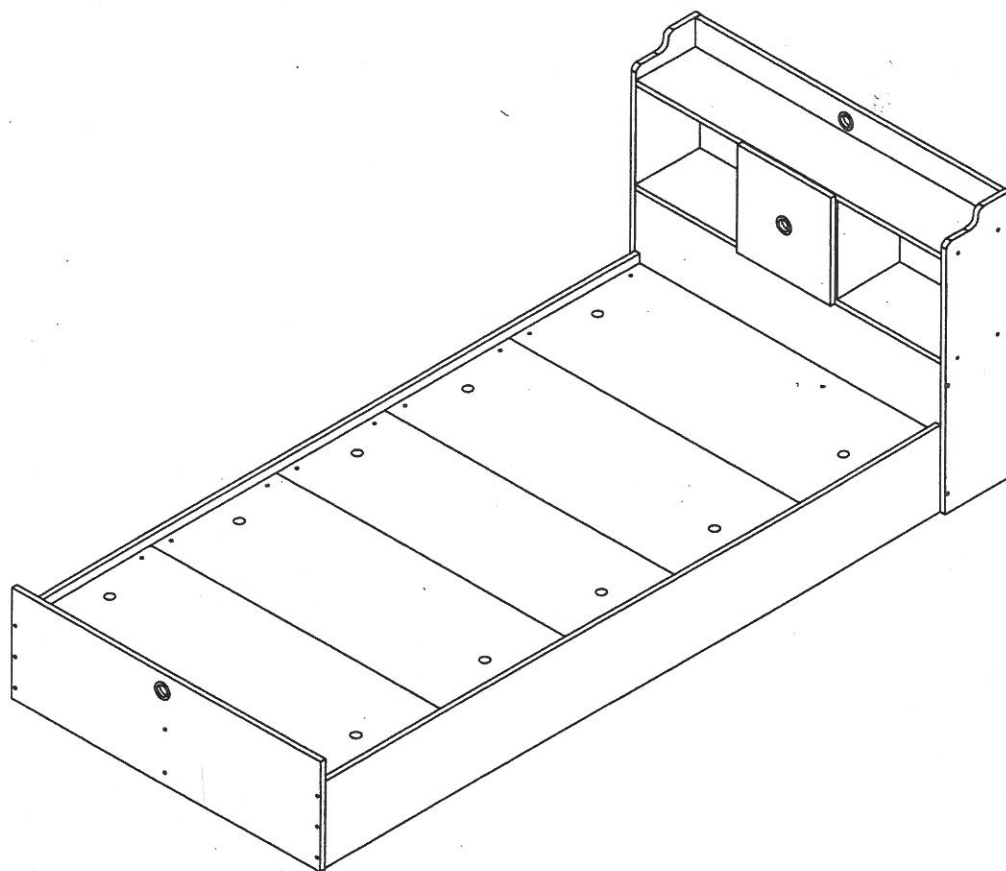
NO	DESCRIPTION	QTY
I	JCBCW SCREW M6 x 45	14pcs
II	JCBCW SCREW M6 x 60	16pcs
III	M4 ALLEN KEY	1pc

IV	M8 x 30 PLASTIC DOWEL	25pcs
V	PVC NAIL WITH PIN	17pcs
VI	M3.5 x 30 CHIPBOARD SCREW	20pcs
VII	M4 x 25 CHIPBOARD SCREW	20pcs
VIII	CAP SMALL	21pcs

IX	HINGE(A) & SCREW M3.5 x 16	2sets
X	NAIL	30pcs
XI	HANDLE	3sets

CAUTION:

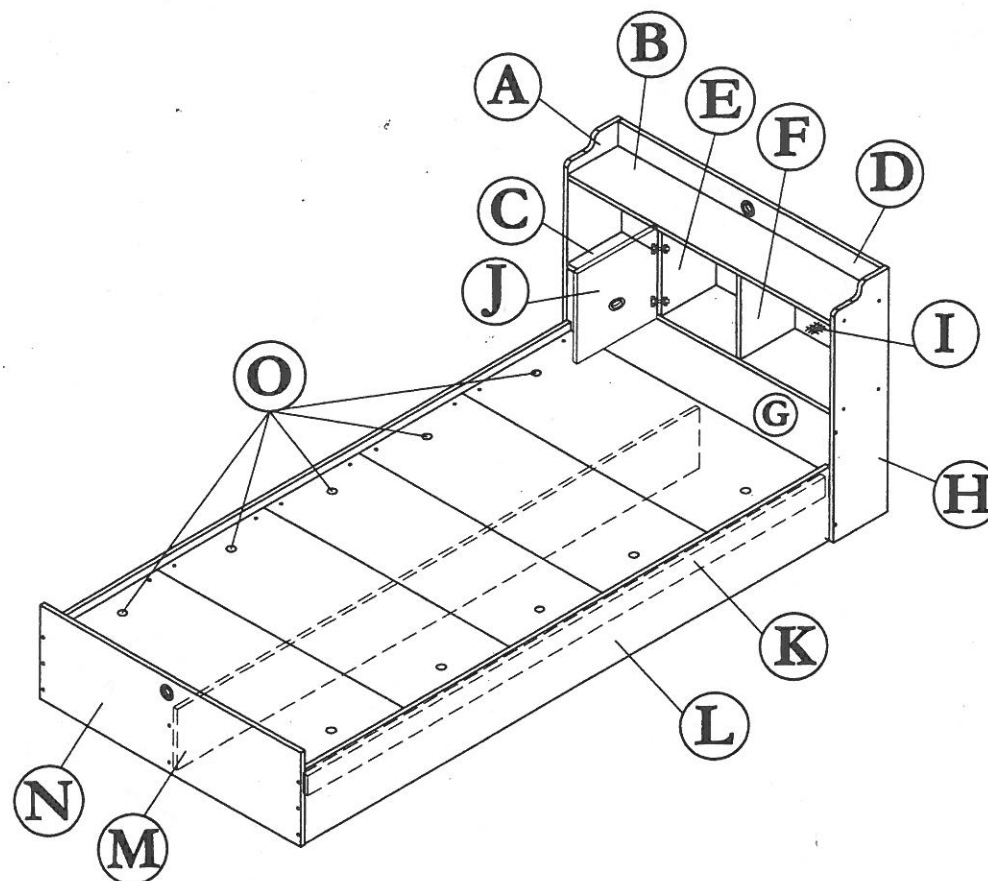
To clean use soft, dry cloth. Do not use detergent or chemicals
 Avoid contact with water and direct sunlight.
 To be assembled on a soft, dry, clean and smooth surface.



COMPLETE SET

ORDERING REPAIR PARTS

In order to obtain smooth and rapid service when ordering repair parts,
 please give full attention to the following of PART NUMBER.



NO	DESCRIPTION	QTY
A	LEFT SIDE (Head)	01
B	UPPER SHELF (Head)	01
C	CENTRE SHELF (Head)	01
D	HORIZONTAL SHELF (Head)	01
E	CENTRE SHELF (Head)	01
F	CENTRE VERTICAL (Head)	01
G	BACK VERTICAL (Head)	01
H	RIGHT SIDE (Head)	01

NO	DESCRIPTION	QTY
I	BACK (Head)	01
J	DOOR	01
K	SIDE SUPPORT (Body)	02
L	SIDE (Body)	02
M	CENTRE VERTICAL (Body)	01
N	FRONT VERTICAL (Head)	01
O	DECORATIVE BOARD (Big)	05