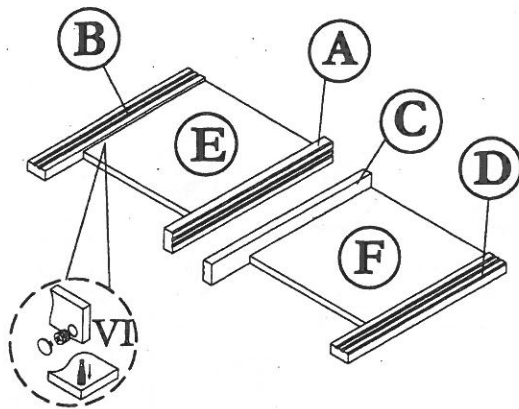


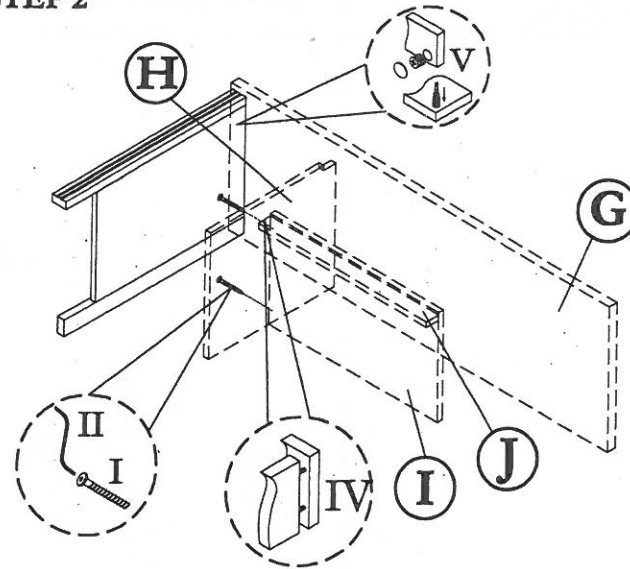
**ASSEMBLY INSTRUCTION**  
**MODEL : 8120 / TV CABINET**

Before you begin, please follow assembly instruction carefully.  
 Then follow them step by step.

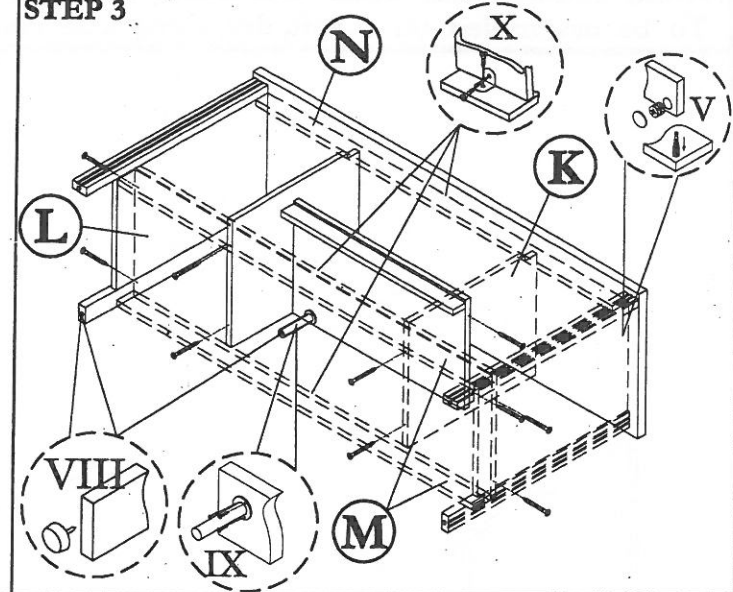
**STEP 1**



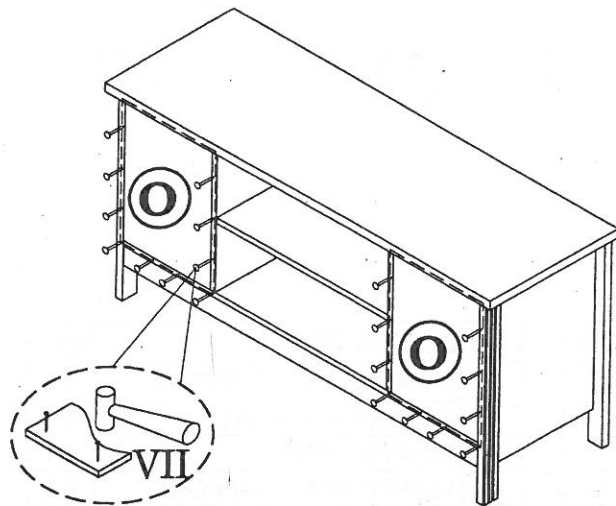
**STEP 2**



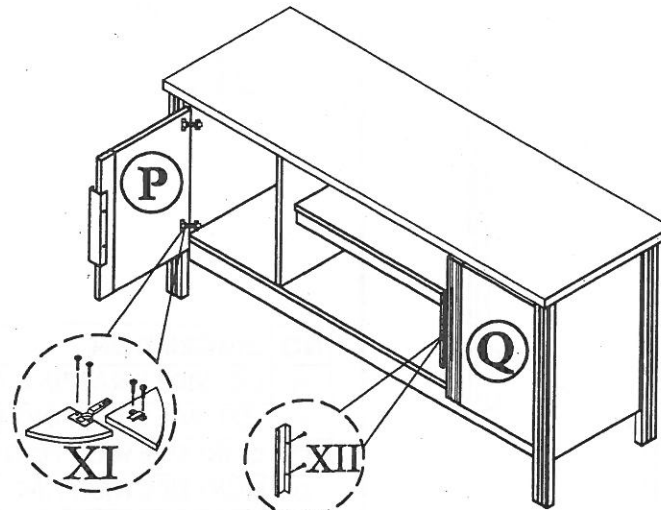
**STEP 3**



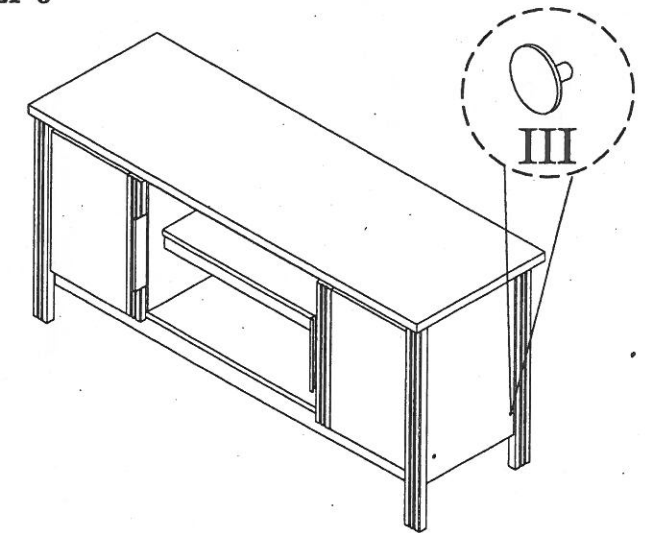
**STEP 4**



**STEP 5**



**STEP 6**



HARDWARE LIST			
NO	DESCRIPTION		QTY
I	JCBCW SCREW M6 x 45		12pcs
II	M4 ALLEN KEY		1pc
III	CAP SMALL		4pcs

IV	M8 x 30 PLASTIC DOWEL		16pcs
V	Q-FIT		8sets
VI	Q-FIT (small)		8sets
VII	NAIL		20pcs
VIII	PVC NAIL WITH PIN		5pcs

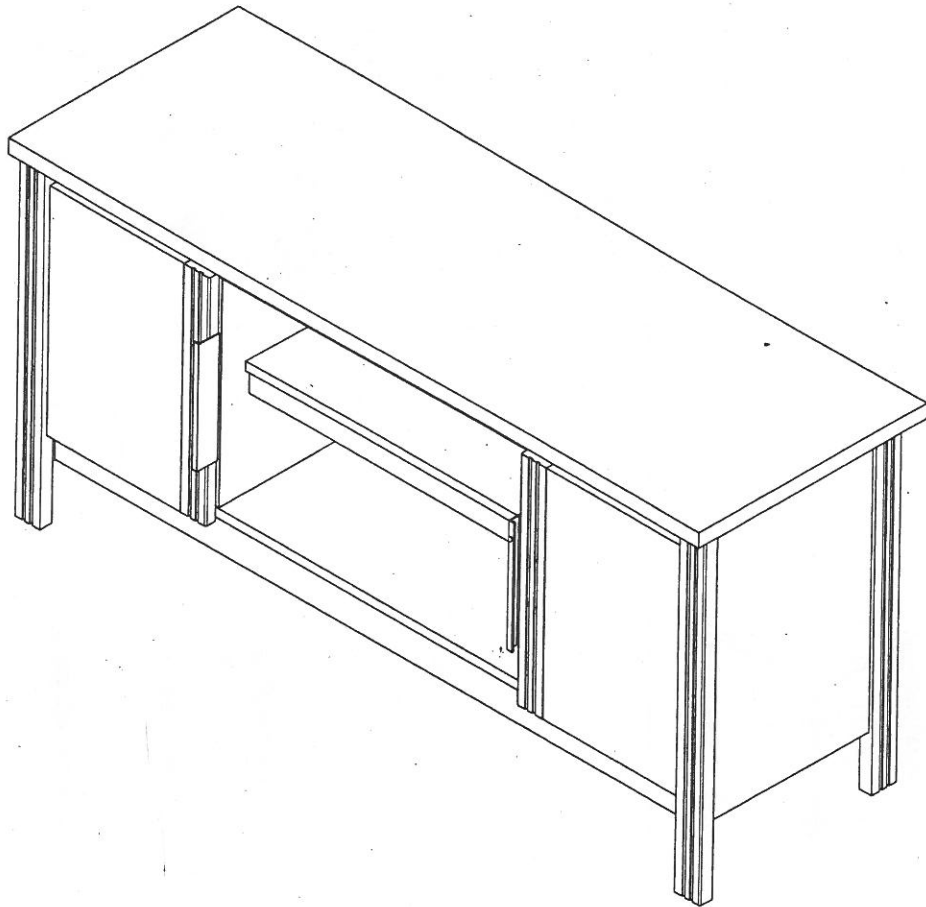
IX	PLASTIC LEG & SCREW M3.5 x 16		1sets
X	L BRACKET & SCREW M3.5 x 12		3sets
XI	HINGE (C) & SCREW M3.5 x 16		4sets
XII	HANDLE & SCREW M3.5 x 12		2sets

**CAUTION:**

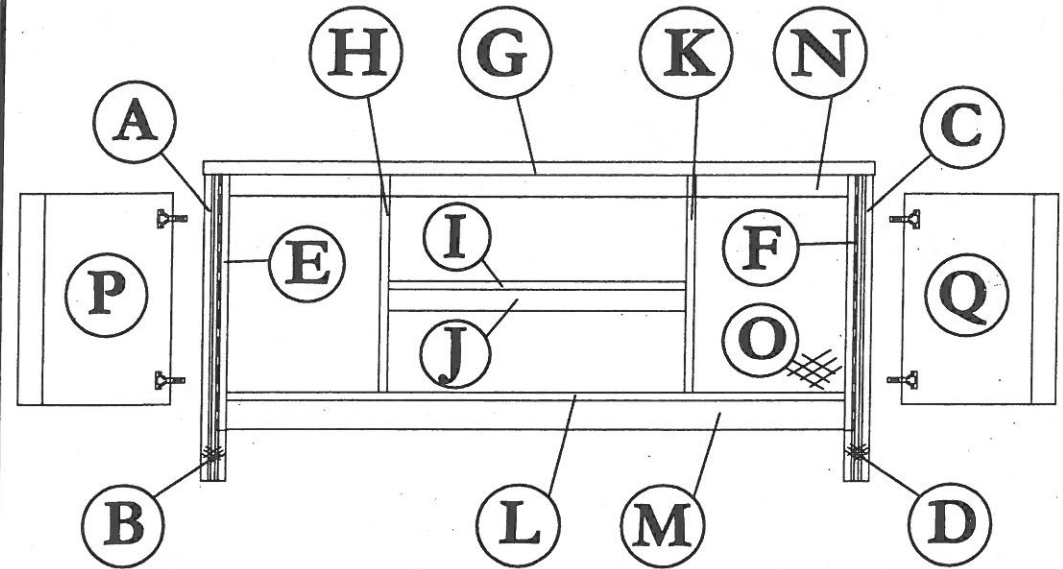
To clean use soft, dry cloth. Do not use detergent or chemicals  
 Avoid contact with water and direct sunlight.  
 To be assembled on a soft, dry, clean and smooth surface.

**ORDERING REPAIR PARTS**

In order to obtain smooth and rapid service when ordering repair parts,  
 please give full attention to the following of PART NUMBER.



# COMPLETE SET



NO	DESCRIPTION	QTY
A	LEFT SIDE WRAPPING (Front)	01
B	LEFT SIDE WRAPPING (Back)	01
C	RIGHT SIDE WRAPPING (Front)	01
D	RIGHT SIDE WRAPPING (Back)	01
E	LEFT SIDE	01
F	RIGHT SIDE	01
G	TOP	01
H	CENTRE VERTICAL	01
I	CENTRE SHELF	01

NO	DESCRIPTION	QTY
J	CENTRE SHELF SUPPORT	01
K	CENTRE VERTICAL	01
L	LOWER SHELF	01
M	LOWER SHELF SUPPORT	02
N	TOP SUPPORT	01
O	BACK	02
P	LEFT SIDE DOOR	01
Q	RIGHT SIDE DOOR	01