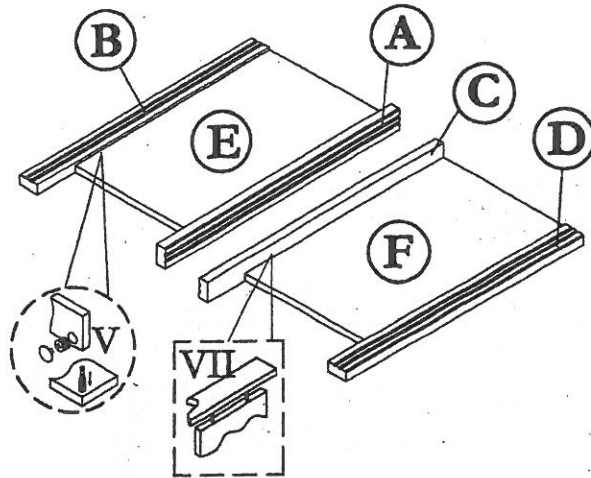


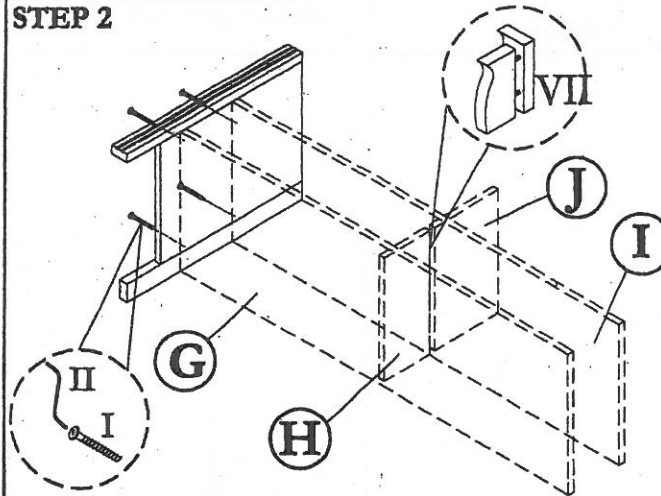
ASSEMBLY INSTRUCTION
MODEL : 8119 / TV CABINET

Before you begin, please follow assembly instruction carefully.
 Then follow them step by step.

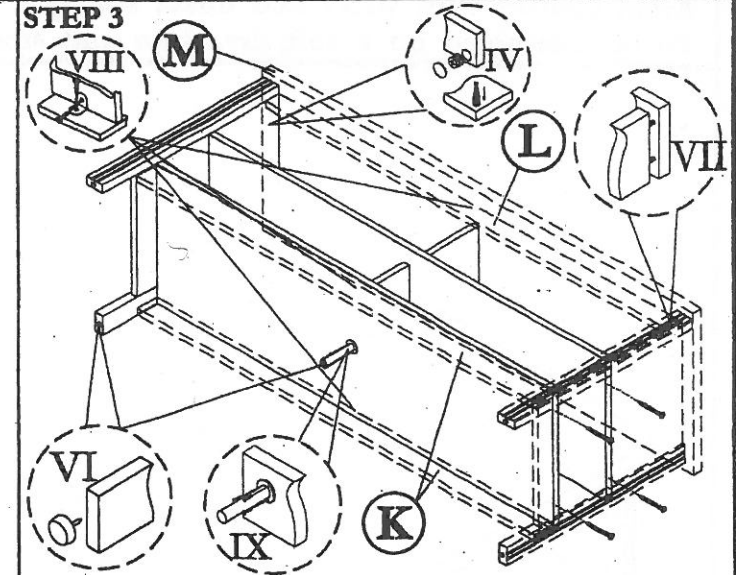
STEP 1



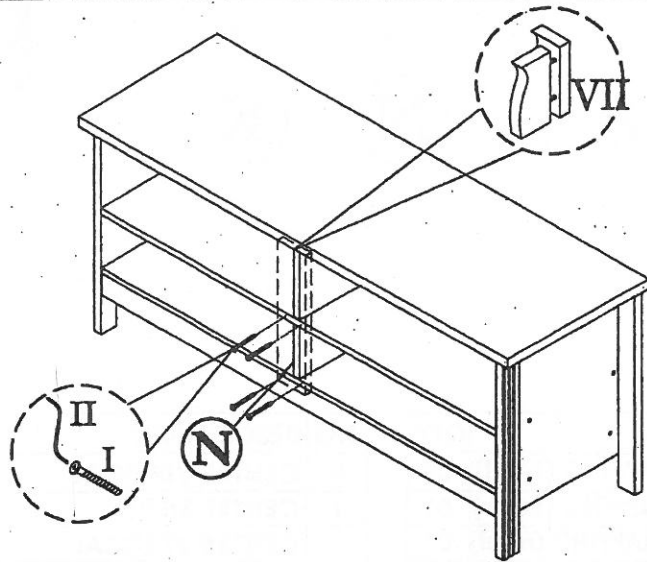
STEP 2



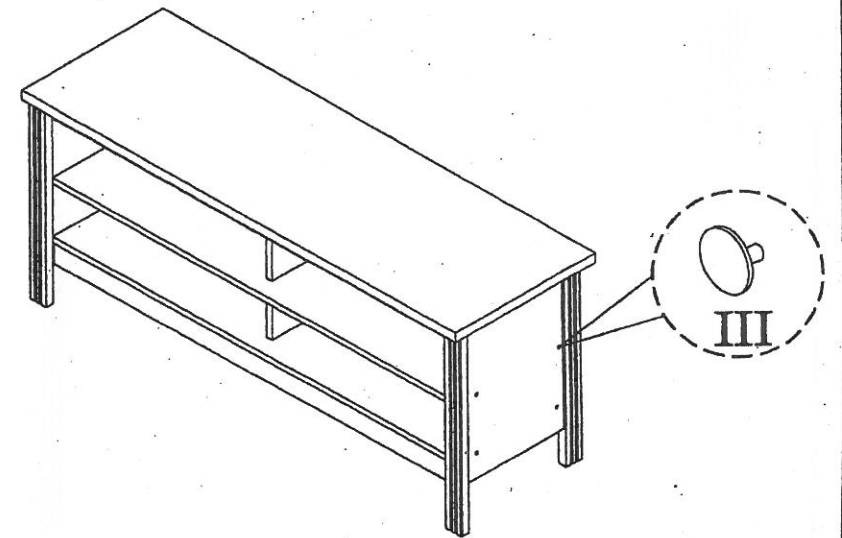
STEP 3



STEP 4



STEP 5



HARDWARE LIST		
NO	DESCRIPTION	QTY
I	JCBCW SCREW M6 x 45	12pcs
II	M4 ALLEN KEY	1pc

III	CAP SMALL	8pcs
IV	Q-FIT	4sets
V	Q-FIT (small)	8sets
VI	PVC NAIL WITH PIN	5pcs

VII	M8 x 30 PLASTIC DOWEL	24pcs
VIII	L BRACKET & SCREW M3.5 x 12	3sets
IX	PLASTIC LEG & SCREW M3.5 x 16	1sets

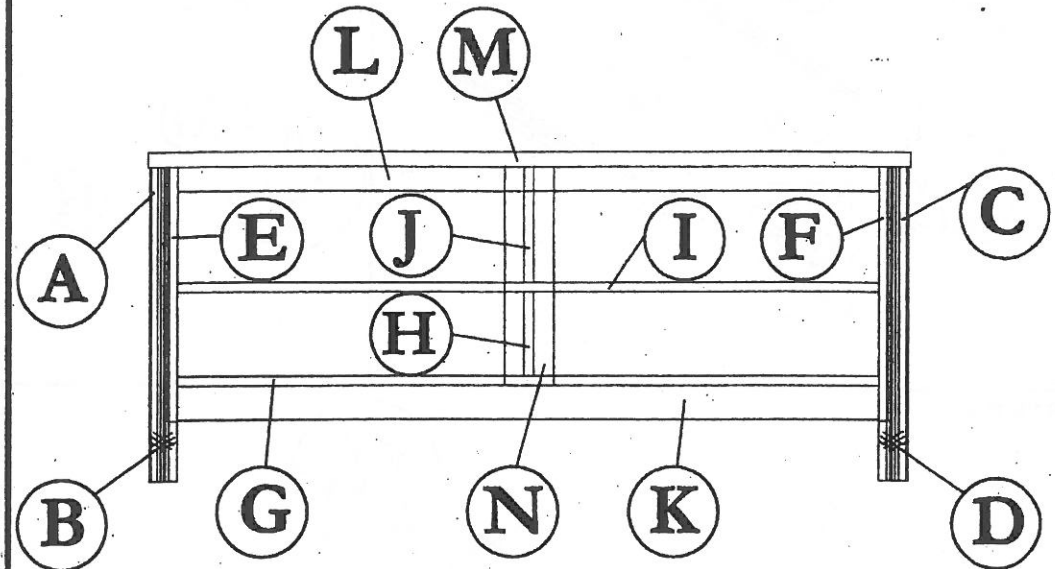
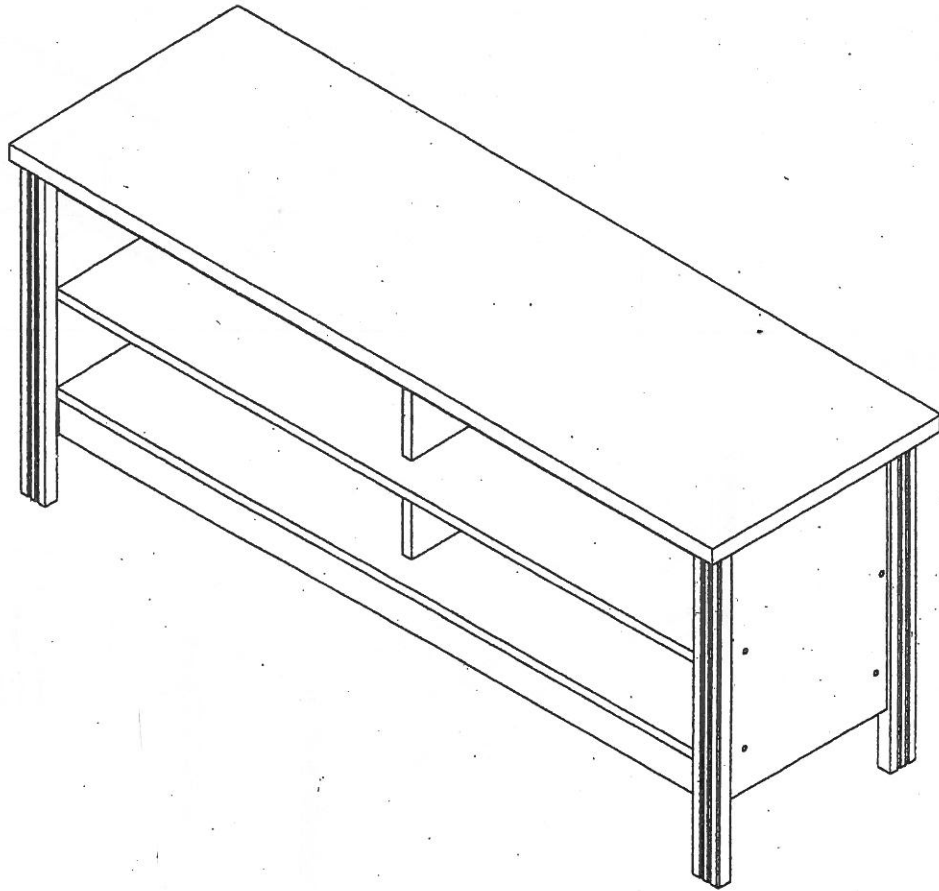
CAUTION:

To clean use soft, dry cloth. Do not use detergent or chemicals
 Avoid contact with water and direct sunlight.

To be assembled on a soft, dry, clean and smooth surface.

ORDERING REPAIR PARTS

In order to obtain smooth and rapid service when ordering repair parts,
 please give full attention to the following of PART NUMBER.



COMPLETE SET

NO	DESCRIPTION	QTY
A	LEFT SIDE WRAPPING (Front)	01
B	LEFT SIDE WRAPPING (Back)	01
C	RIGHT SIDE WRAPPING (Front)	01
D	RIGHT SIDE WRAPPING (Back)	01
E	LEFT SIDE	01
F	RIGHT SIDE	01
G	LOWER SHELF	01

NO	DESCRIPTION	QTY
H	CENTRE VERTICAL	01
I	CENTRE SHELF	01
J	CENTRE VERTICAL	01
K	LOWER SHELF SUPPORT	02
L	TOP SUPPORT	01
M	TOP	01
N	BACK	01