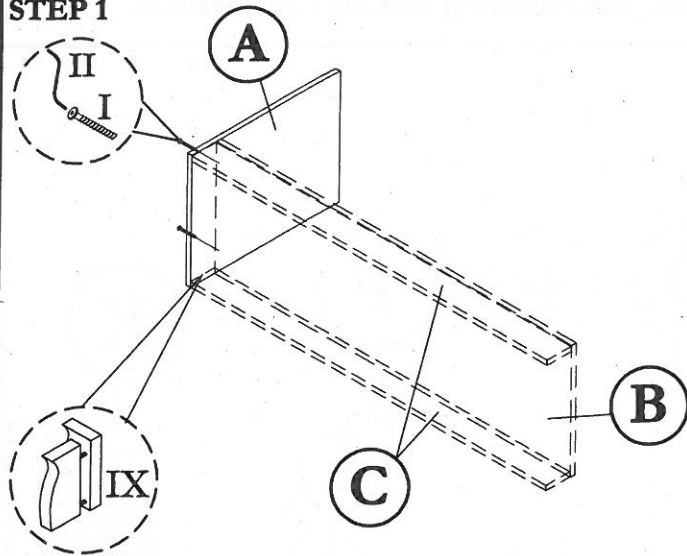


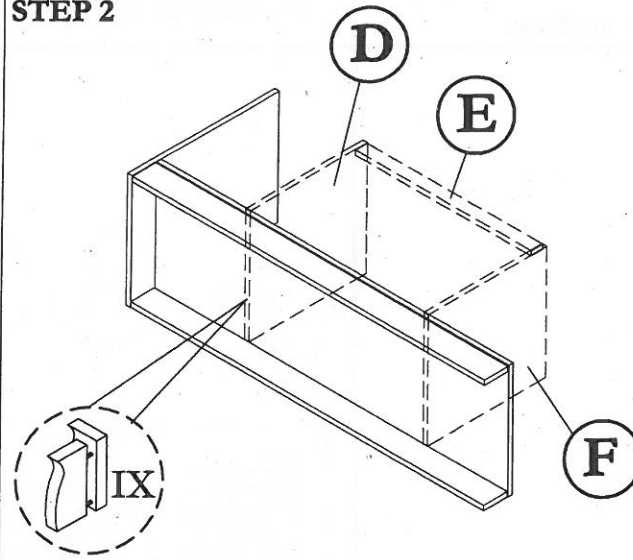
ASSEMBLY INSTRUCTION
MODEL : 8070 / TV CABINET

Before you begin, please follow assembly instruction carefully.
 Then follow them step by step.

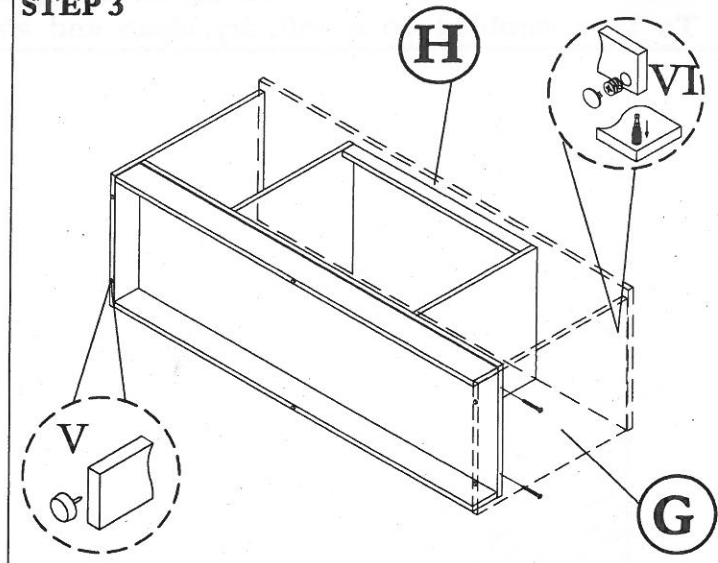
STEP 1



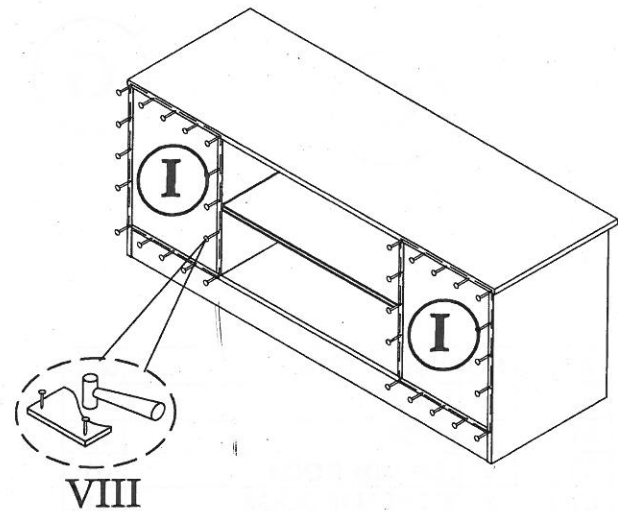
STEP 2



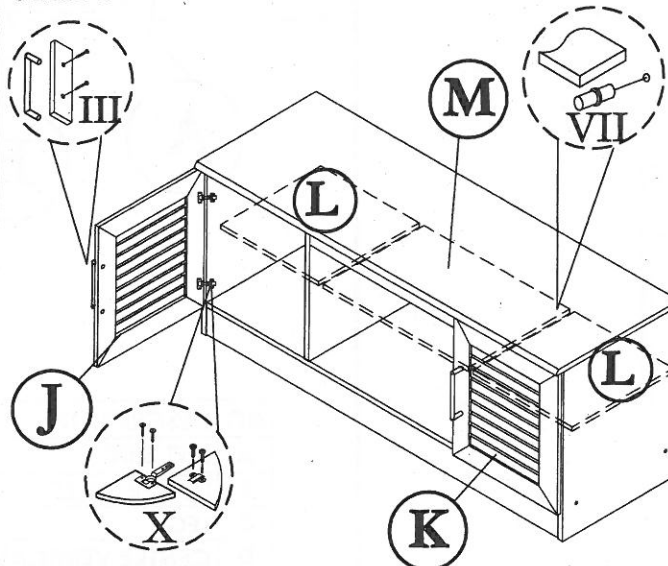
STEP 3



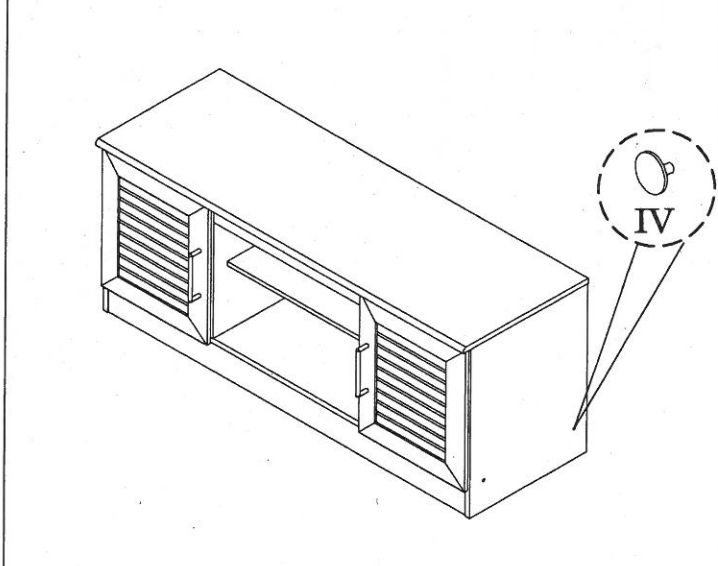
STEP 4



STEP 5



STEP 6



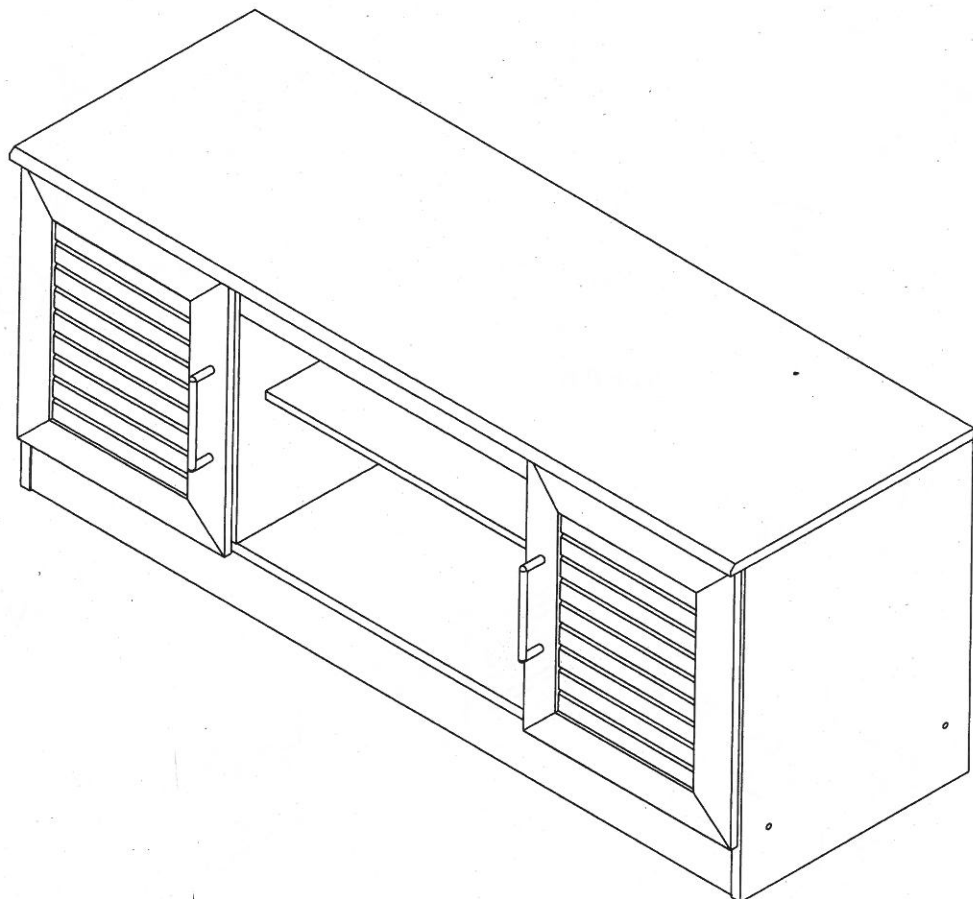
HARDWARE LIST			
NO	DESCRIPTION		QTY
I	JCBCW SCREW M6 x 45		4pcs
II	M4 ALLEN KEY		1pc
III	HANDLE & SCREW M3.5 x 30		2sets

IV	CAP SMALL		4pcs
V	PVC NAIL WITH PIN		6pcs
VI	Q-FIT		4sets
VII	PVC SHELF SUPPORT		12pcs
VIII	NAIL		50pcs

IX	M8 x 30 PLASTIC DOWEL		20pcs
X	HINGE (A) & SCREW M3.5 x 16		4sets

CAUTION:

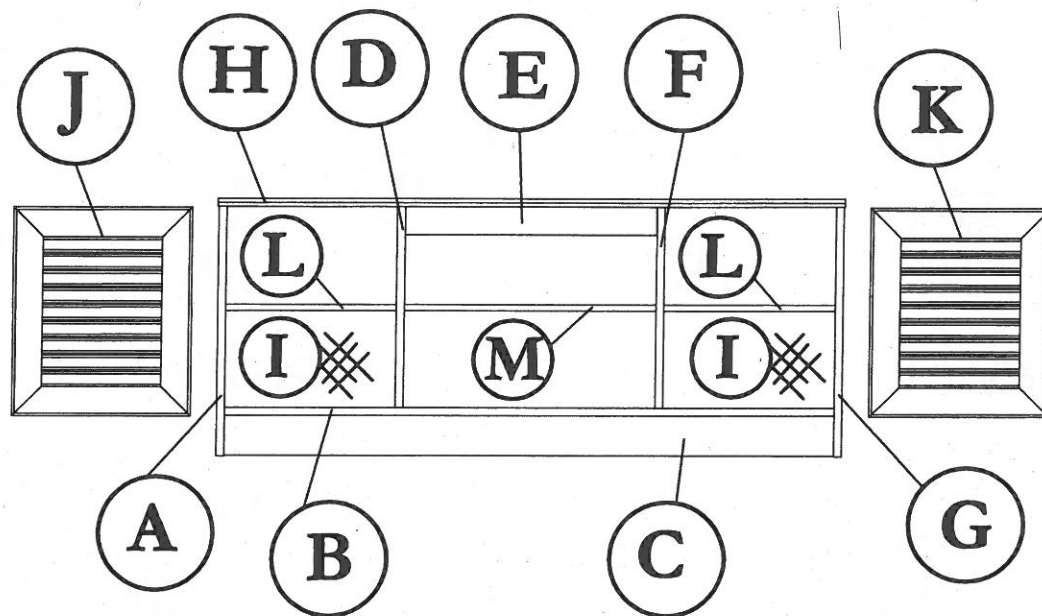
To clean use soft, dry cloth. Do not use detergent or chemicals
 Avoid contact with water and direct sunlight.
 To be assembled on a soft, dry, clean and smooth surface.



COMPLETE SET

ORDERING REPAIR PARTS

In order to obtain smooth and rapid service when ordering repair parts, please give full attention to the following of PART NUMBER.



NO	DESCRIPTION	QTY
A	LEFT SIDE	01
B	LOWER SHELF	01
C	LEG	02
D	CENTRE VERTICAL	01
E	TOP SUPPORT	01
F	CENTRE VERTICAL	01
G	RIGHT SIDE	01

NO	DESCRIPTION	QTY
H	TOP	01
I	BACK	02
J	LEFT SIDE DOOR	01
K	RIGHT SIDE DOOR	01
L	MOVABLE SHELF	02
M	MOVABLE SHELF	01