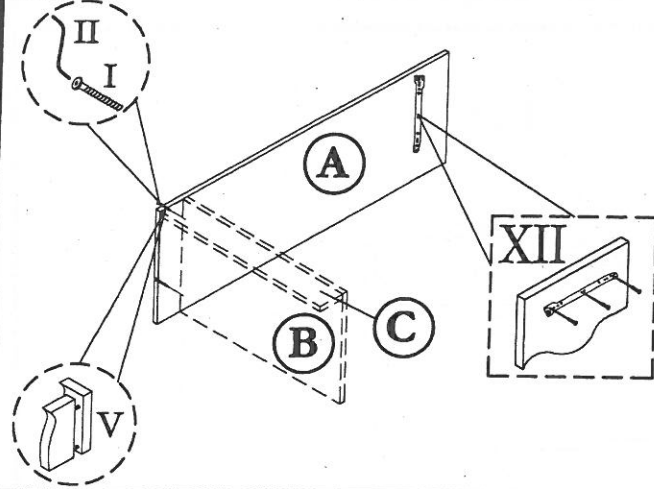


ASSEMBLY INSTRUCTION

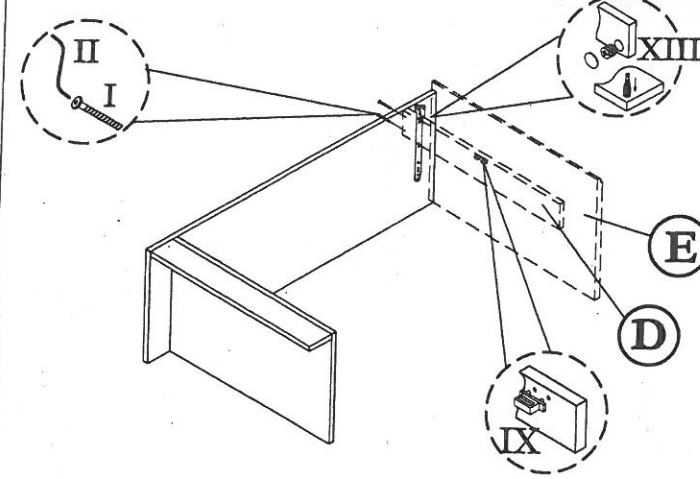
MODEL : 7021 / SHOE RACK

Before you begin, please follow assembly instruction carefully.
Then follow them step by step.

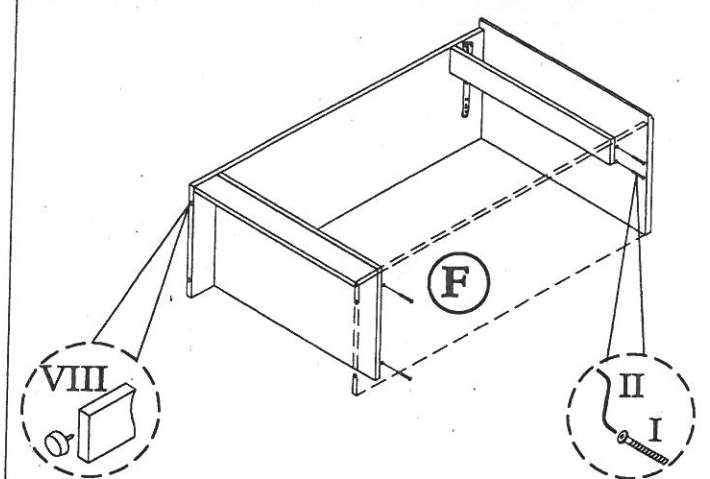
STEP 1



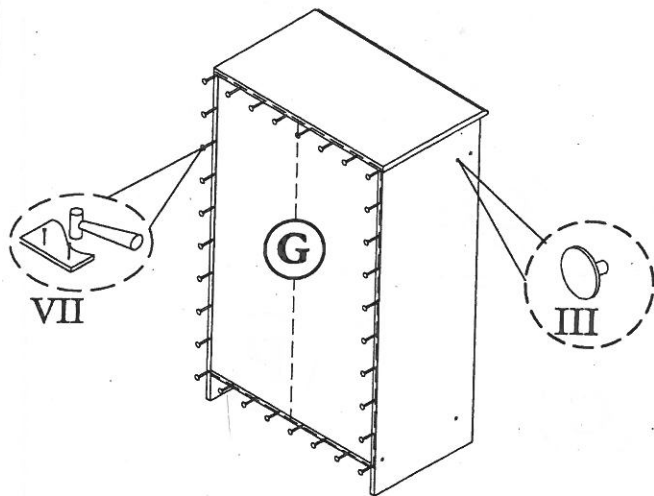
STEP 2



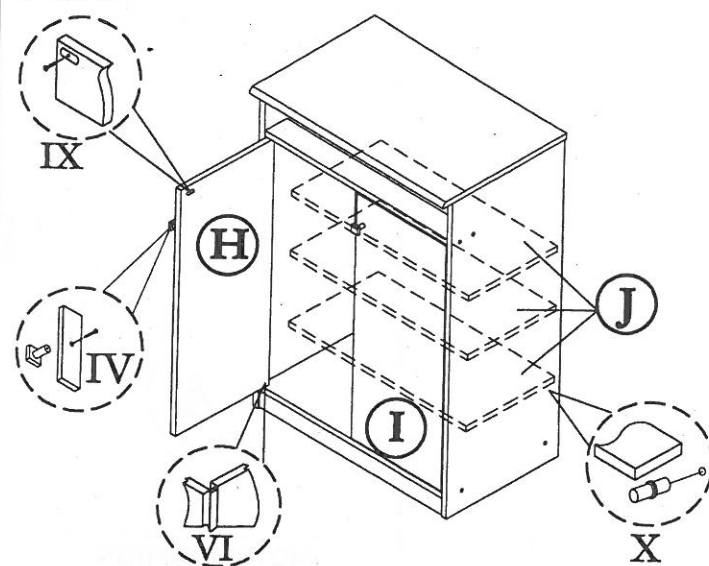
STEP 3



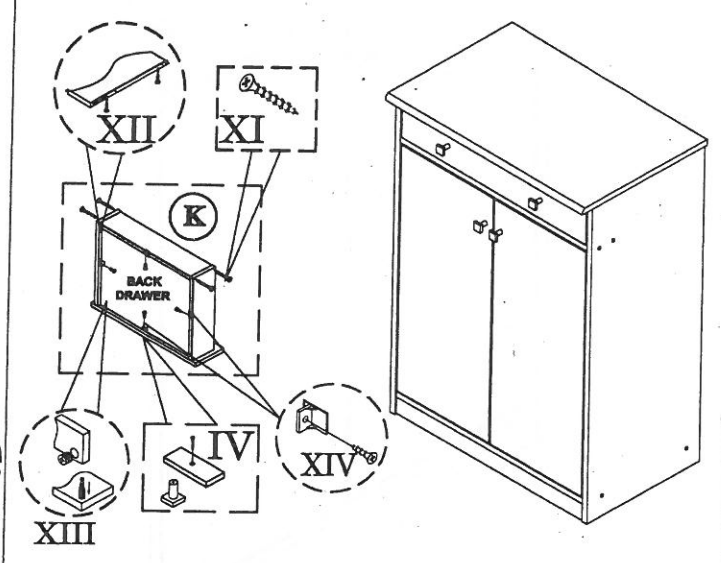
STEP 4



STEP 5



STEP 6



HARDWARE LIST

NO	DESCRIPTION		QTY
I	JCBCW SCREW M6 x 45		8pcs
II	M4 ALLEN KEY		1pc
III	CAP SMALL		8pcs
IV	HANDLE & SCREW M3.5 x 30		4sets
V	M8 x 30 PLASTIC DOWEL		6pcs

VI	SPRING DOOR SUPPORT		4pcs
VII	NAIL		40pcs
VIII	PVC NAIL WITH PIN		4pcs
IX	MAGNET WITH PLATE & SCREW		2sets
X	PVC SHELF SUPPORT		12pcs
XI	M8 x 32 CHIPBOARD SCREW		4pcs
XII	DRAWER SLIDER & SCREW M3.5 x 12		1sets

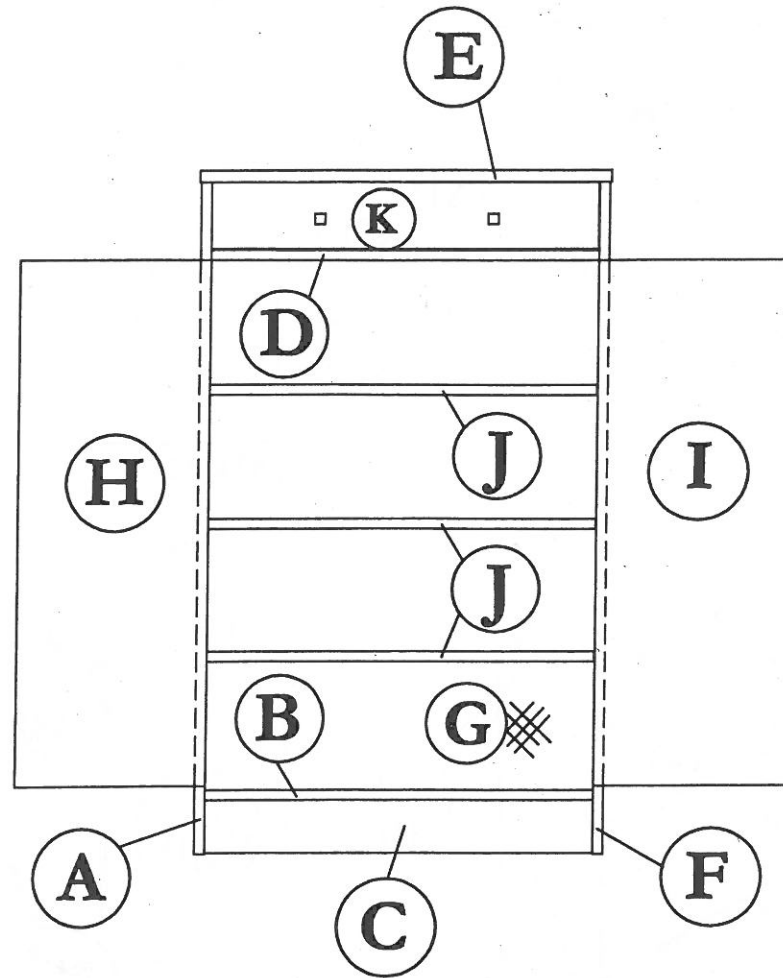
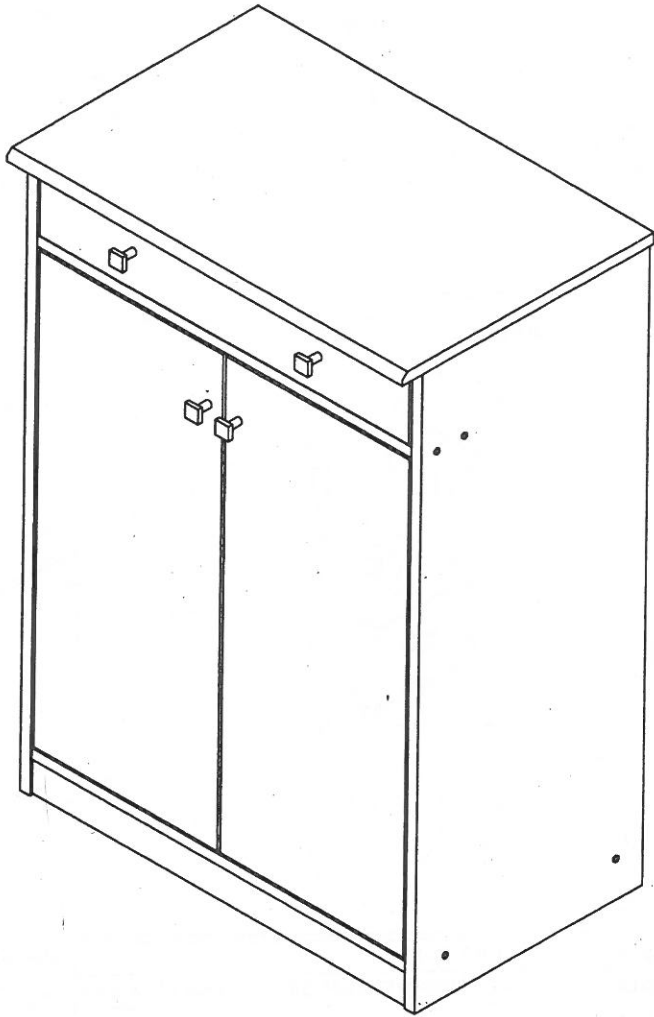
XIII	Q-FIT		6sets
XIV	DRAWER SUPPORT & SCREW M3.5 x 12		4sets

CAUTION:

To clean use soft, dry cloth. Do not use detergent or chemicals
Avoid contact with water and direct sunlight.
To be assembled on a soft, dry, clean and smooth surface.

ORDERING REPAIR PARTS

In order to obtain smooth and rapid service when ordering repair parts,
please give full attention to the following of PART NUMBER.



COMPLETE SET

NO	DESCRIPTION	QTY
A	LEFT SIDE	01
B	LOWER SHELF	01
C	LEG	01
D	HORIZONTAL SHELF	01
E	TOP	01
F	RIGHT SIDE	01

NO	DESCRIPTION	QTY
G	BACK	02
H	LEFT SIDE DOOR	01
I	RIGHT SIDE DOOR	01
J	MOVABLE SHELF	03
K	DRAWER FACE	01