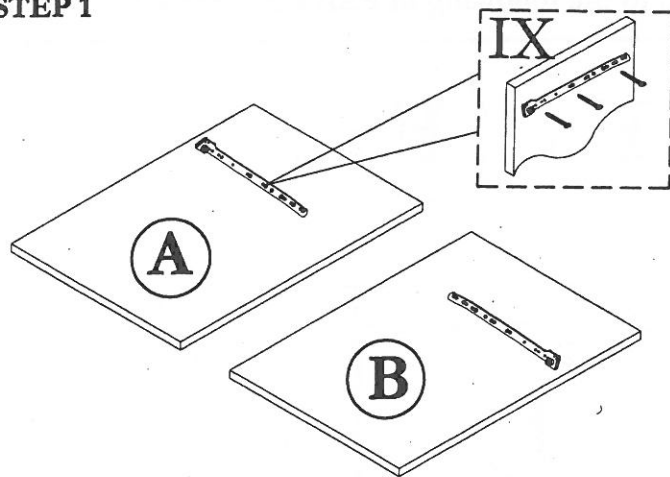


# ASSEMBLY INSTRUCTION

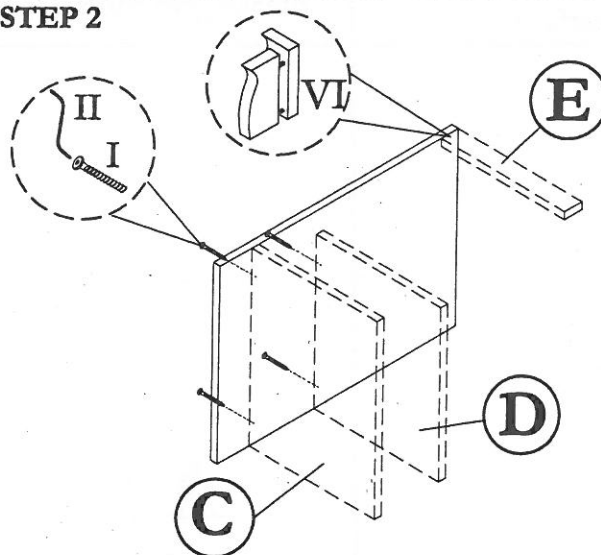
## MODEL : 5056 / SIDE TABLE

Before you begin, please follow assembly instruction carefully.  
Then follow them step by step.

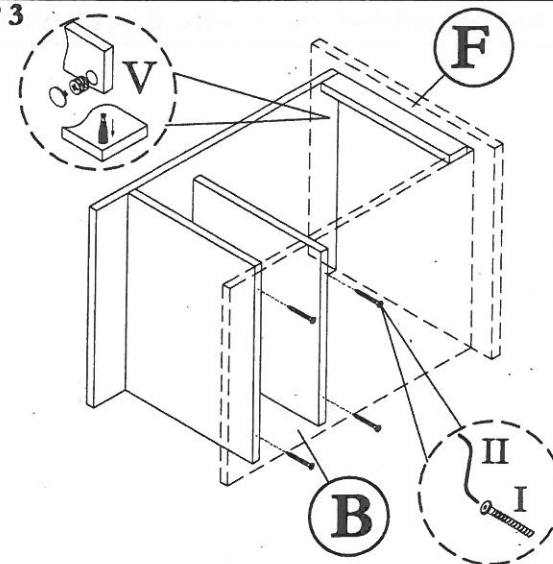
STEP 1



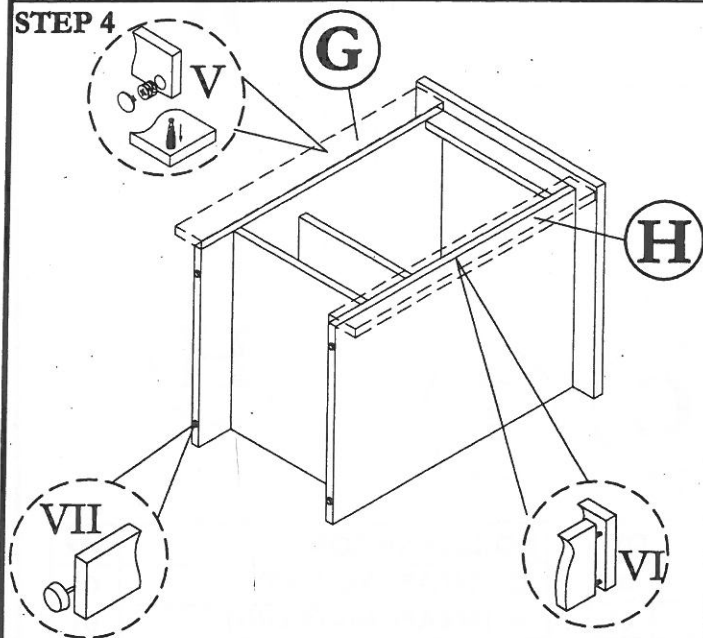
STEP 2



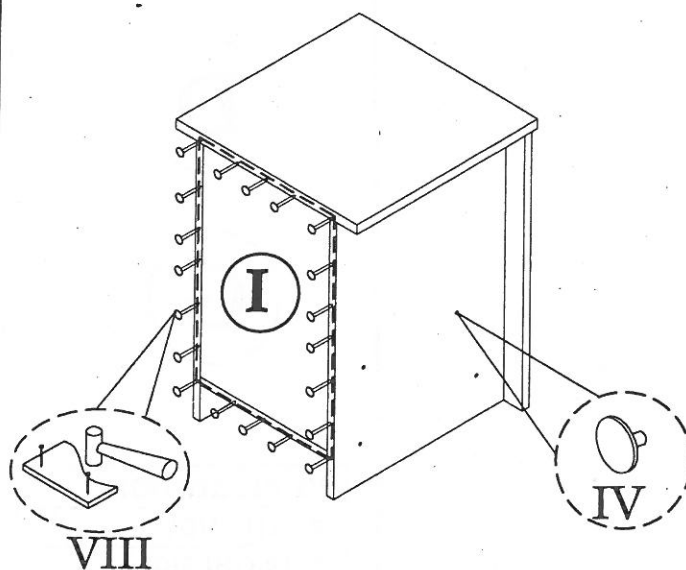
STEP 3



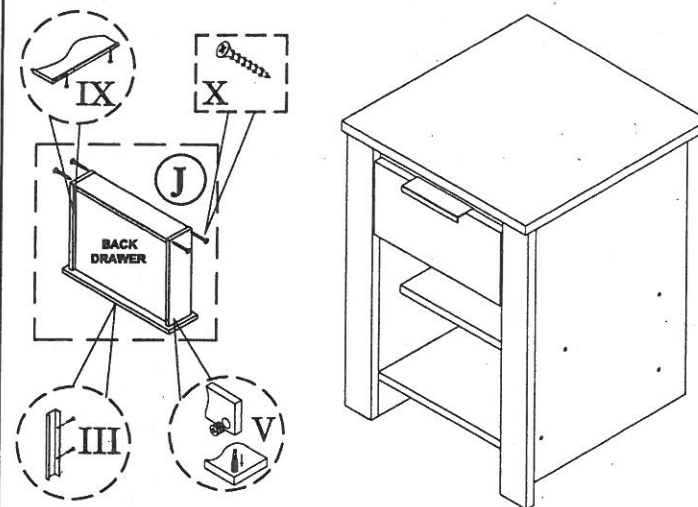
STEP 4



STEP 5



STEP 6



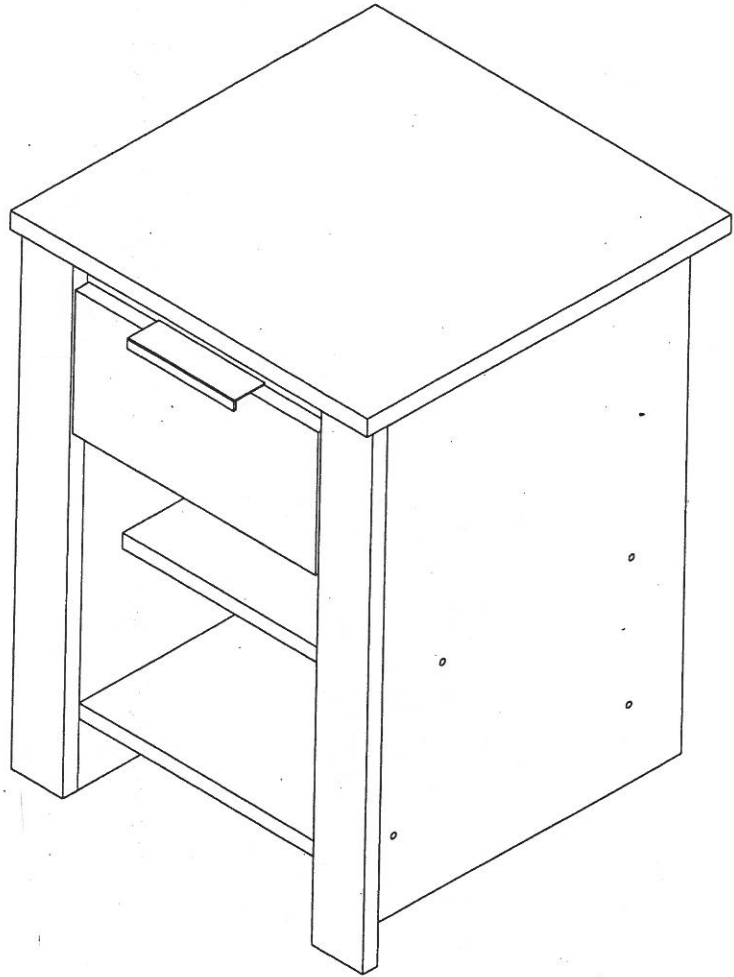
HARDWARE LIST			
NO	DESCRIPTION		QTY
I	JCBCW SCREW M6 x 45		8pcs
II	M4 ALLEN KEY		1pc
III	HANDLE & SCREW M3.5 x 12		1sets

IV	CAP SMALL		8pcs
V	Q-FIT		10sets
VI	M8 x 30 PLASTIC DOWEL		6pcs
VII	PVC NAIL WITH PIN		4pcs
VIII	NAIL		20pcs

IX	DRAWER SLIDER & SCREW M3.5 x 12		1sets
X	M8 X 32 CHIPBOARD SCREW		4pcs

**CAUTION:**

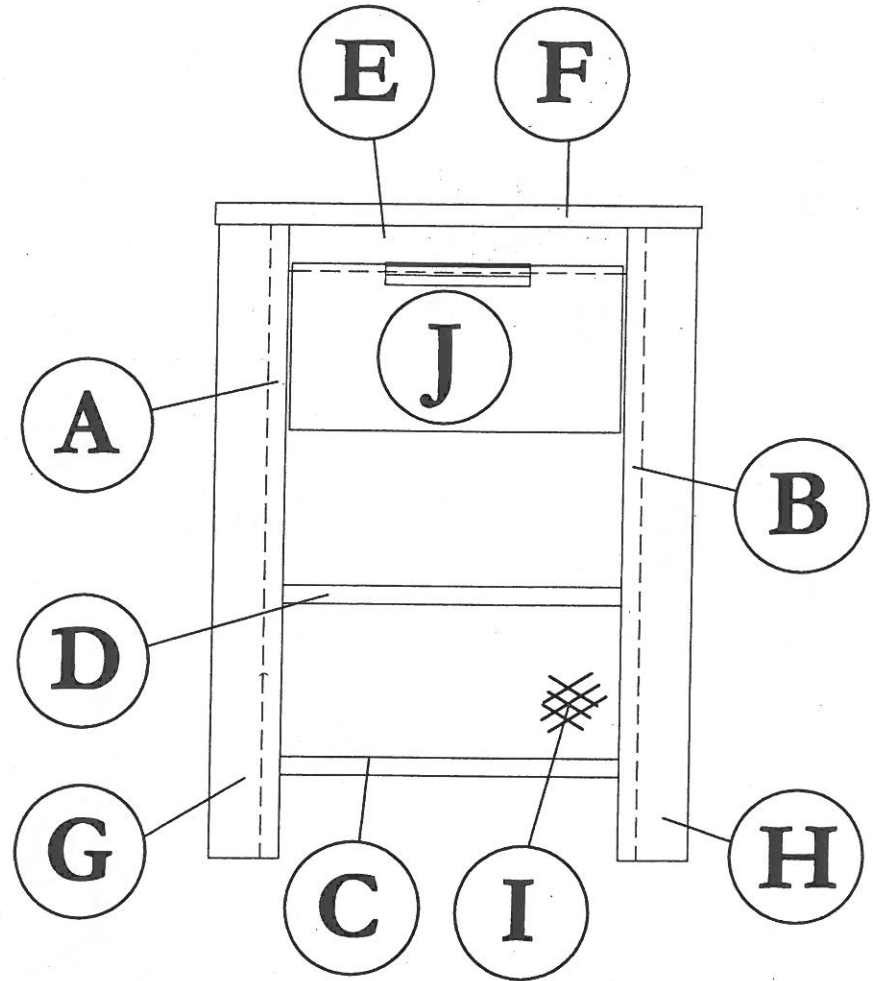
To clean use soft, dry cloth. Do not use detergent or chemicals  
Avoid contact with water and direct sunlight.  
To be assembled on a soft, dry, clean and smooth surface.



# COMPLETE SET

**ORDERING REPAIR PARTS**

In order to obtain smooth and rapid service when ordering repair parts, please give full attention to the following of PART NUMBER.



NO	DESCRIPTION	QTY
A	LEFT SIDE	01
B	RIGHT SIDE	01
C	LOWER SHELF	01
D	CENTRE SHELF	01
E	TOP SUPPORT	01
F	TOP	01

NO	DESCRIPTION	QTY
G	WRAPPING (Left)	01
H	WRAPPING (RIGHT)	01
I	BACK	01
J	DRAWER FACE	01