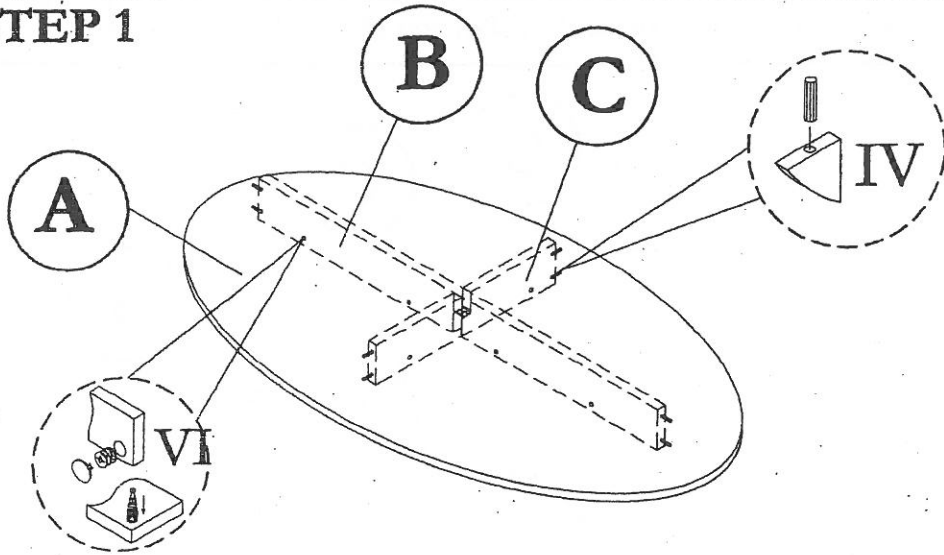


ASSEMBLY INSTRUCTION

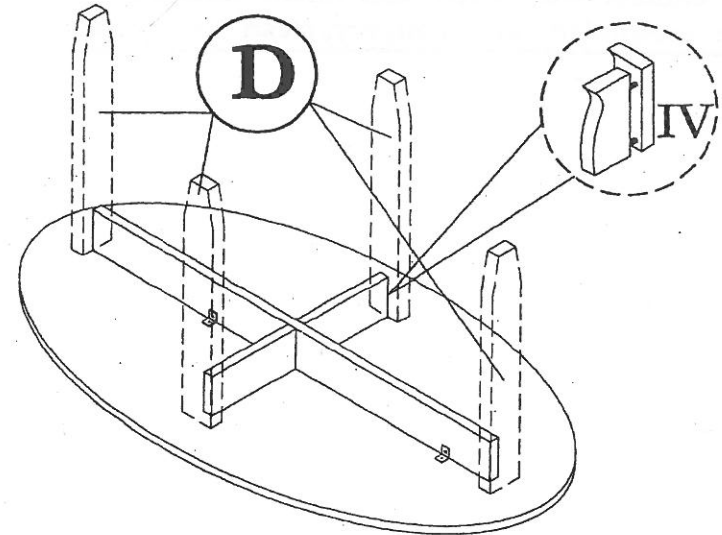
MODEL : 2112/ COFFEE TABLE

Before you begin, please follow assembly instruction carefully.
Then follow them step by step.

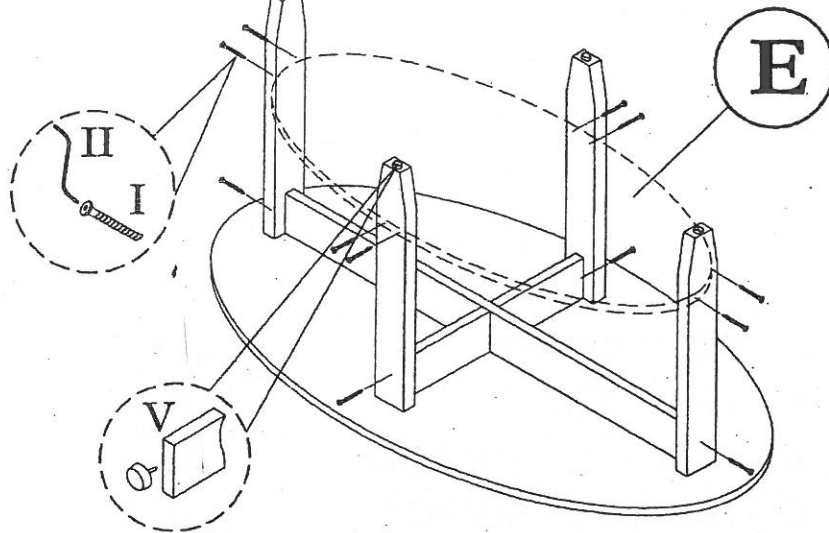
STEP 1



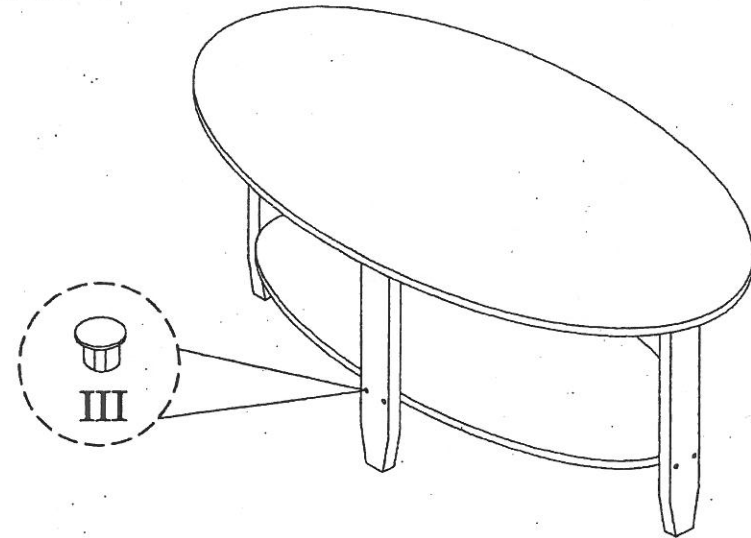
STEP 2



STEP 3



STEP 4



HARDWARE LIST

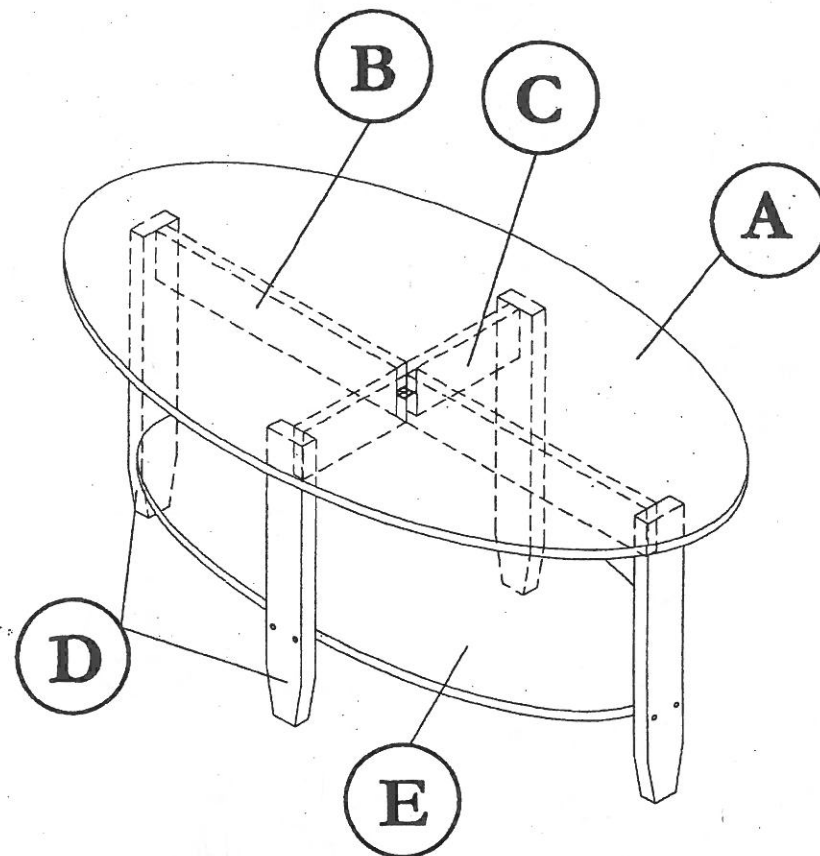
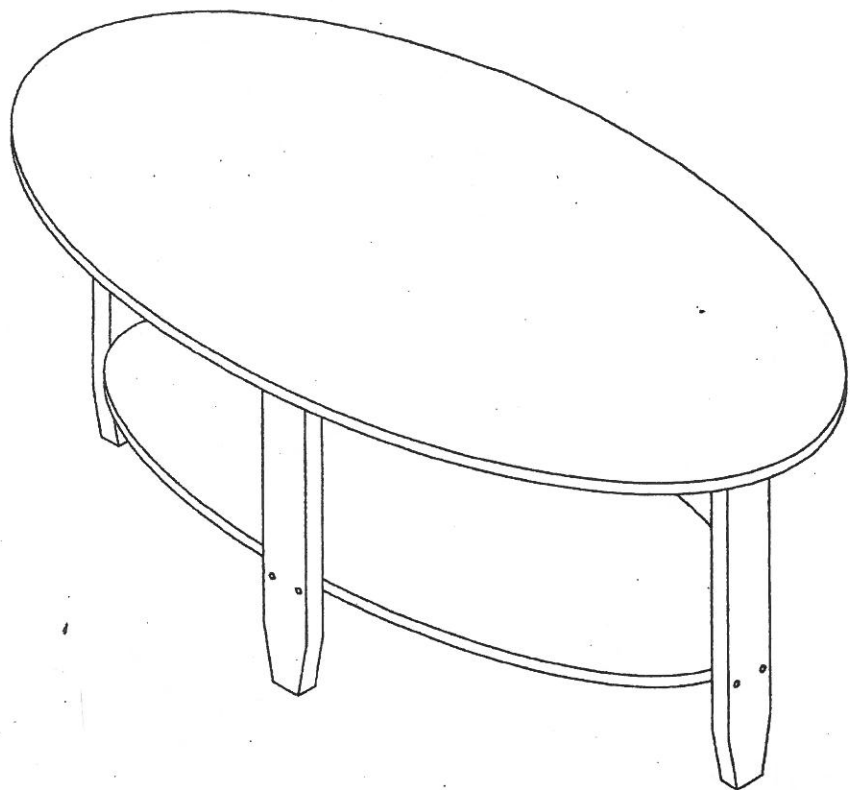
NO	DESCRIPTION	QTY	II	M4 ALLEN KEY	1pc	V	PVC NAIL WITH PIN	4pcs
I	JCBCW SCREW M6 x 45	12pcs	III	CAP BIG	12pcs	VI	Q-FIT	6sets
			IV	M8 X 30 PLASTIC DOWEL	8pcs			

CAUTION:

To clean use soft, dry cloth. Do not use detergent or chemicals
Avoid contact with water and direct sunlight.
To be assembled on a soft, dry, clean and smooth surface.

ORDERING REPAIR PARTS

In order to obtain smooth and rapid service when ordering repair parts,
please give full attention to the following of PART NUMBER.



COMPLETE SET

NO	DESCRIPTION	QTY
A	TABLE TOP	01
B	TABLE TOP SUPPORT	01
C	TABLE TOP SUPPORT	01
D	LEG	04
E	LOWER SHELF	01