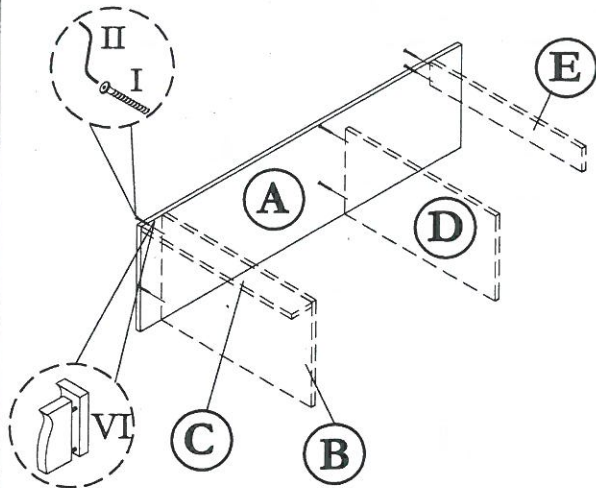


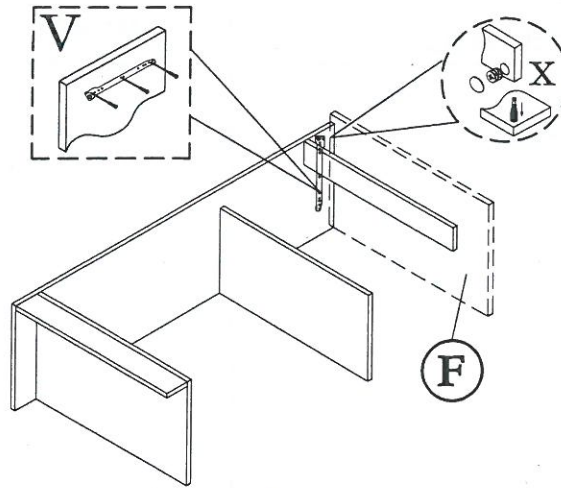
ASSEMBLY INSTRUCTION
MODEL : 17202 / SHOE RACK

Before you begin, please follow assembly instruction carefully.
 Then follow them step by step.

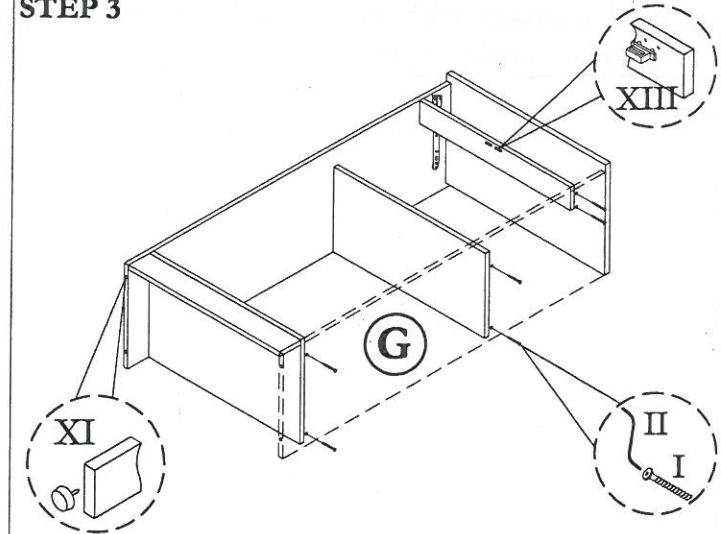
STEP 1



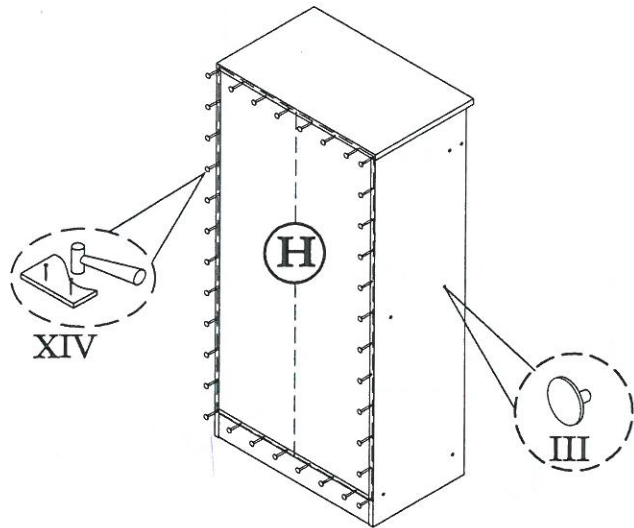
STEP 2



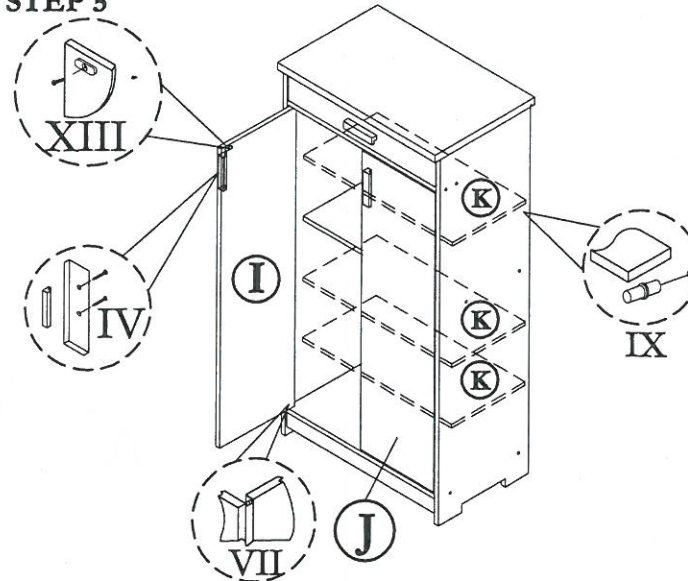
STEP 3



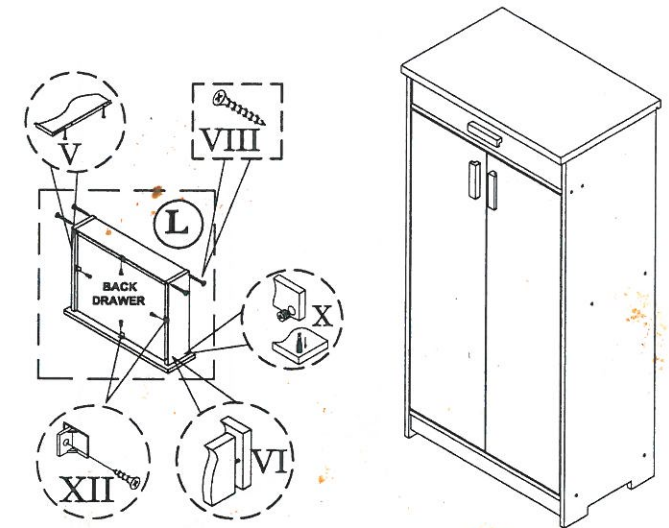
STEP 4



STEP 5



STEP 6



HARDWARE LIST			
NO	DESCRIPTION		QTY
I	JCBCW SCREW M6 x 45		12pcs
II	M4 ALLEN KEY		1pc
III	CAP SMALL		12pcs
IV	HANDLE & SCREW M3.5 x 30		3sets
V	DRAWER SLIDER & SCREW M3.5 x 12		1sets

VI	M8 x 30 PLASTIC DOWEL		6pcs
VII	SPRING DOOR SUPPORT		4pcs
VIII	M8 x 32 CHIPBOARD SCREW		4pcs
IX	SHELF SUPPORT		12pcs
X	Q-FIT		6sets
XI	PVC NAIL WITH PIN		4pcs
XII	DRAWER SUPPORT & SCREW M3.5 x 12		4sets

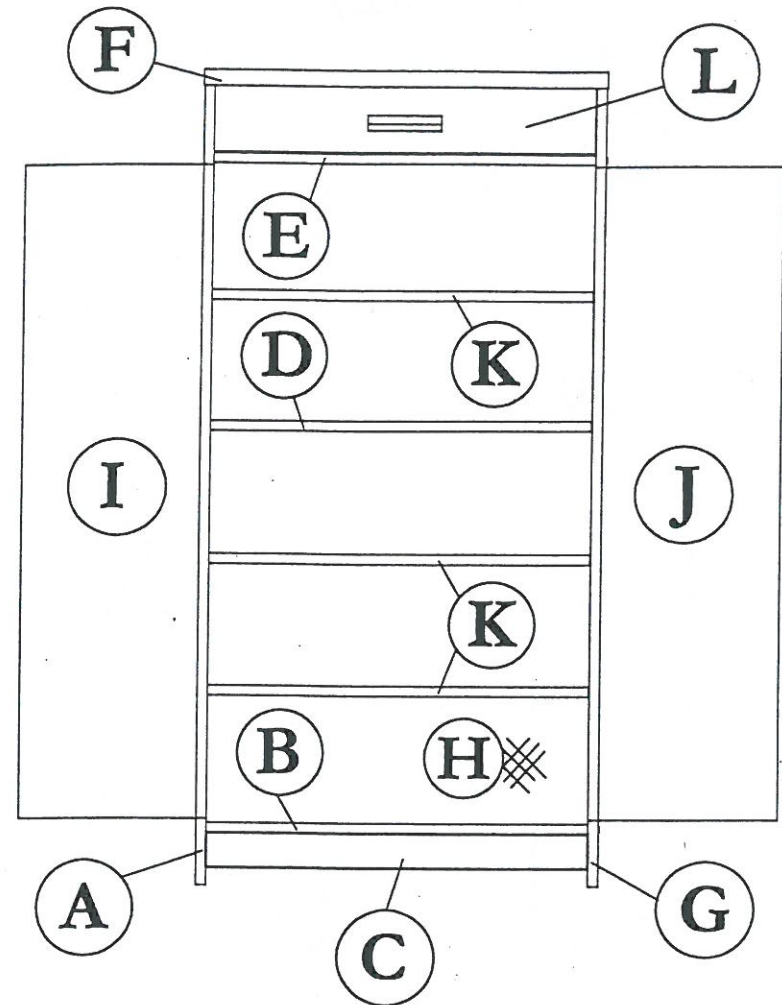
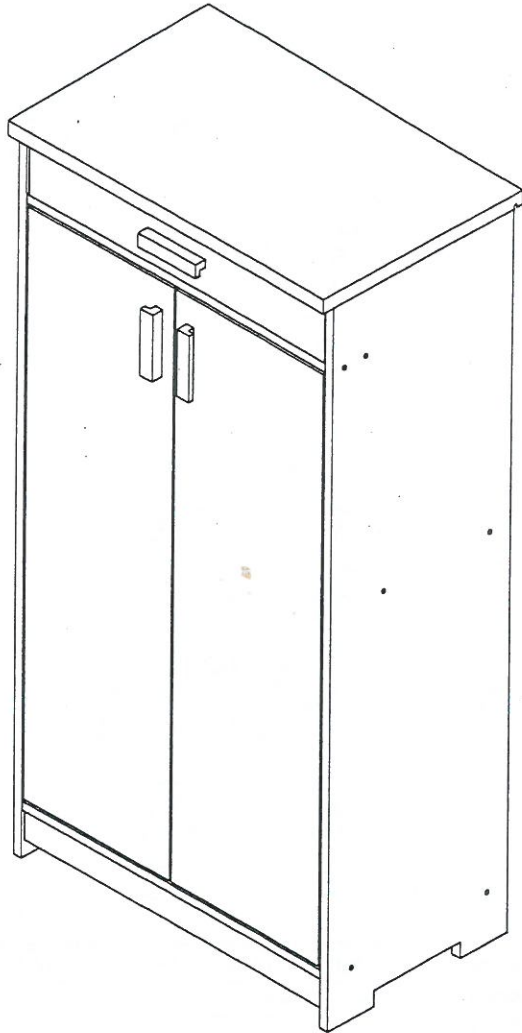
XIII	MAGNET WITH PLATE & SCREW		2sets
XIV	NAIL		40pcs

CAUTION:

To clean use soft, dry cloth. Do not use detergent or chemicals
Avoid contact with water and direct sunlight.
To be assembled on a soft, dry, clean and smooth surface.

ORDERING REPAIR PARTS

In order to obtain smooth and rapid service when ordering repair parts,
please give full attention to the following of PART NUMBER.



COMPLETE SET

NO	DESCRIPTION	QTY
A	LEFT SIDE	01
B	LOWER SHELF	01
C	LEG	01
D	CENTRE SHELF	01
E	UPPER SHELF	01
F	TOP	01

NO	DESCRIPTION	QTY
G	RIGHT SIDE	01
H	BACK	02
I	LEFT SIDE DOOR	01
J	RIGHT SIDE DOOR	01
K	MOVABLE SHELF	03
L	DRAWER FACE	01