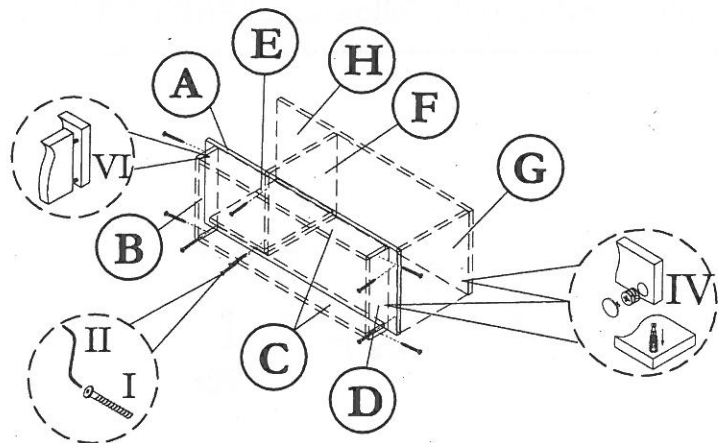


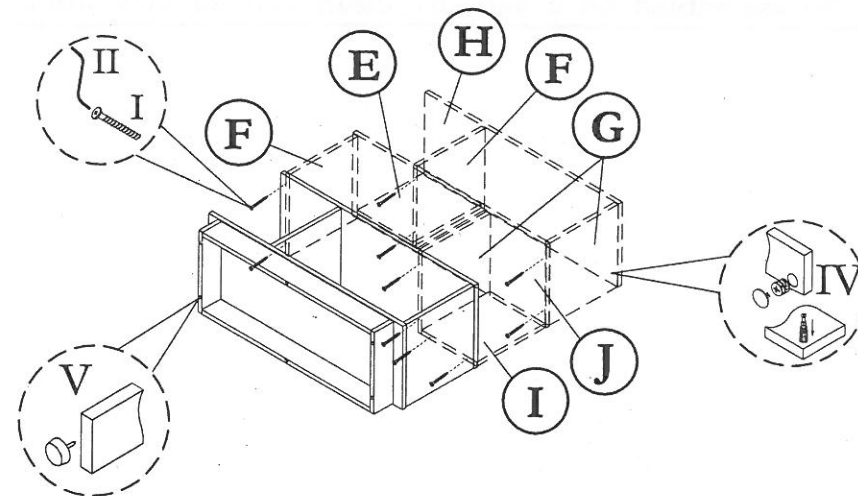
ASSEMBLY INSTRUCTION
MODEL : 1165 / BOOKCASE

Before you begin, please follow assembly instruction carefully.
 Then follow them step by step.

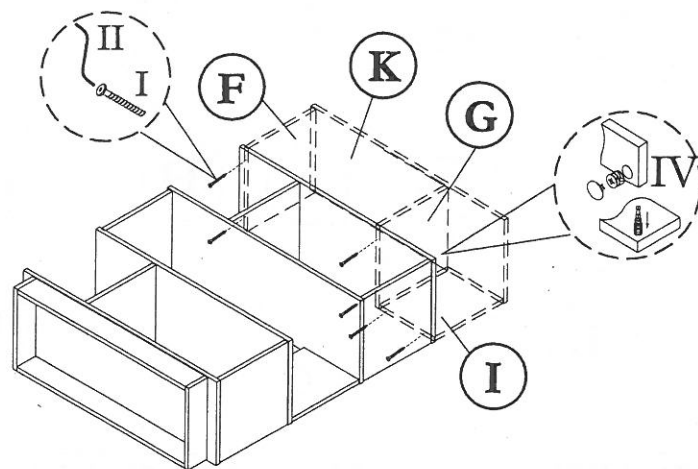
STEP 1



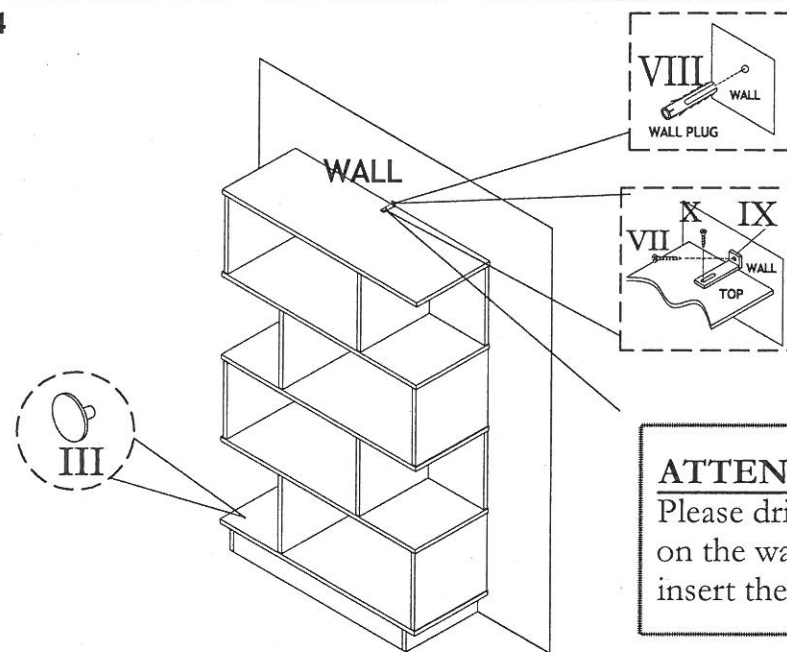
STEP 2



STEP 3



STEP 4



ATTENTION:
 Please drill the hole
 on the wall and
 insert the wall plug

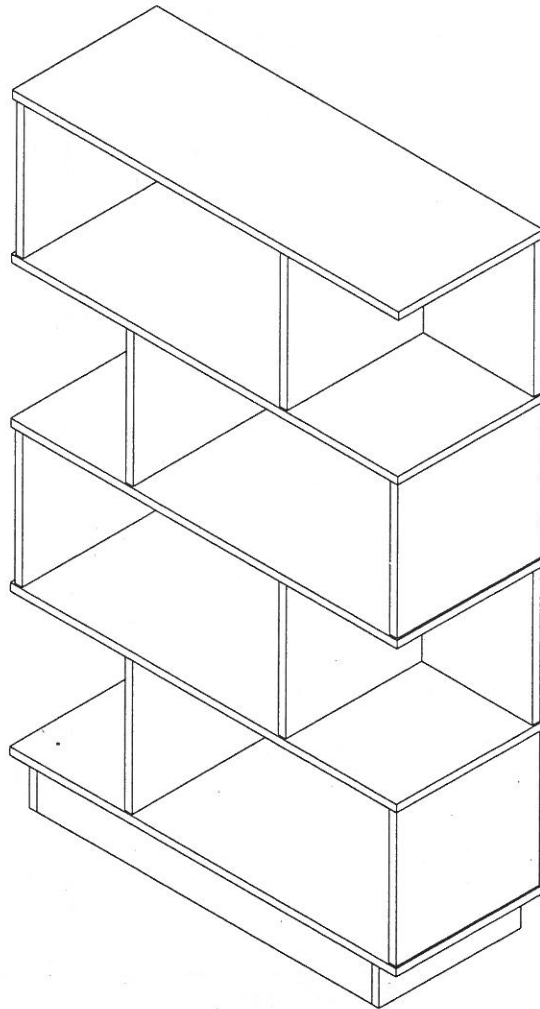
HARDWARE LIST			
NO	DESCRIPTION		QTY
I	JCBCW SCREW M6 x 45		28pcs
II	M4 ALLEN KEY		1pc
III	CAP SMALL		4pcs

IV	Q-FIT		28sets
V	PVC NAIL WITH PIN		6pcs
VI	M8 x 30 PLASTIC DOWEL		8pcs
VII	M4 x 38 CHIPBOARD SCREW		1pc
VIII	WALL PLUG		1pc

IX	L-BRACKET		1pc
X	M4 x 16 CHIPBOARD SCREW		1pc

CAUTION:

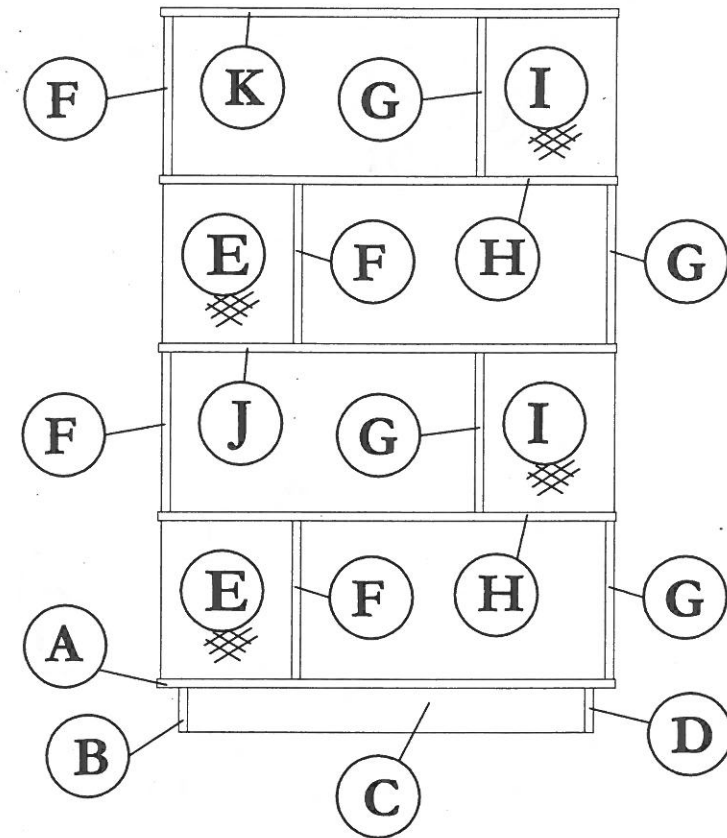
To clean use soft, dry cloth. Do not use detergent or chemicals
 Avoid contact with water and direct sunlight.
 To be assembled on a soft, dry, clean and smooth surface.



COMPLETE SET

ORDERING REPAIR PARTS

In order to obtain smooth and rapid service when ordering repair parts, please give full attention to the following of PART NUMBER.



NO	DESCRIPTION	QTY
A	LOWEST SHELF	01
B	LEFT SIDE LEG	01
C	LEG	02
D	RIGHT SIDE LEG	01
E	BACK VERTICAL (Left)	02
F	CENTRE VERTICAL (Left)	04

NO	DESCRIPTION	QTY
G	CENTRE VERTICAL (Right)	04
H	CENTRE SHELF	02
I	BACK	02
J	CENTRE SHELF	01
K	UPPER SHELF	01