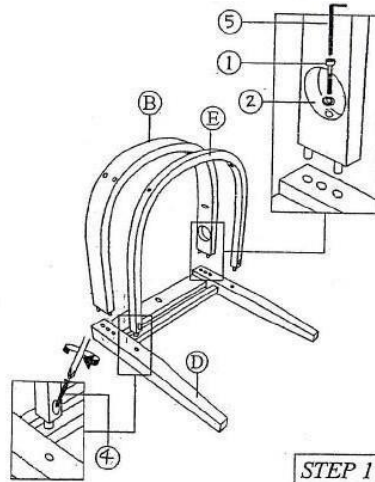
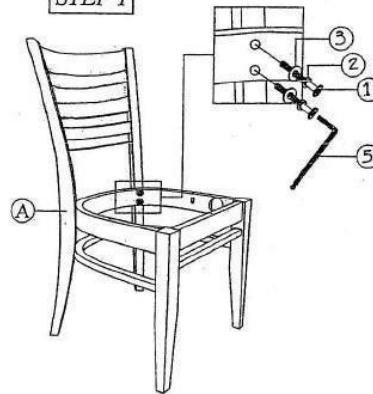


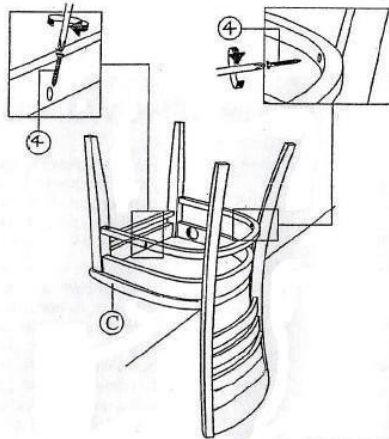
LILY



STEP 1



STEP 2



STEP 3

PRODUCT DESCRIPTION

Read instruction carefully. Remove all wrapping material, Staples and straps from the carton. See Hardware and Furniture Part List for guidance. Be sure you have all parts before you start assembly. Place all wooden furniture part a clean and flat soft surface, such as carpet or rug to prevent from being scratched.

CAUTION :

KEEP ALL HARDWARE PART OUT OF REACH OF CHILDREN.

HARDWARE LIST

ITEM	DESCRIPTION	QTY
1	JCBC M6 X 40MM	6 PCS
2	SPRING WASHER 1/4"	6 PCS
3	FLAT WASHER M6 X 16.5MM	4 PCS
4	CSK CB SCREW M4 X 32MM	7 PCS
5	ALLEN KEY (M4)	1 PC

PART LIST

ITEM	DESCRIPTION	QTY
A	BACK REST	1 PC
B	U FRAME SUPPORT BAR	1 PC
C	CHAIR SEAT	1 PC
D	FRONT LEG	1 SET
E	U RAIL BAR	1 PC

HINLIM
SINCE 1971

www.hinlim.com

ISO 9001:2000
Certificate No. 2502

