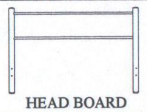

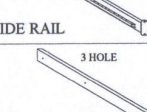

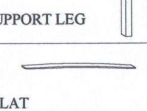
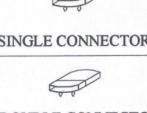
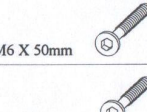
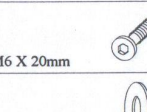
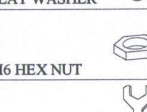
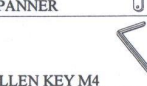



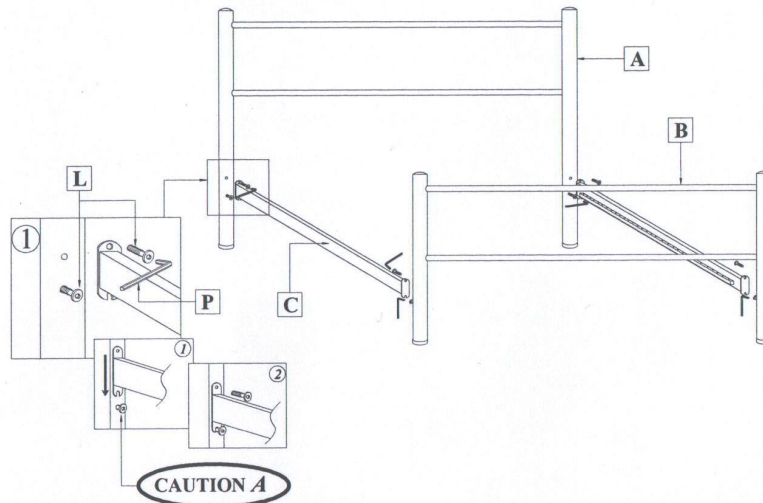
# MODEL :METAL POST / SPRUNG WOOD BED BASE

SIZE :FULL / QUEEN BED

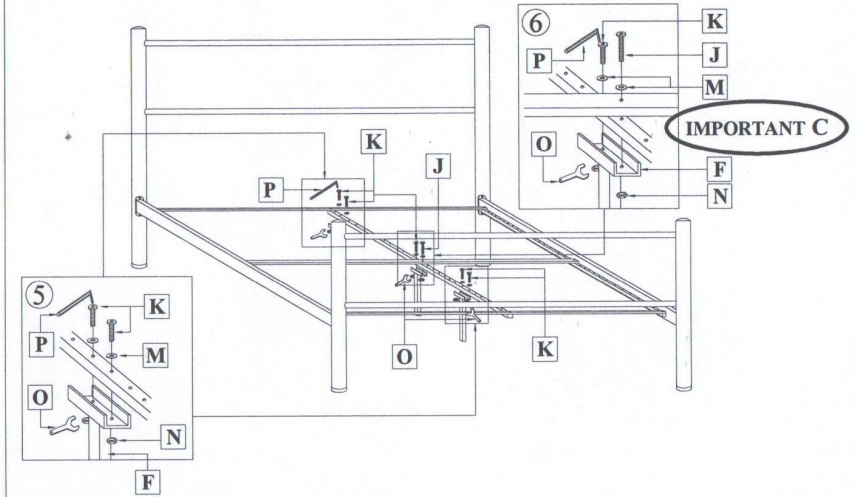
# ASSEMBLY INSTRUCTION

Part and Hardware List		
A	 HEAD BOARD	1pc
B	 FOOT BOARD	1 pc
C	 SIDE RAIL	2 pcs
D	 CROSS RAIL	3 pcs
E	 CENTRE RAIL	1 pc
F	 SUPPORT LEG	3 pcs
G	 SLAT	24pcs
H	 SINGLE CONNECTOR	24pcs
I	 DOUBLE CONNECTOR	12 pcs
J	 M6 X 50mm	3 pcs
K	 M6 X 40mm	11 pcs
L	 M6 X 20mm	8 pcs
M	 FLAT WASHER	10 pcs
N	 M6 HEX NUT	14 pcs
O	 SPANNER	1 pc
P	 ALLEN KEY M4	1 pc

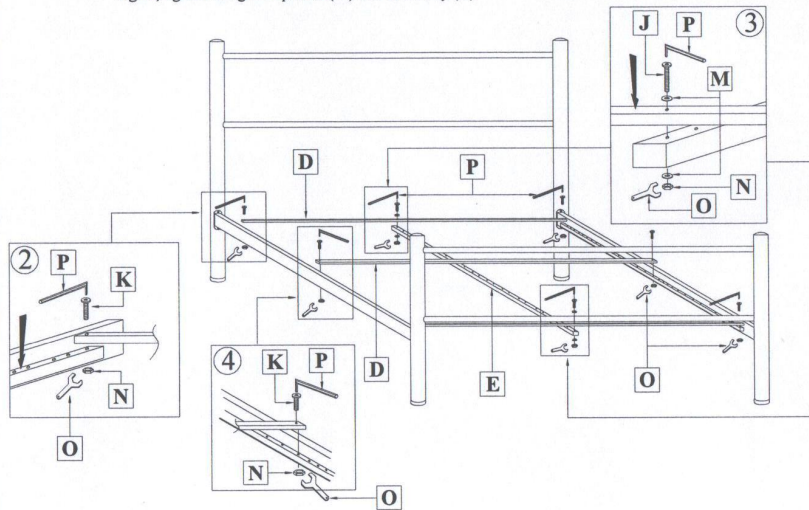
**Step 1** Attach the 2 Side Rails (C) to the Metal Posts (A & B) using 8 Bolts (L) and the Allen Key (P) as shown in the diagram below.



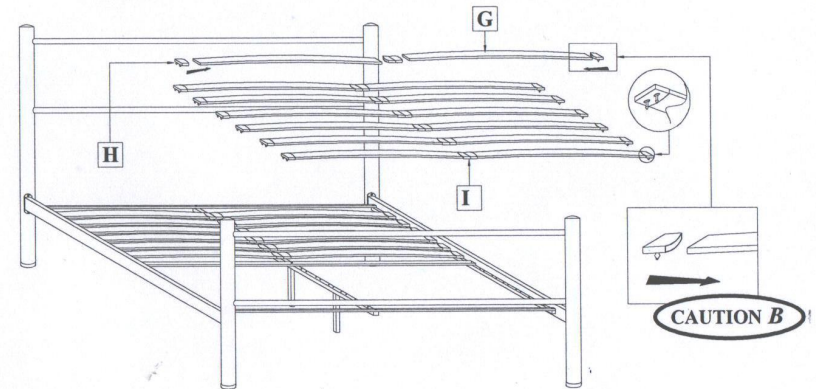
**Step 3** Attach the 3 Support Legs (F) to the Centre Rail (E) using 5 x 40mm Bolts (K), 1 x 50mm Bolt (J), 6 Flat Washer (M) and 6 Hex Nuts (N) as demonstrated below. The 50mm Bolt (J) is used to also connect the Centre Rail (E) and Cross Rail (D) at the middle Support Leg (F). Tighten the fittings using the Allen Key (P) and Spanner (O).



**Step 2** Attach the 3 Cross Rail (D) to the Side Rails (C) using 6 Bolts (K) and 6 Hex Nuts (N) as illustrated below. Tighten using the Allen Key (P) and Spanner (O) provided. Next, fit the Centre Rail (E) to the 2 Cross Rail (D) at the Headend and Footend of the bed using 2 Bolts (J), 4 Flat Washer (M) and 2 Hex Nuts (N). Again, tighten using the Spanner (O) and Allen Key (P).



**Step 4** Insert the Slats (G) into the Single and Double Connectors (H & I) as shown below and push into place on the Side Rails (C) and Centre Rail (E) using the palm of your hand. Do not use a hammer or this will damage the product. Repeat this process until all the slats have been fitted.



ASSEMBLY COMPLETE

**CAUTION!**  
**A** Do not tight screw, left around 5mm before completely assembled.

**CAUTION!**  
**B** Make sure sprung wood is fully push tightly into single connector, if not by slowlyknock single connector until tight into sprung wood.

**IMPORTANT!**  
**C** \*Make sure support leg is straight when screw is fully tighten, if not please do adjustment  
\*When move the bed make sure the bed is fully lifted, if not the support will not be straight

**IMPORTANT!**  
\*Tighten all screw and complete product as shown  
\*Ensure cross rails are located in the side rails before placing the mattress on the bed frame"