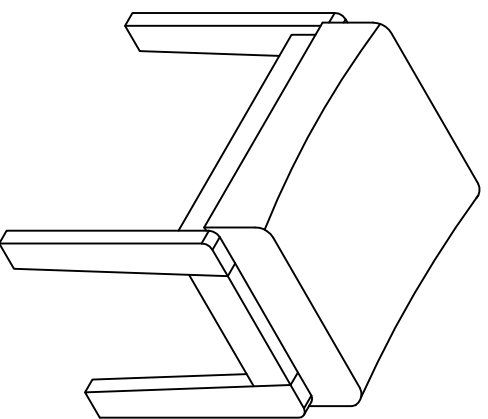


ASSEMBLY INSTRUCTIONS



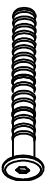
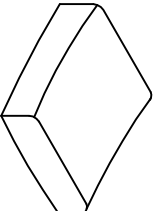
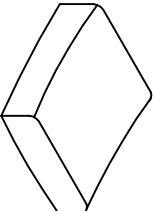

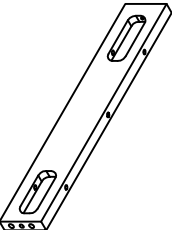
ASSEMBLY TIPS

1. Remove hardware from box and sort by size.
2. Please check to see that all hardware and parts are present prior start of assembly.
3. Please follow attached instructions in the same sequence as as numbered to assure fast and easy assembly.
4. Estimated 15 minutes required for assembly.

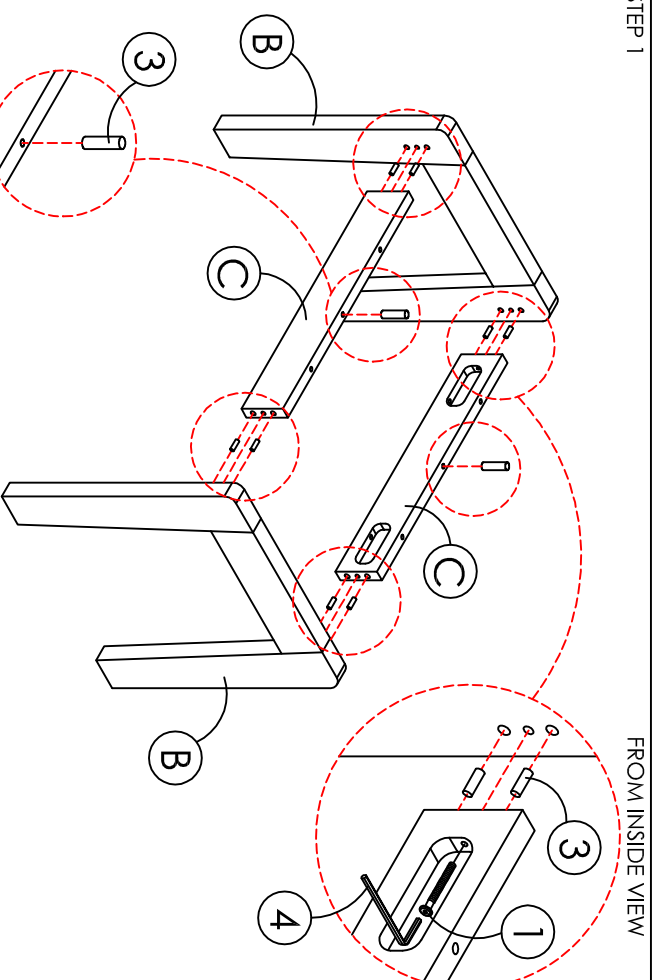


Warning!

1. Don't attempt to repair or modify parts that are broken or defective. Please contact the store immediately.
 2. This product is for home use only and not intended for commercial establishments.

HARDWARE LIST		PART LIST	
1	 4 PCS	A	 1 PC
2	JCBC M6 x 50mm 4 PCS	B	 2 PCS
3	 10 PCS	C	 2 PCS
4	WOOD SCREW 4.0 x 38mm 10 PCS		
	WOOD DOWEL Ø10 x 30mm 1 PC		
	WOOD DOWEL Ø10 x 30mm 1 PC		
	ALLEN KEY (M4)		

STEP 1



STEP 2

