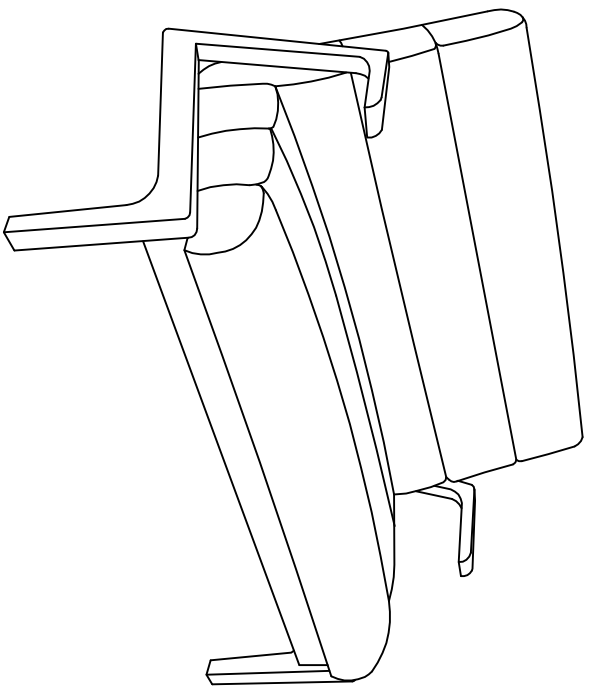


ASSEMBLY INSTRUCTIONS



2 PEOPLE REQUIRED

ASSEMBLY TIPS

1. Remove hardware from box and sort by size.
2. Please check to see that all hardware and parts are present prior start of assembly.
3. Please follow attached instructions in the same sequence as numbered to assure fast and easy assembly.
4. Estimated 45 minutes required for assembly.



Warning !

1. Don't attempt to repair or modify parts that are broken or defective. Please contact the store immediately.
2. This product is for home use only and not intended for commercial establishments.

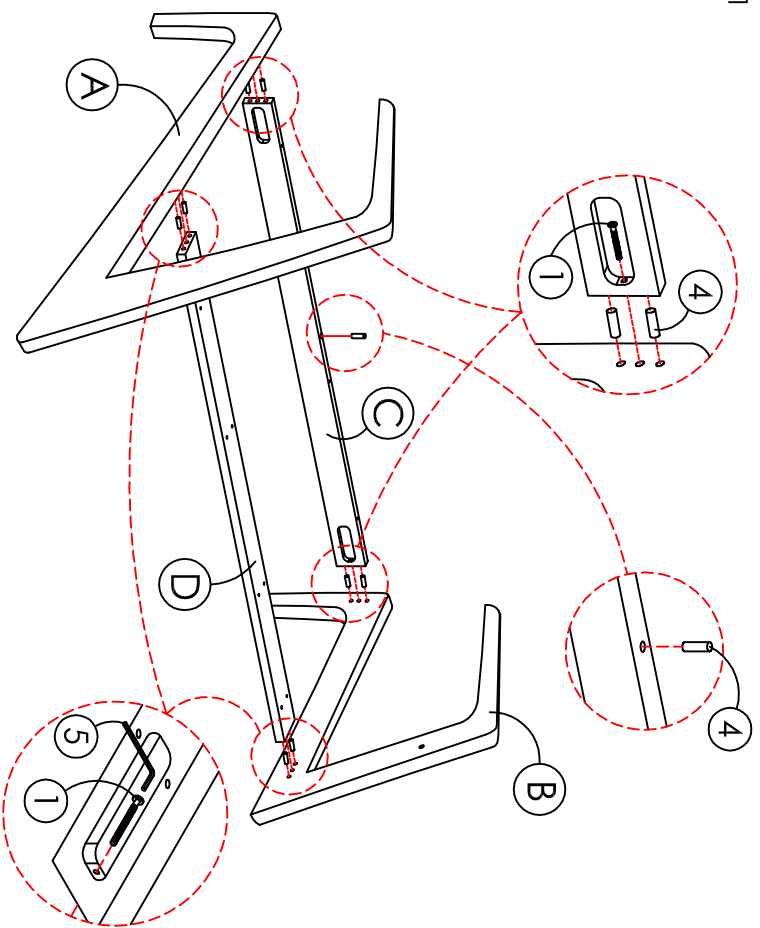
HARDWARE LIST

1		12 PCS	5	1 PC
2	JCBC M6 x 50mm 	2 PCS	6	10 PCS
3	JCBC M6 x 40mm 	12 PCS	7	10 PCS
4	WOOD SCREW 4.0 x 38mm 	9 PCS		

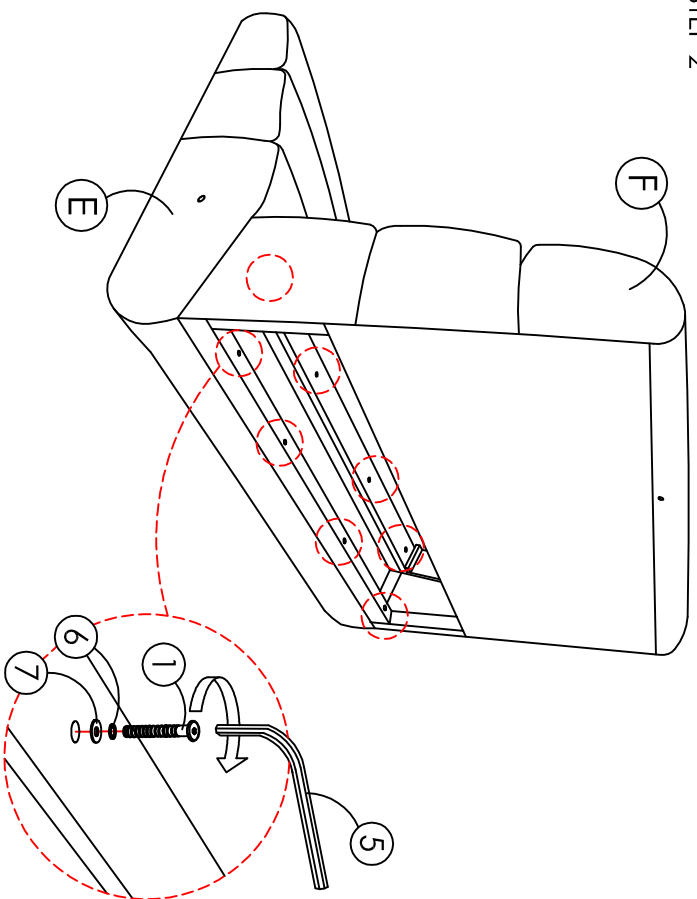
COMPONENT LIST

A		1 PC	D		1 PC
B	ARM CHAIR (RIGHT) 	1 PC	E	BACK RAIL	1 PC
			F	BACK REST	1 PC
C	ARM CHAIR (LEFT) 	1 PC		SEAT DECK	

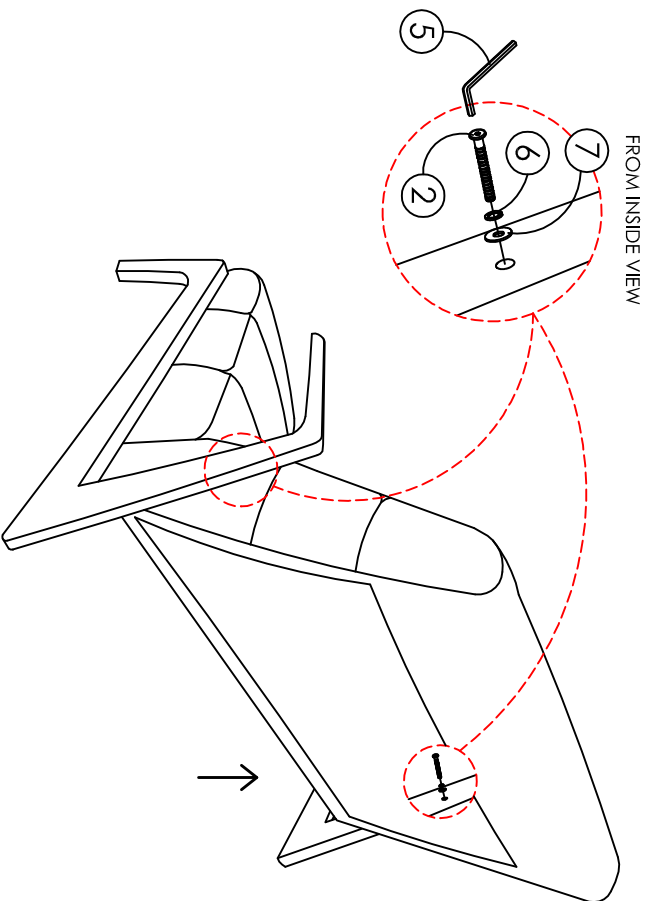
STEP 1



STEP 2



STEP 3



STEP 4

