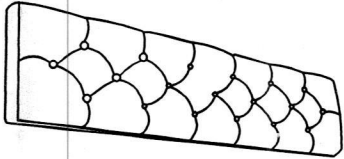
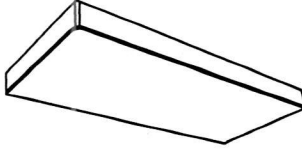

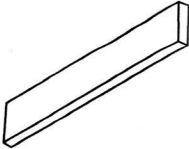
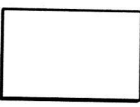


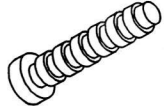

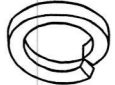



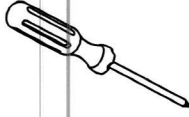
IMPORTANT NOTE: *PLACE ALL PARTS ON A CLEAN AND SMOOTH SURFACE SUCH AS A RUG OR CARPET TO AVOID THE PARTS FROM BEING SCRATCHED.
 *KINDLY FOLLOW THE ASSEMBLY INSTRUCTIONS STEP BY STEP.
 *DO NOT TIGHTEN ALL SCREWS UNTIL THE BED IS FULLY SET-UP.

ASSEMBLY INSTRUCTION

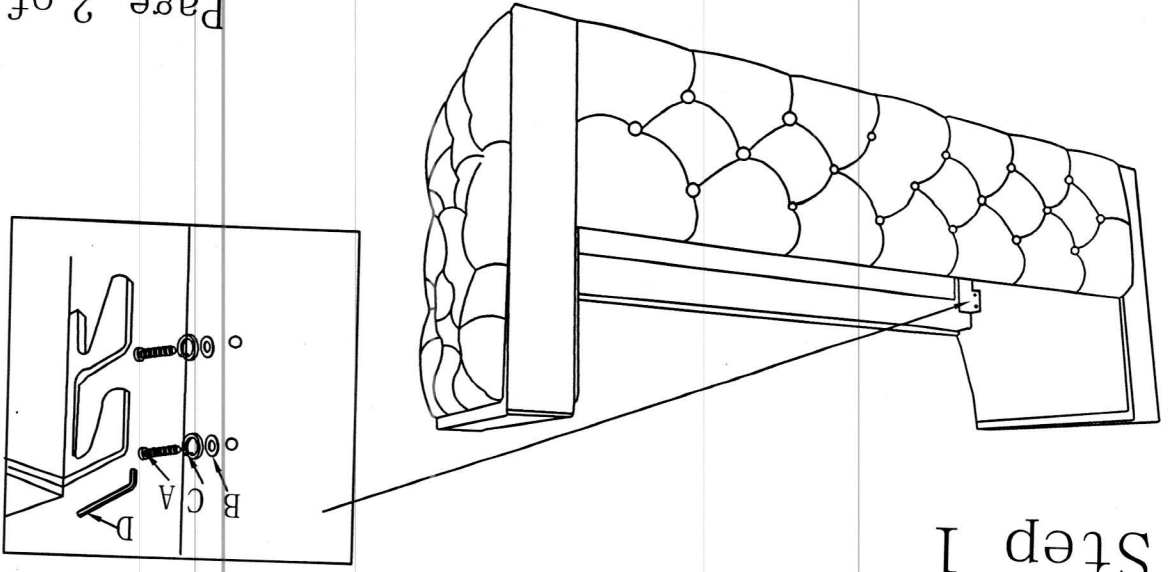
Parts list

- 1. Front panel 1pc 
- 2. Cushion 1pc 
- 3. Arm 2pcs 
- 4. Back panel 1pc 
- 5. Bottom panel 2pcs 

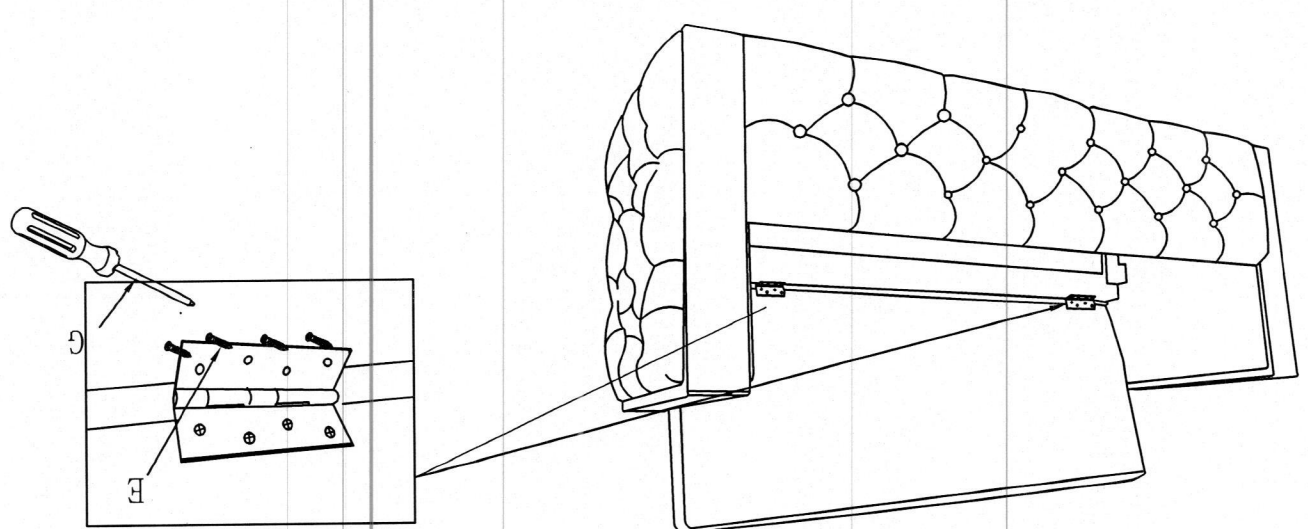
Hardware list

 A. Bolt M8*30mm 8pcs	 B. Flat Washer M8 8pcs	 C. Spring Washer M8 8pcs	 D. Allen Key M5 1pc
 E. Screw 20mm 13pcs	 F. Hinge 1pc	 G. Screw driver (not provided)	

Step 1



Step 2



Step 3

