







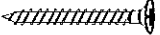



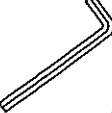
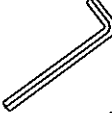
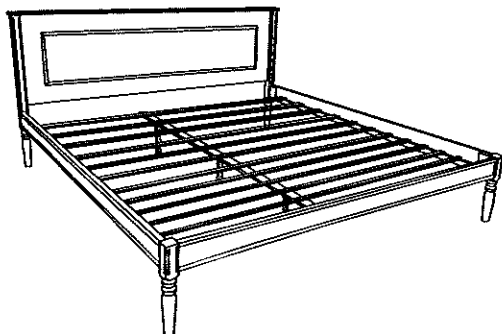


ASSEMBLY INSTRUCTION

ISALAH TWIN BED / FULL BED / QUEEN BED / EASTERN KING BED

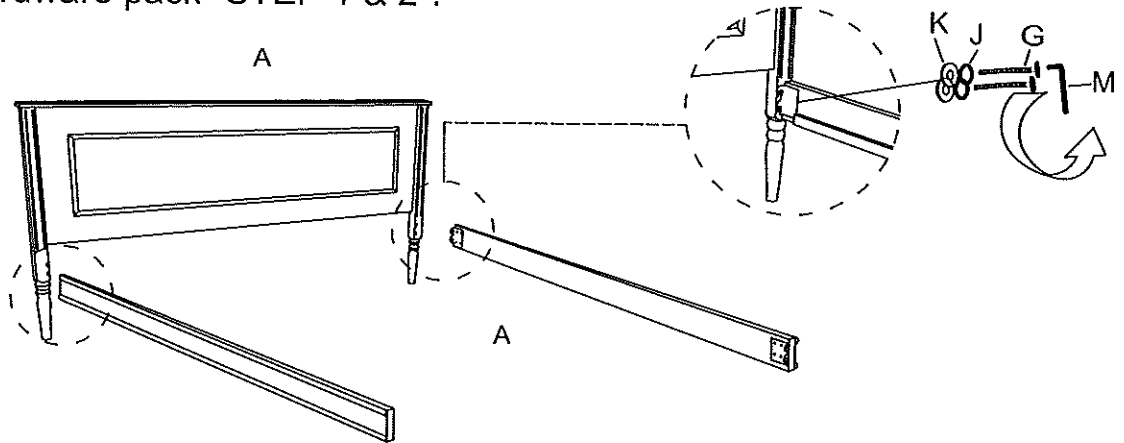
A HEADBOARD  1 PC	B FOOTBOARD  1 PC	C SIDE RAILS  2PCS	D CENTER SUPPORT  1PC
E SUPPORT LEG  3PCS	F BED SLATS  1SET (13PCS)	G JCBC M6 X 50MM  3PCS	H JCBB M8 X 25MM  8PCS
I CSK M4 X 32MM SCREW  26PCS	J SPRING WASHER 5/16"  8PCS	K FLAT WASHER 5/16"  8PCS	L ADJUSTABLE GLIDER M6 X 23MM  3PCS
M ALLEN KEY M4  1PC	N ALLEN KEY M5  1PC		



This page lists all the contents included in the box. Please take the time to identify the hardware as well as the individual components to this product. As you unpack and prepare for assembly, place the contents on the carpeted or padded area to protect them from damage.

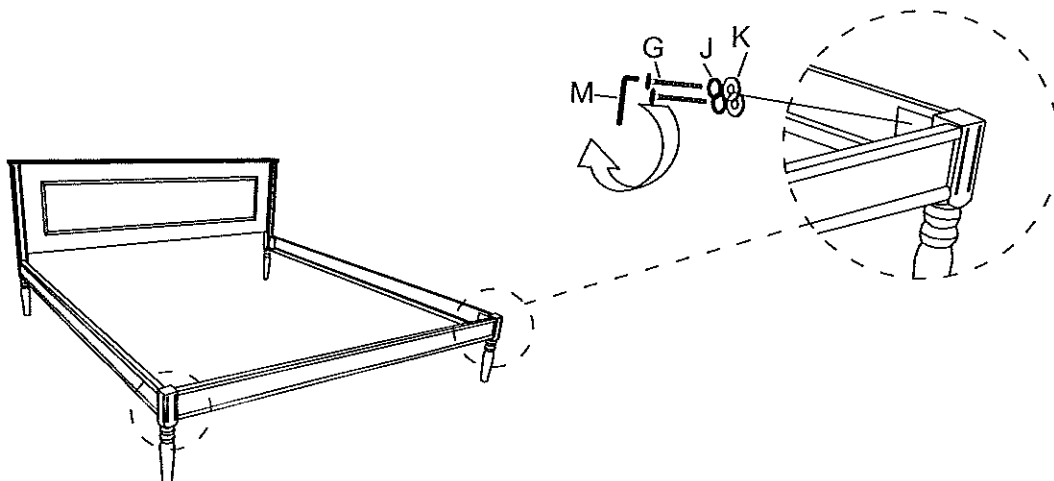
1 Insert JCBC M6 X 50mm (G) Flat Washer M8 (K) Spring Washer M8 (J) to Side Rails (C) connection Headboard (A) by Allen Key M4 (M).

Use hardware pack "STEP 1 & 2".

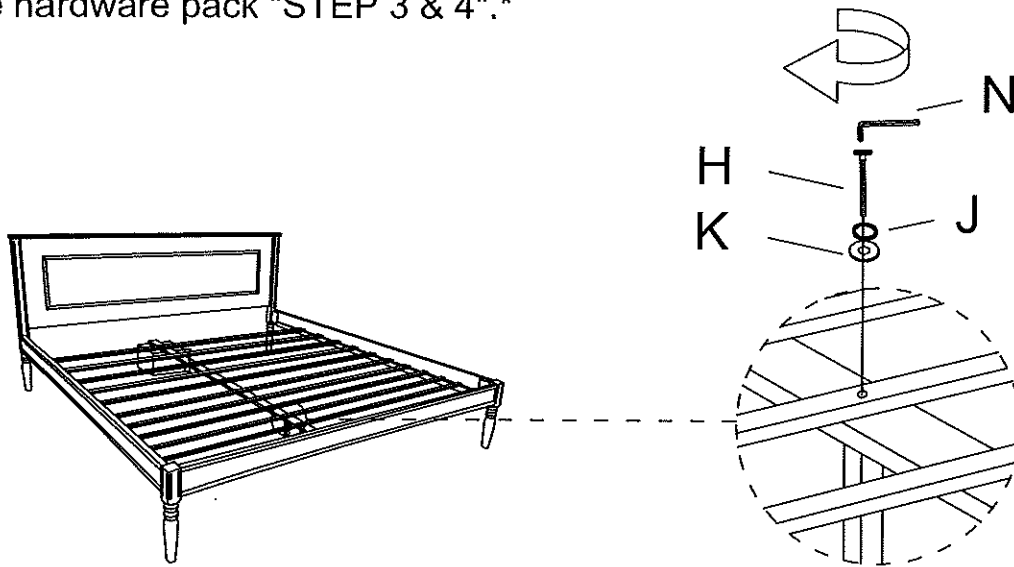


2 Insert JCBC M6 X 50mm (G) Flat Washer M8 (K) Spring Washer M8 (J) to Side Rails (C) connection Footboard (B) by Allen Key M4 (M).

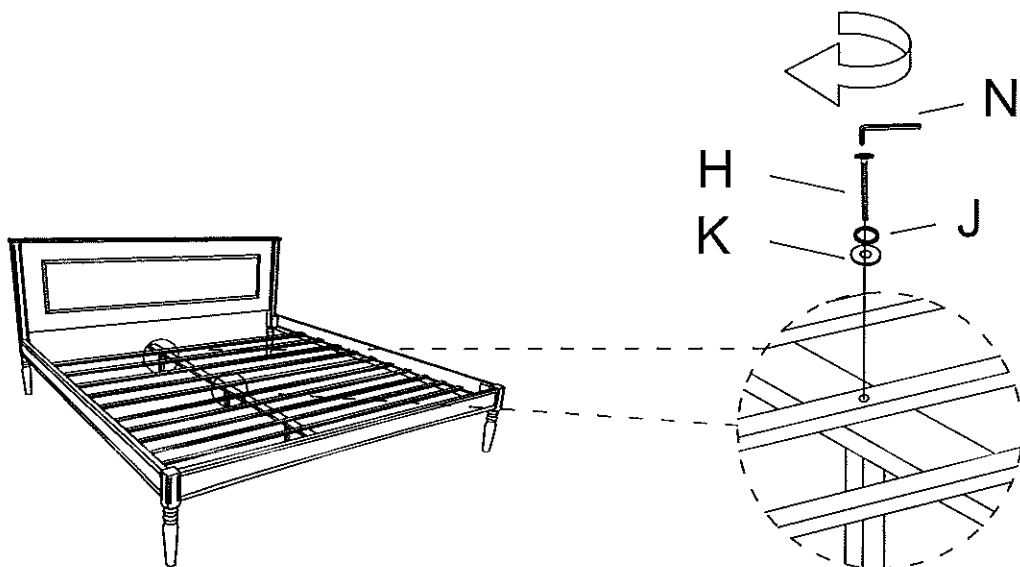
Use hardware pack "STEP 1 & 2".



3 Level up the Center Support (D) by putting on object/box to fix the Support Leg (E) with the Bed Slats (F). Insert JCBB M8 X 25mm (H) Flat Washer 5/16" (K) Spring Washer 5/16" (J) by Allen Key M5 (N).
Use hardware pack "STEP 3 & 4".



4 Insert JCBB M8 X 25mm (H) Flat Washer 5/16" (K) Spring Washer 5/16" (J) to Center Support (D) with Support Leg (E) by Allen Key M5 (N).
Use hardware pack "STEP 3 & 4".



5 Insert CSK M4X32MM (I) to Bed slats (F) connection Side Rail Cleat (C).

