








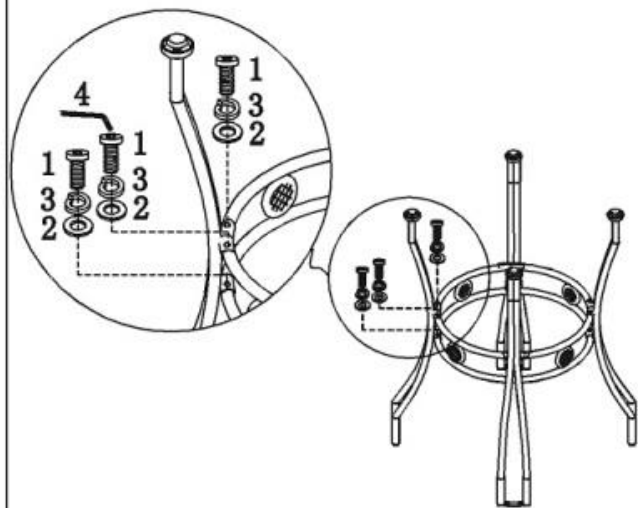
ITEM NO: CDC062-DTT-FMMT/CDC062-DTB-XXMT

HARDWARE LIST				PART LIST											
1	1 1/4*15	20PCS	2	20PCS	3	20PCS	4	1PC	A	1PC	B	4PCS	C	1PC	D
															
									E		F				

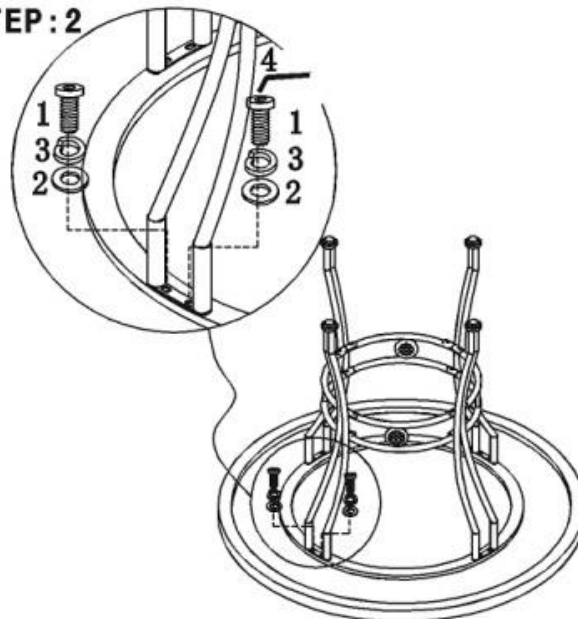
ASSEMBLY INSTRUCTION

1PC/CTN

STEP: 1



STEP: 2



STEP: 3



MADE IN CHINA