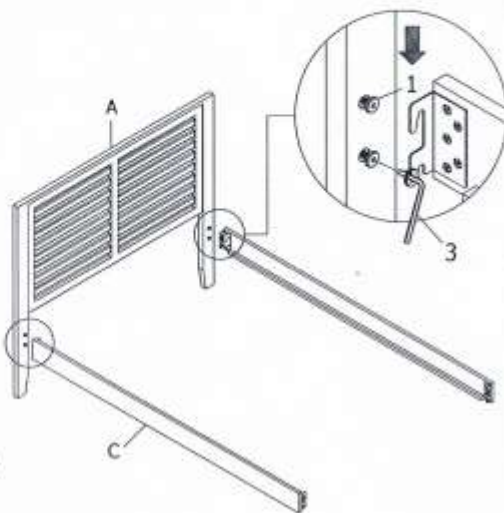


ASSEMBLY INSTRUCTION

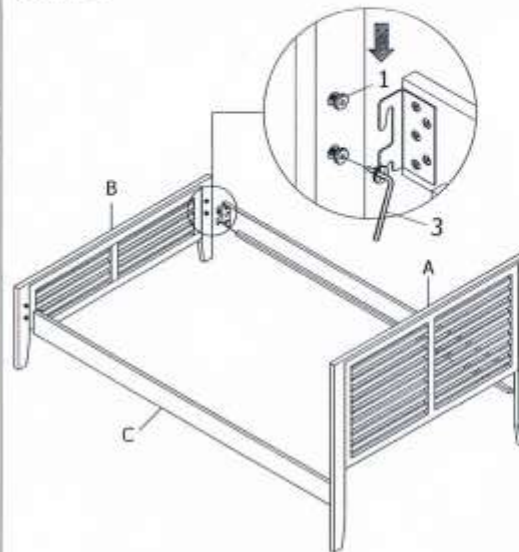
MODEL : HT 1704 (F)

NO.	PART LIST	QTY
A	HEADBOARD	1PC
B	FOOTBOARD	1PC
C	SIDE RAIL	2PCS
D	SLAT	12PCS
E	C/SLAT	1PC
F	C/LEG	3PCS

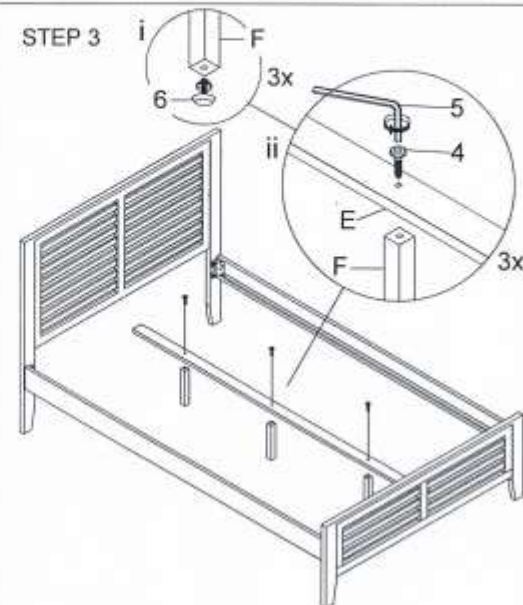
STEP 1



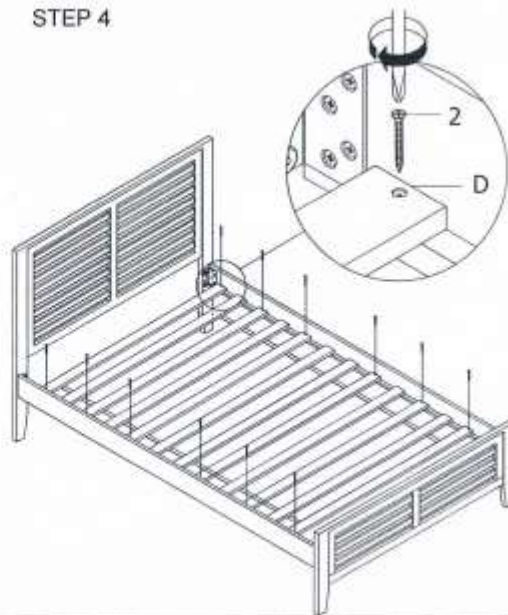
STEP 2



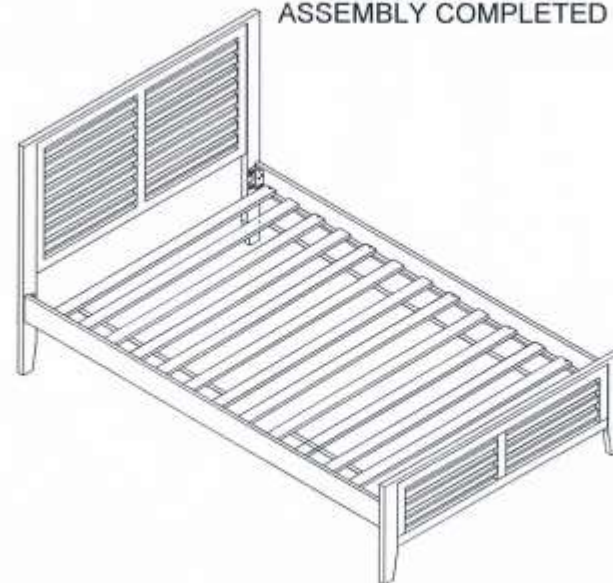
STEP 3



STEP 4



ASSEMBLY COMPLETED



NO.	PART LIST	QTY
1	JCBB M8 x 16mm	8PCS
2	CSK M4 x 25mm	18PCS
3	ALLEN KEY M5	1PC
4	JCBC M6 x 40mm	3PCS
5	ALLEN KEY M4	1PC
6	BASE GLIDE M6 x 23mm	3PCS