




# ASSEMBLY INSTRUCTION




## MODEL :HM909-30 COFFEE TABLE

Before you begin, please follow Assembly Instruction carefully. Then follow them step by step.

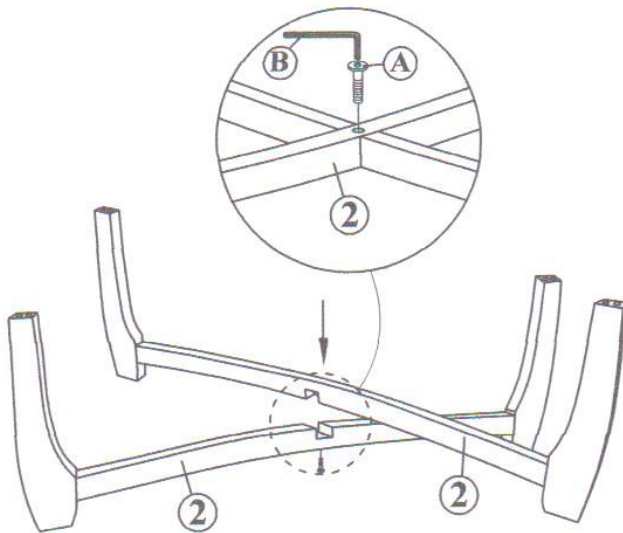
### HARDWARE LIST

A	JCBC M6 x 35mm		9pcs
B	M4 Allen Key		1pc
C	CBS Screw M4 x 32mm		12pcs

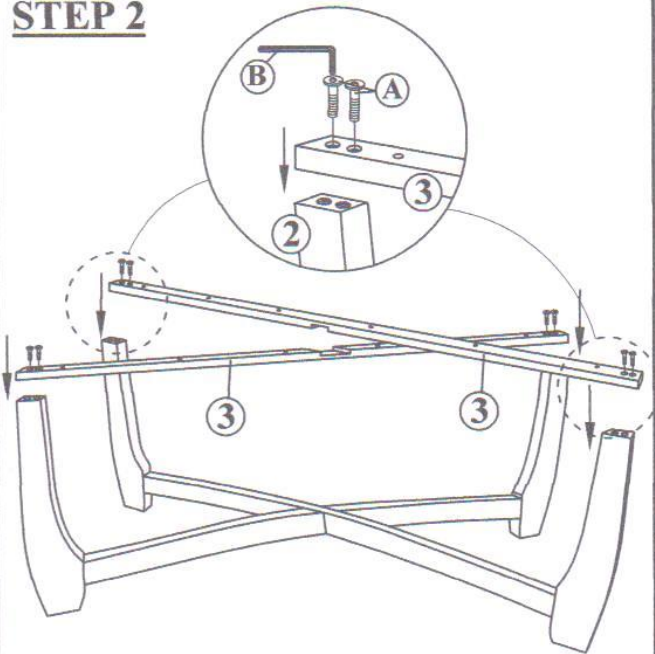
### PART LIST

1	 Table Top	1 pc	2	 Leg	2pcs
3	 Table Support	2pcs			

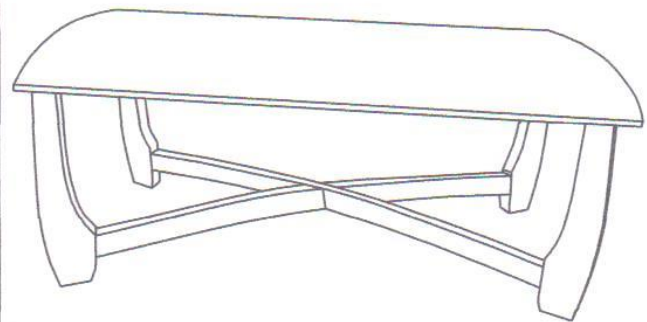
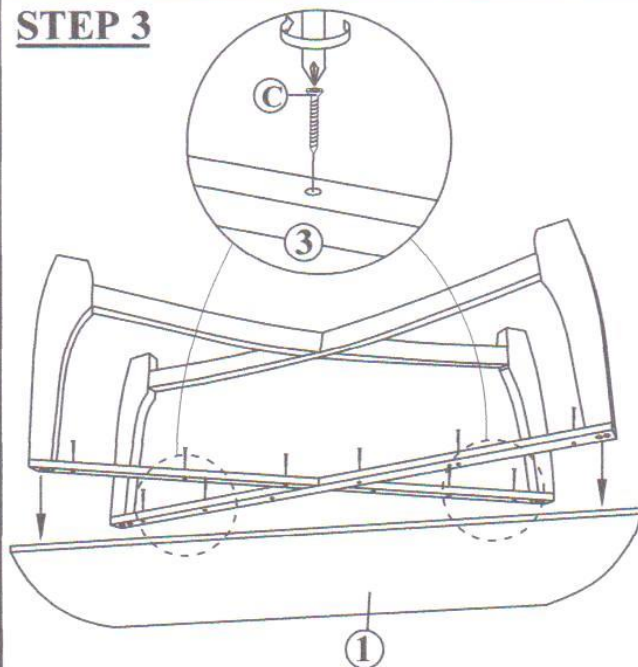
### STEP 1



### STEP 2



### STEP 3



**FULLY SET**