


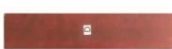







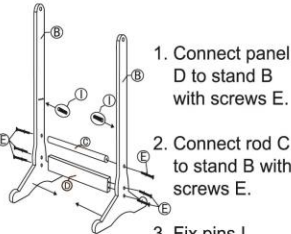
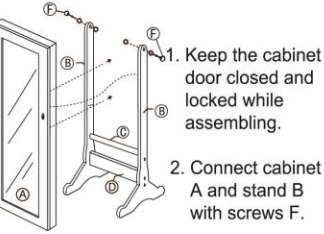
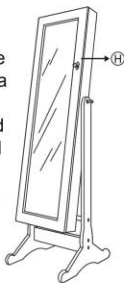
Assistance may be required for assembly of this product

The parts below are included in the product.

The assembly parts are located in the bottom drawer of the cabinet.

 <p>A</p> <p>1 piece</p> <p>Jewellery cabinet with mirror</p>	 <p>B</p> <p>2 pieces</p> <p>Stand</p>	 <p>C</p> <p>1 piece</p> <p>Connecting rod</p>	 <p>D</p> <p>1 piece</p> <p>Connecting panel</p>
 <p>E</p> <p>6 sets</p> <p>Screw set</p>	 <p>F</p> <p>2 sets</p> <p>Round-headed screw set</p>	 <p>G</p> <p>1 piece</p> <p>Hex key</p>	 <p>H</p> <p>1 set</p> <p>Door key</p>
 <p>I</p> <p>2 pieces</p> <p>Angle lock pin</p>			

Assembly Instruction

Step One	Step Two	Step Three
 <ol style="list-style-type: none"> 1. Connect panel D to stand B with screws E. 2. Connect rod C to stand B with screws E. 3. Fix pins I securely to both sides of stand B. 	 <ol style="list-style-type: none"> 1. Keep the cabinet door closed and locked while assembling. 2. Connect cabinet A and stand B with screws F. 3. For easier assembling, lay cabinet A down on a large flat surface. 	 <p>Adjust the mirror to a desired angle and use pins I to fix securely.</p>

Maintenances:

1. Avoid exposure to direct sunlight and heat sources.
2. Keep the cabinet door closed when not in use.
3. Use mild furniture cleaners to clean the cabinet.
4. Open the cabinet door gently, to avoid falling of contents or the mirror.
5. The new cabinet may have paint odour upon unpack, it will disappear in a short period of time.

Mirrored Jewellery Cabinet



Photos are for illustration purposes only