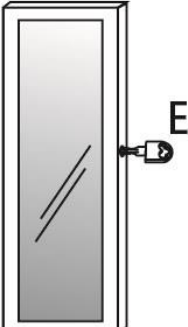
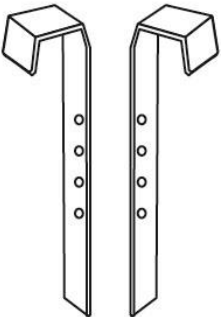

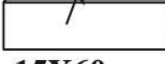

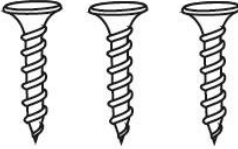
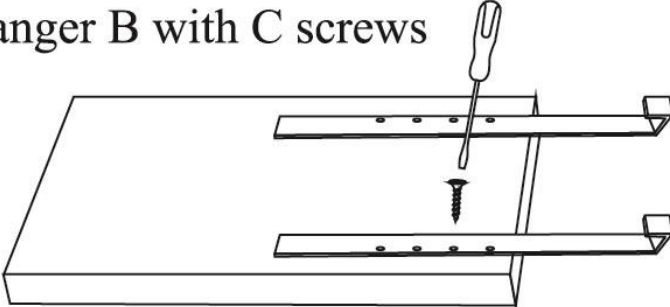
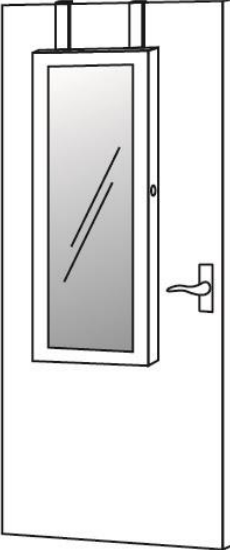


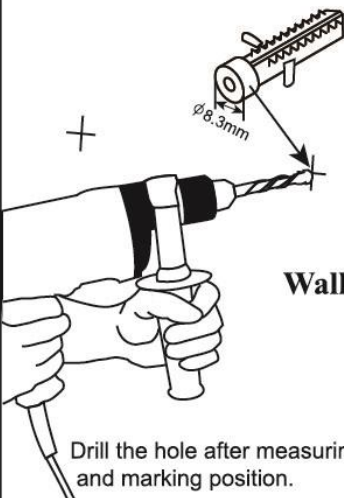
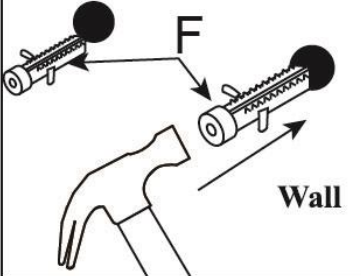
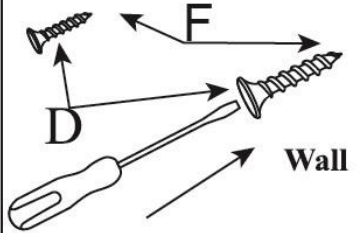
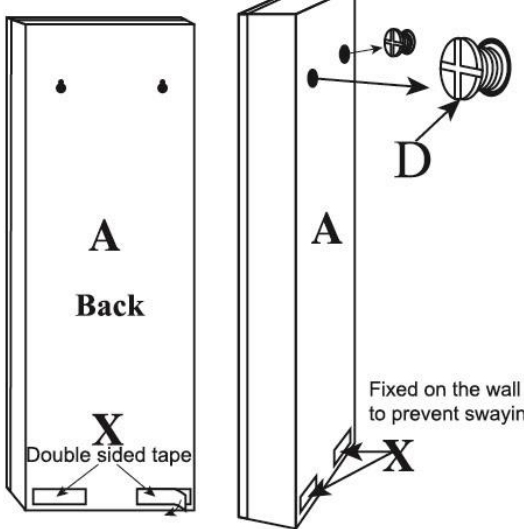
Wooden Mirror Jewellery cabinet

Assembly instruction (Hang over the Door and wall mount)

Hang over the door

<p>A</p>  <p>1pcs</p>	<p>B</p>  <p>1pair (2pcs)</p>	<p>C</p>  <p>6pcs</p> <p>Double sided tape</p>  <p>15X60mm X 2 PCS</p>	<p>Wall mount :</p> <p>F</p>  <p>3PCS</p> <p>D</p>  <p>3X28mm Screws 3 set</p>
<p>fix hanger B with C screws</p> 			

Wall mount :

 <p>Drill the hole after measuring and marking position.</p>	 <p>Wall</p>  <p>Wall</p>	 <p>A Back</p> <p>X Double sided tape</p> <p>Fixed on the wall to prevent swaying.</p>
---	---	---

MUST BE INSTALLED BY PROFESSIONAL TRADES PERSON!