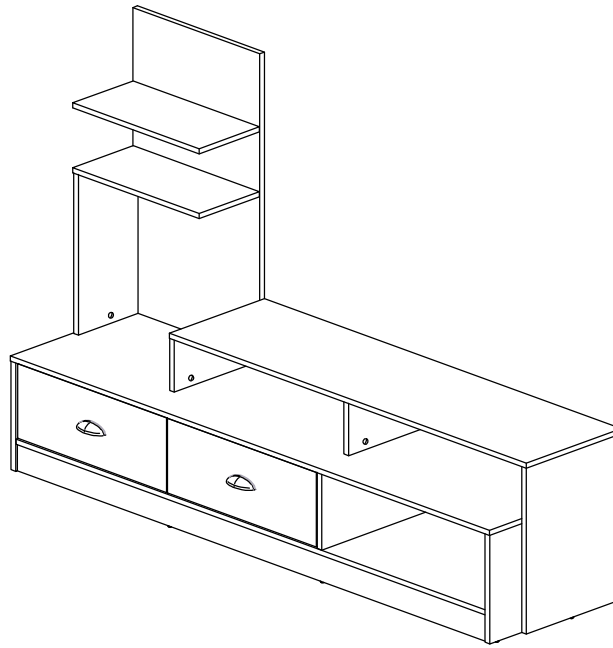
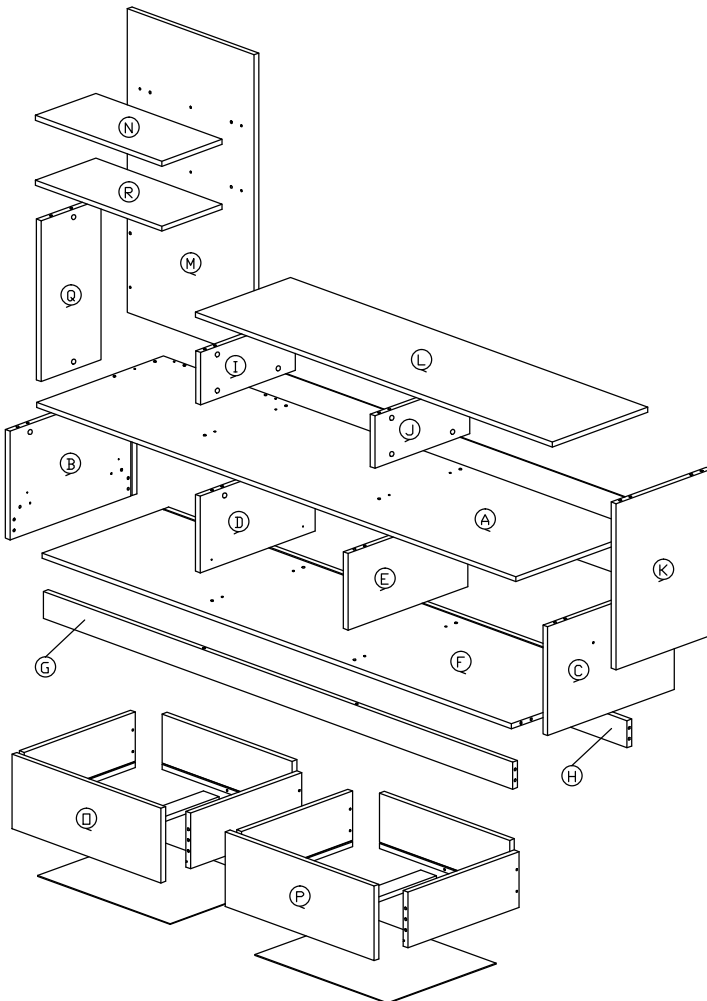


Assembly Instruction

Model : FTV - 906



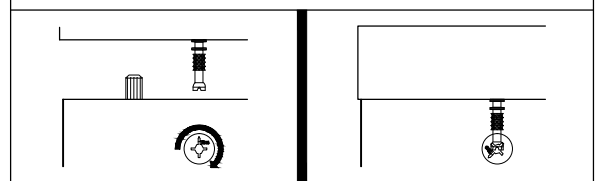
Part List



Hardware List

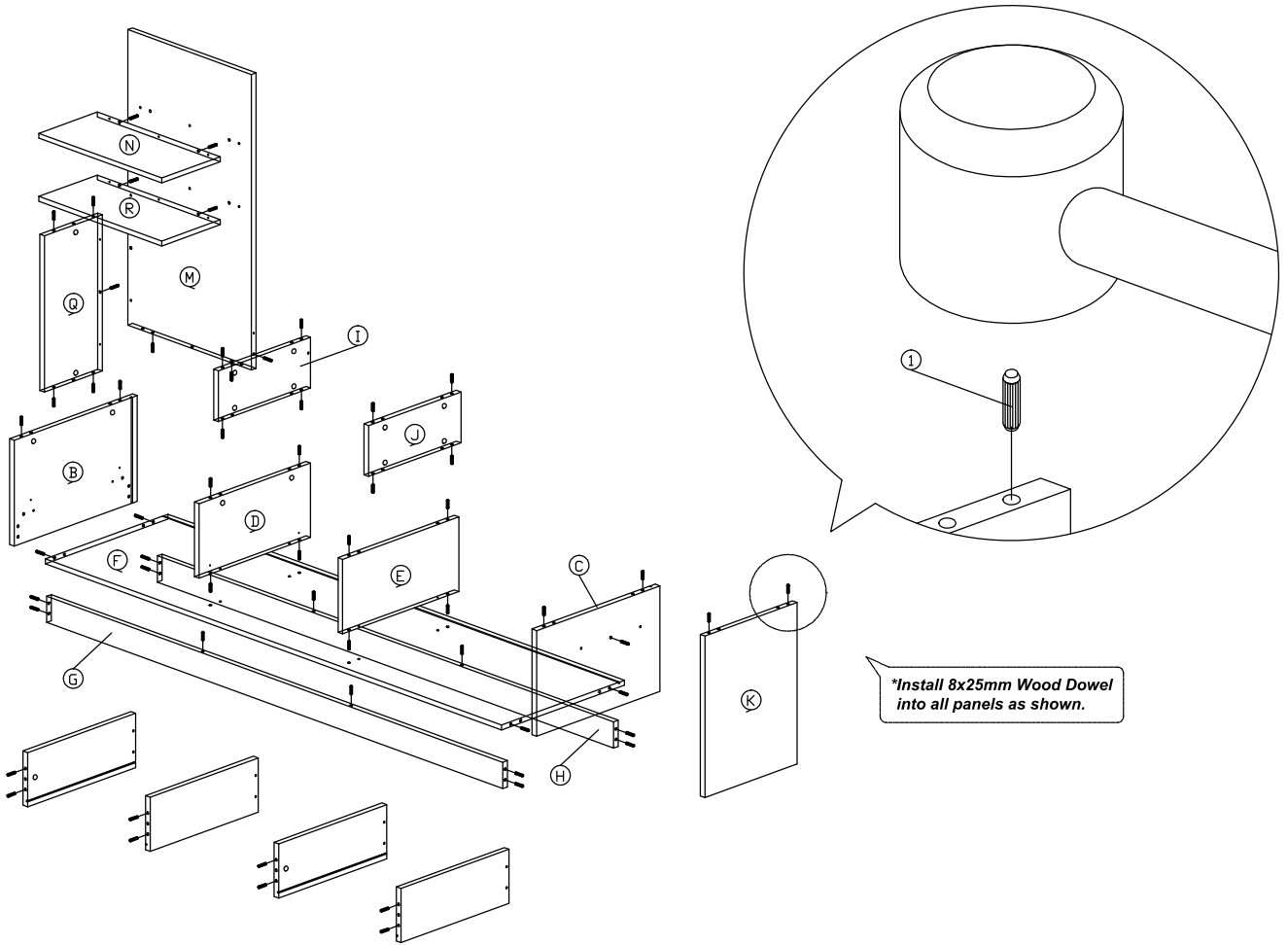
No.	SHAPE	DESCRIPTION	Qty.
1		8x25mm Wood Dowel	59Pcs
2		15MM Titus Mini Fix	33Sets
3		M5x8mm Screw (Euro Screw)	8Pcs
4		M3.5x15mm Screw	12Pcs
5		M3.5x25mm Screw	2Pcs
6		M4x38mm Screw	10Pcs
7		M5x38mm Screw	13Pcs
8		Nail	6Pcs
9		15mm Minifix Cap	18Pcs
10		Nail Leg	6Pcs
11		Drawer Slide 14" (350mm)	2Sets
12		Handle 3560 (64mm) Handle Screw M4x20mm	2Sets
13		L Bracket	2Pcs

Dowel / Cam - Lock Installation

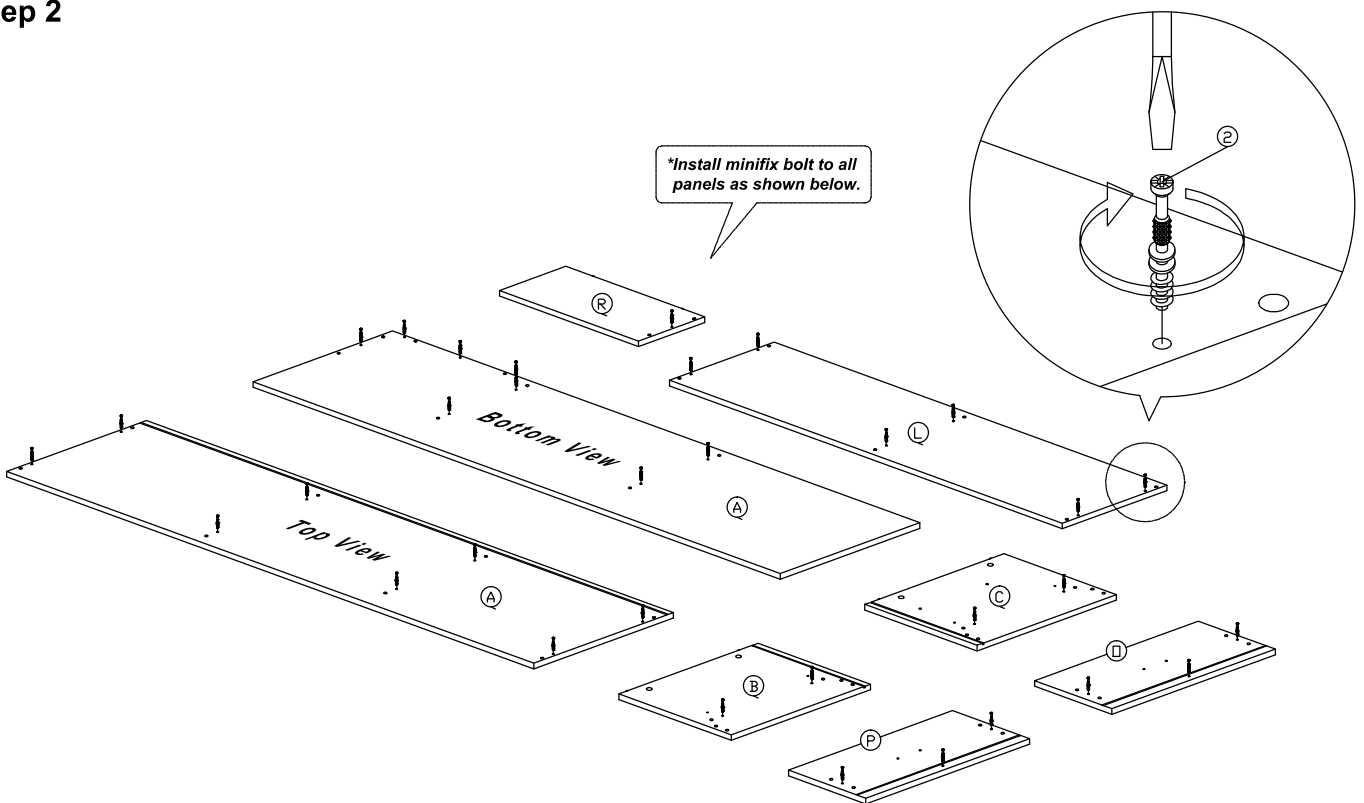


Assembly Instruction

Step 1

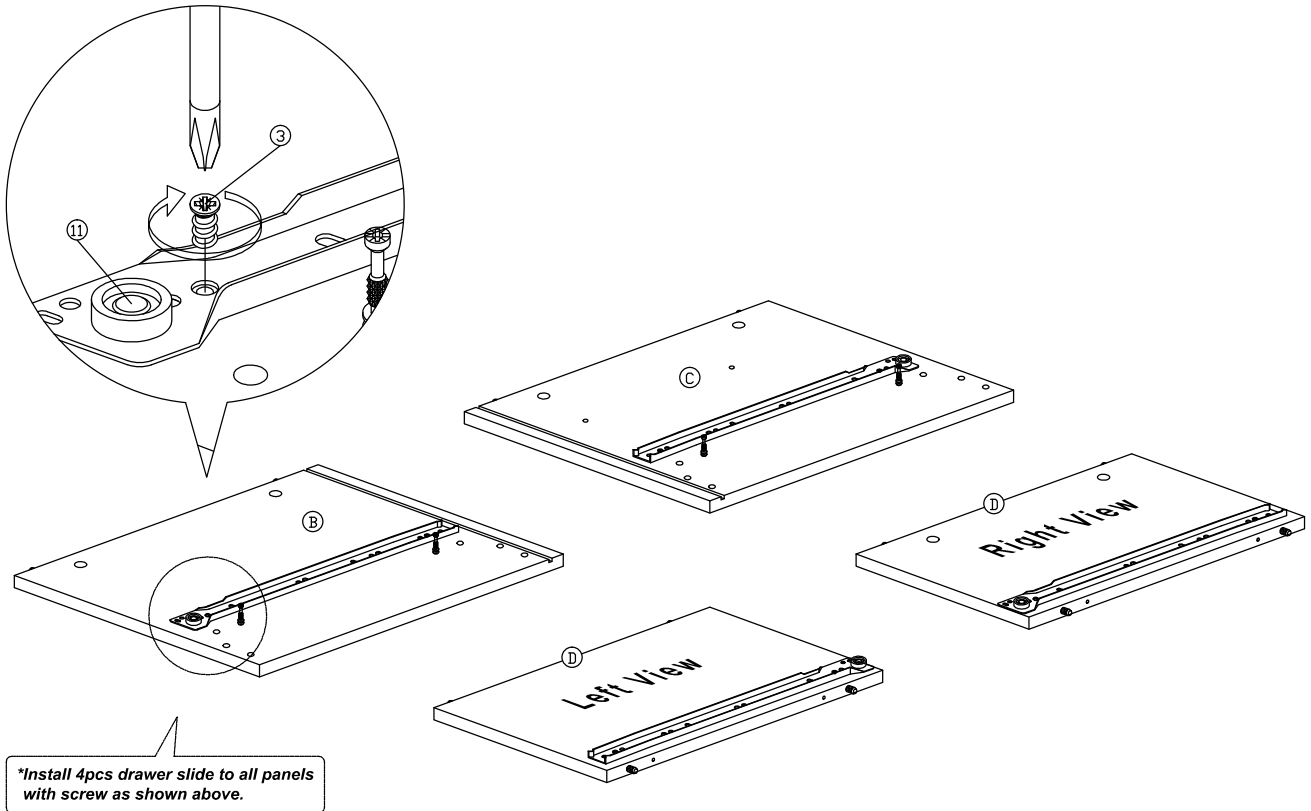


Step 2

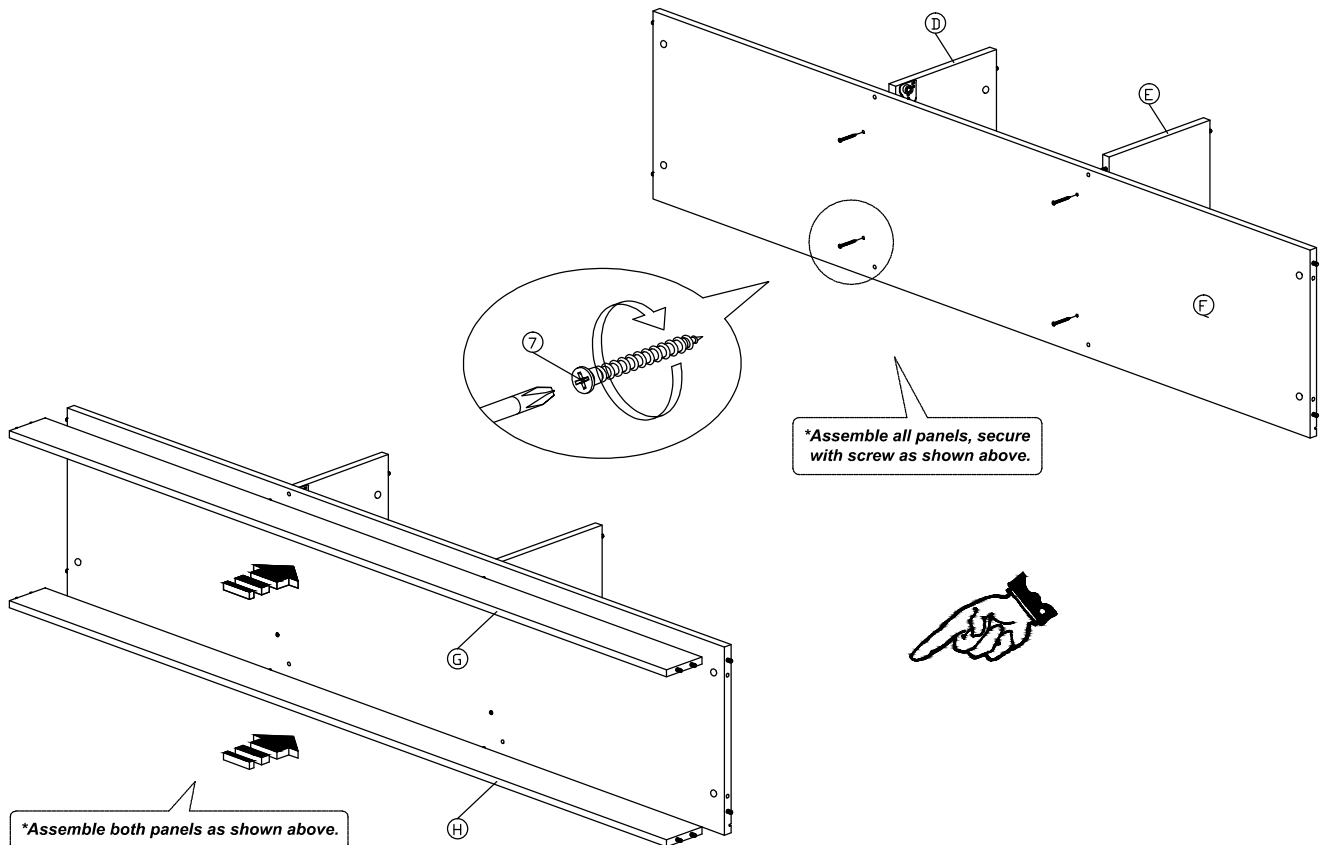


Assembly Instruction

Step 3

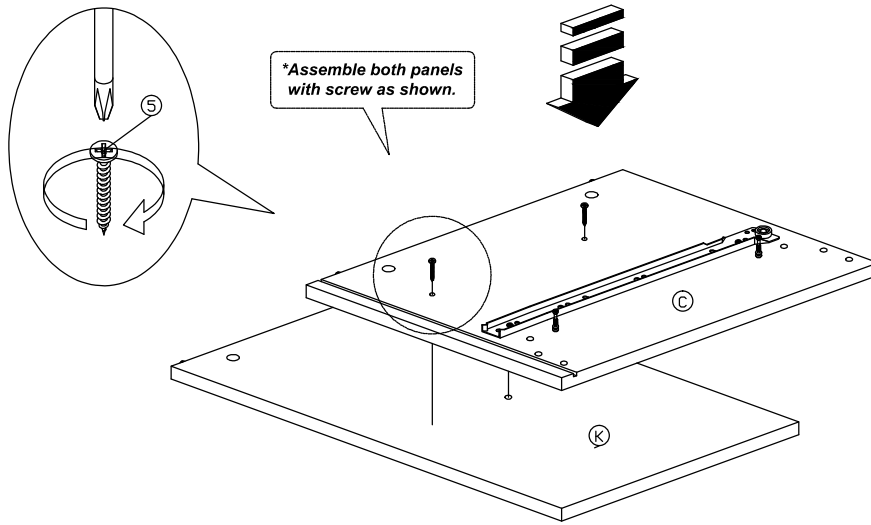


Step 4

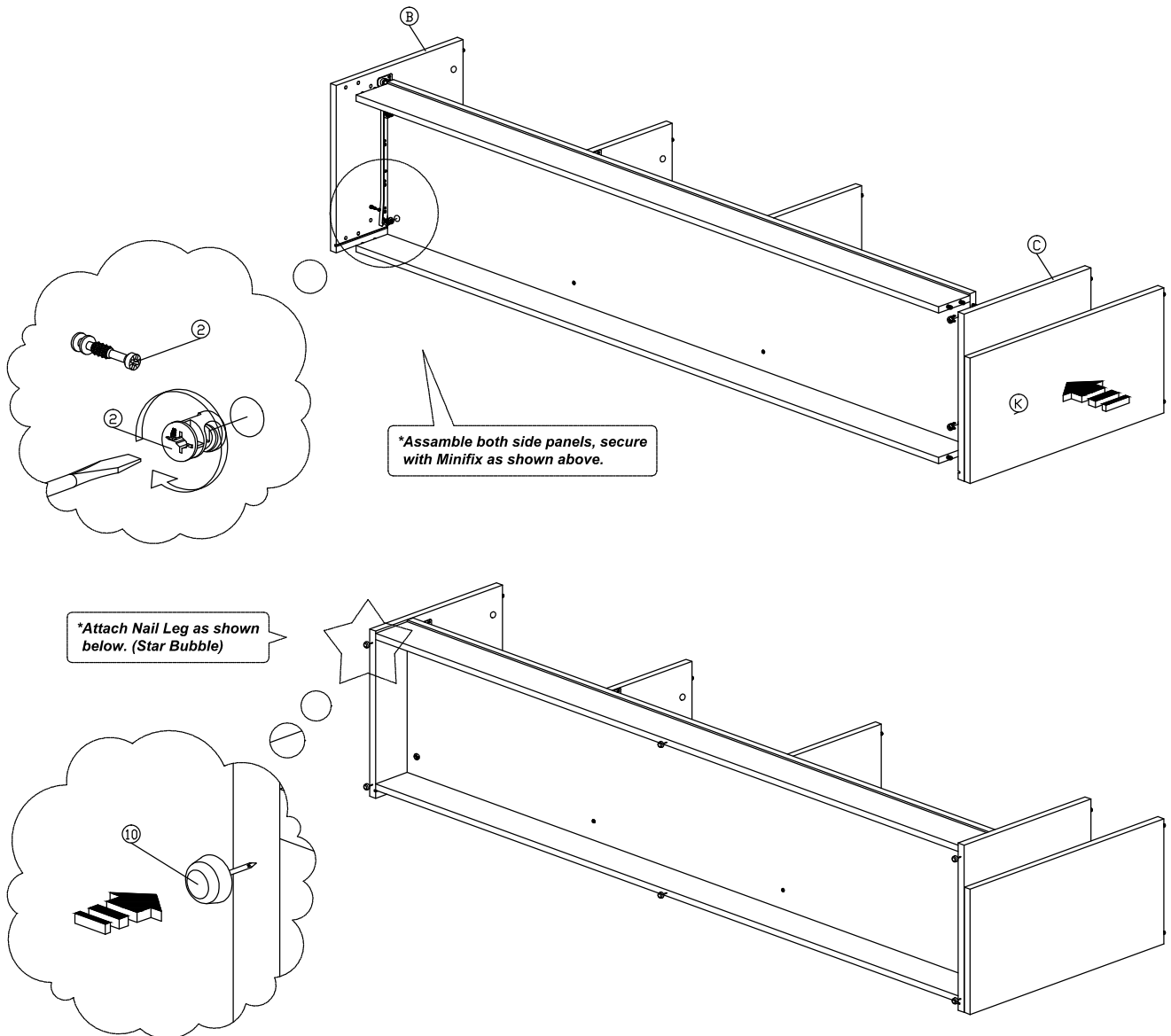


Assembly Instruction

Step 5

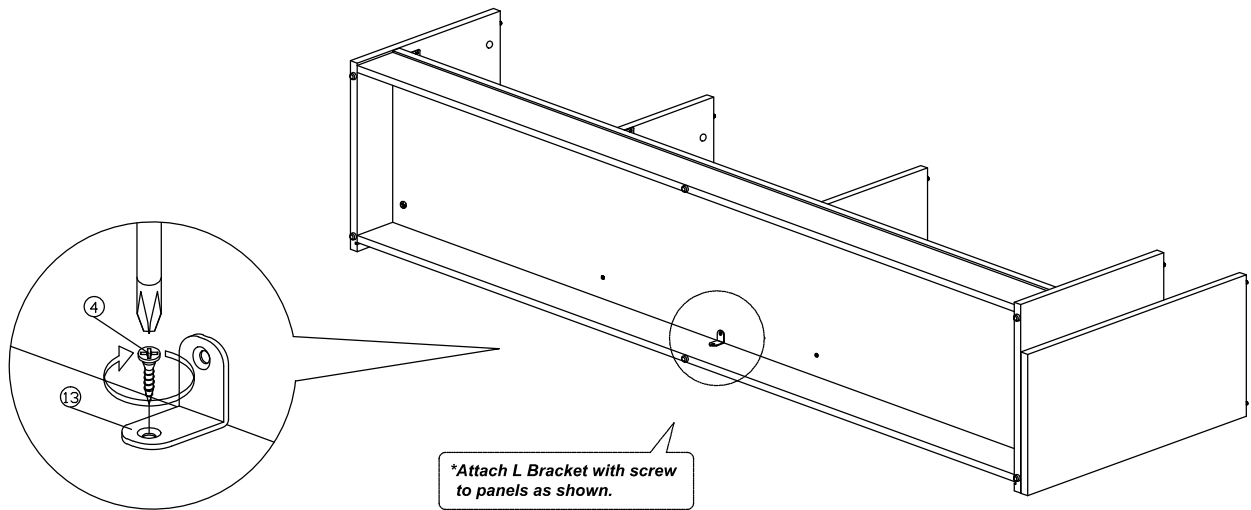


Step 6

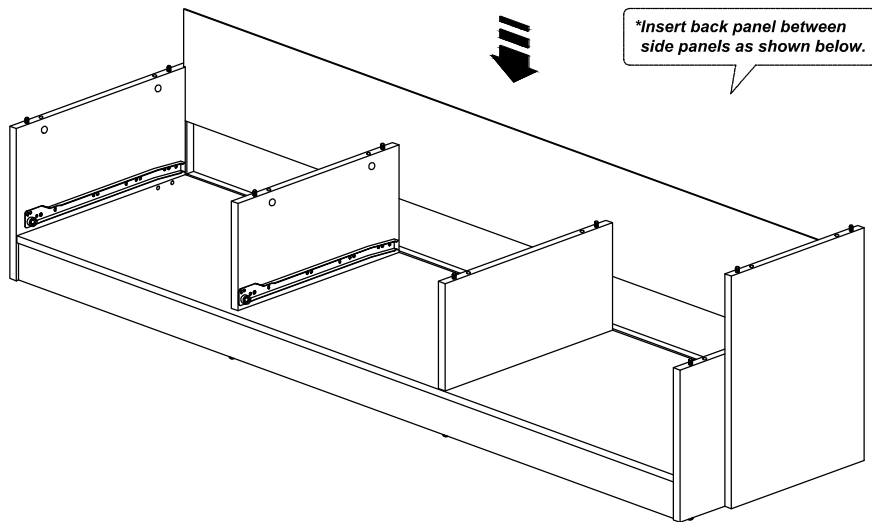


Assembly Instruction

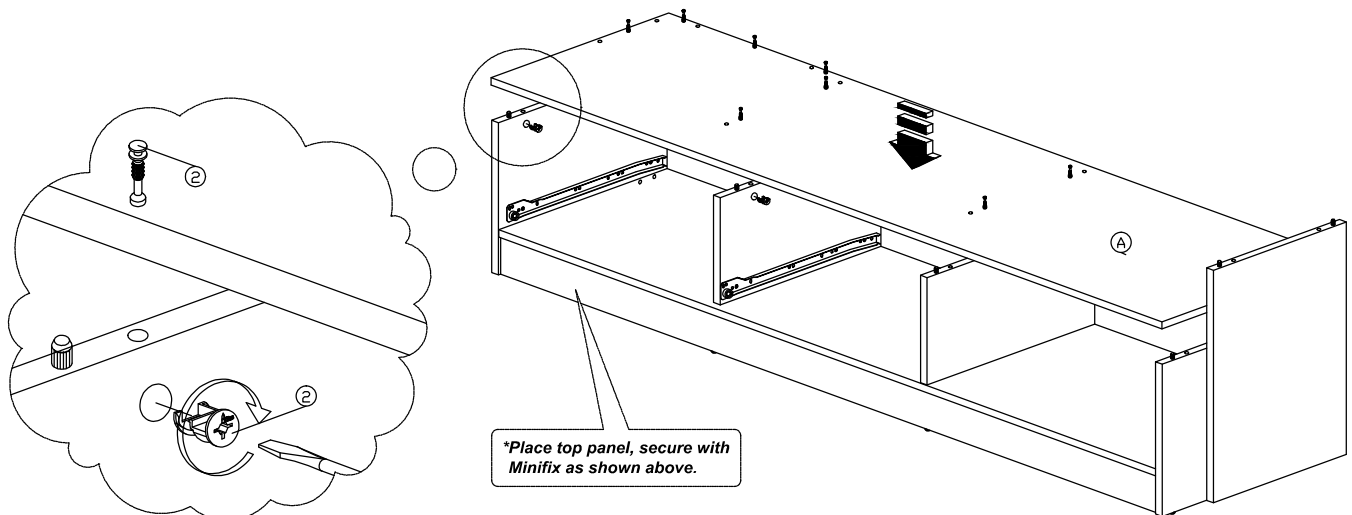
Step 7



Step 8

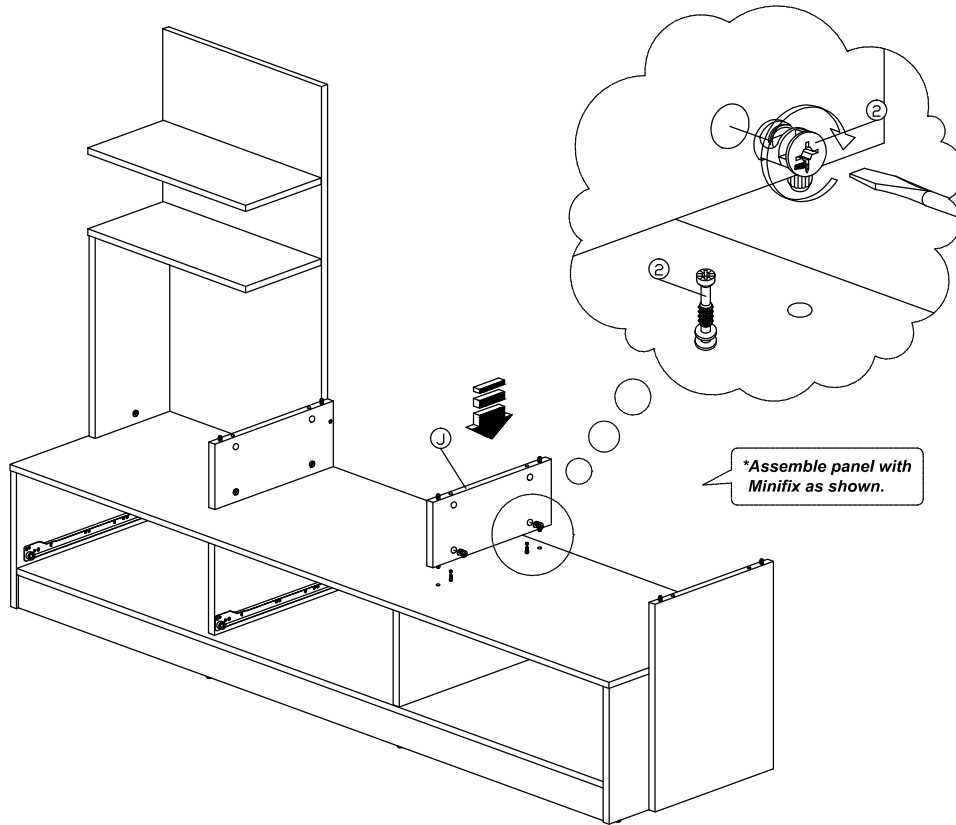


Step 9

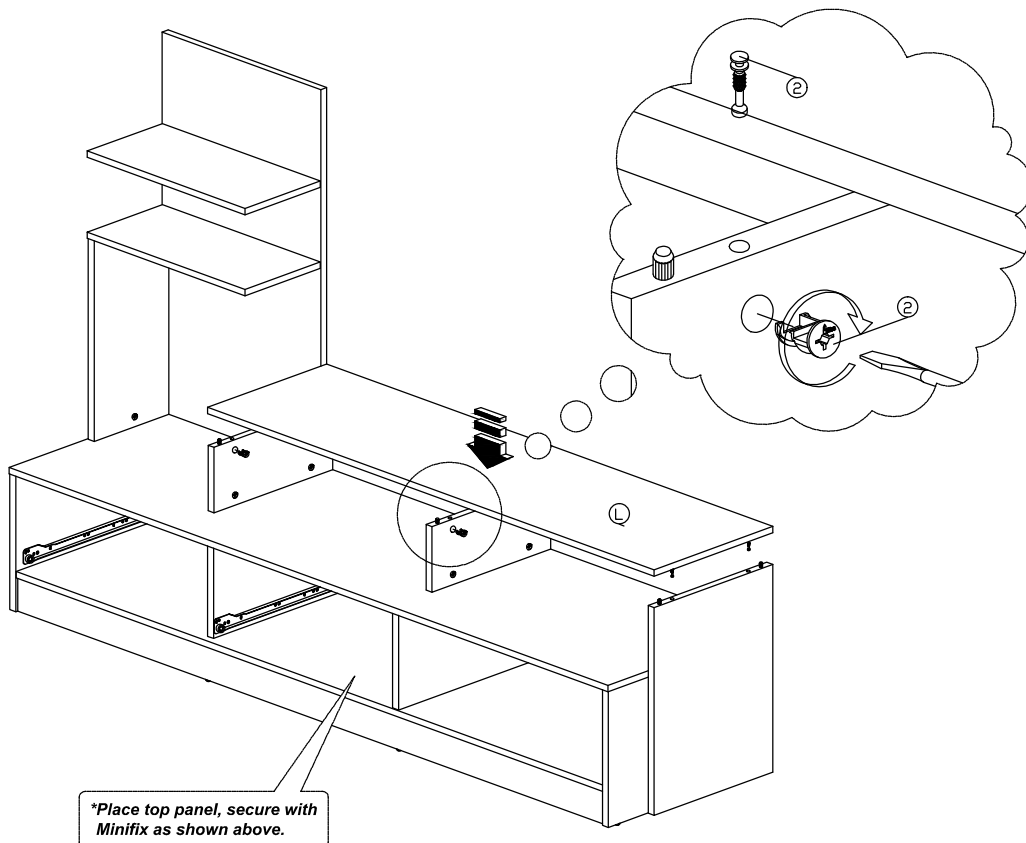


Assembly Instruction

Step 12

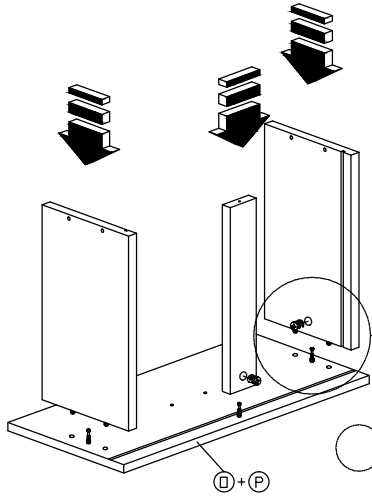


Step 13



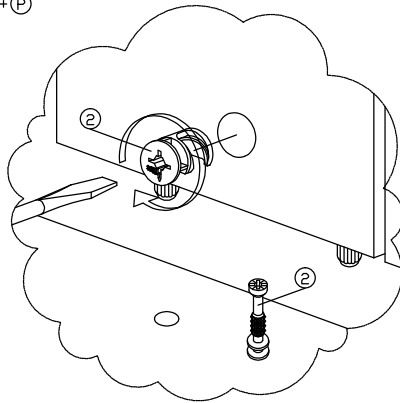
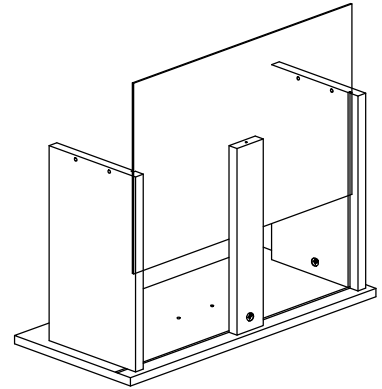
Assembly Instruction

Step 14

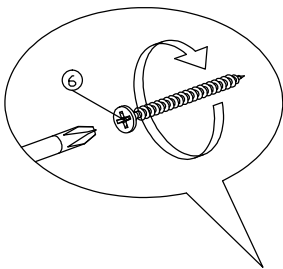


**Assemble drawer panels, secure with Minifix as shown.*

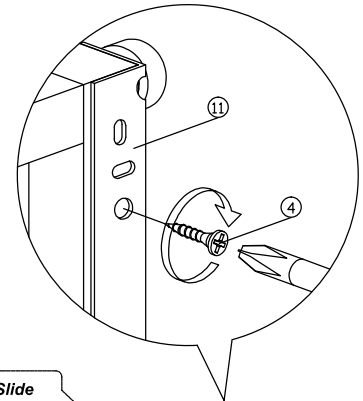
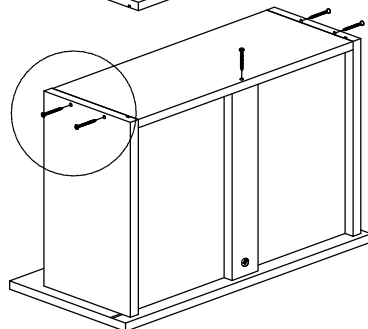
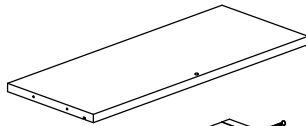
**Insert drawer bottom as shown below.*



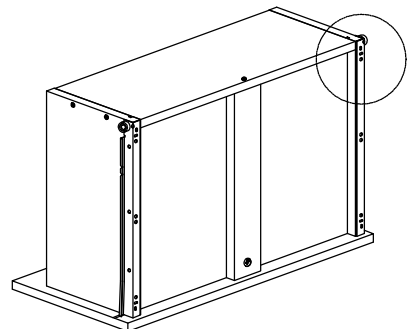
Step 15



**Insert drawer back, secure with screw as shown.*

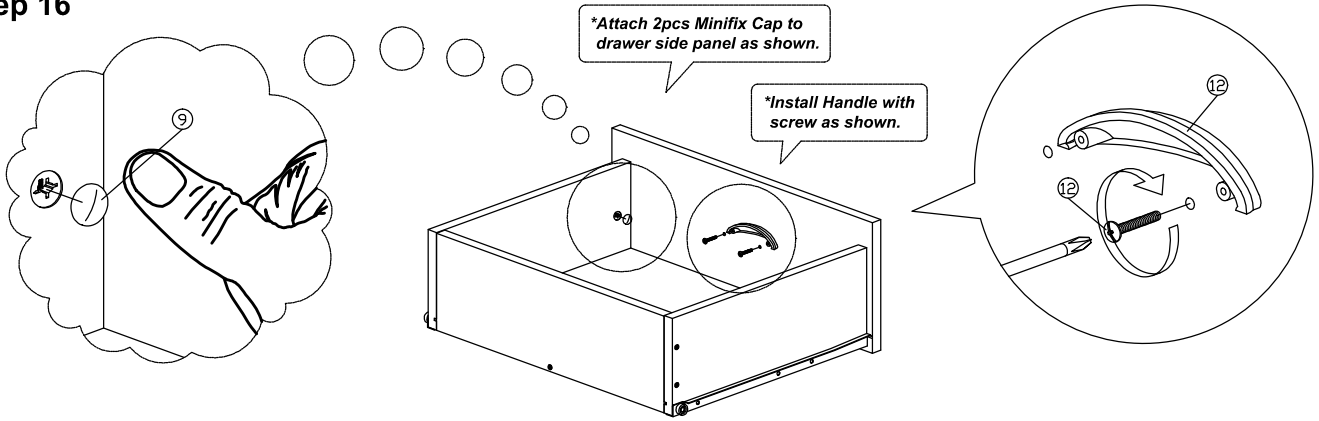


**Install Drawer Slide with screw as shown.*



Assembly Instruction

Step 16



Step 17

