

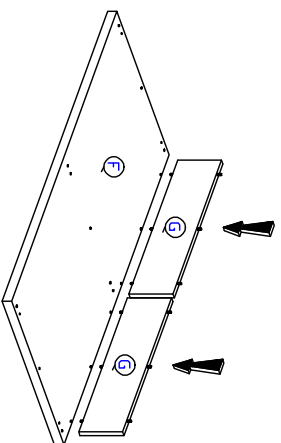
Assembly Instruction



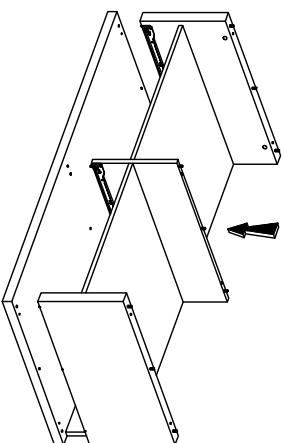
Model : FTV 890



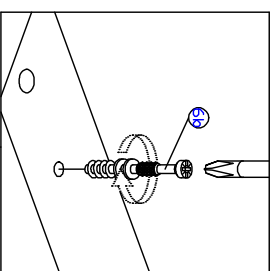
Step 8



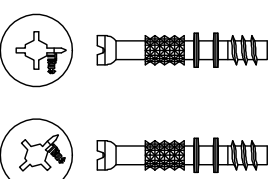
Step 9



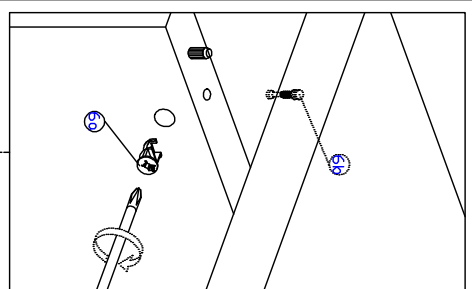
Step 10



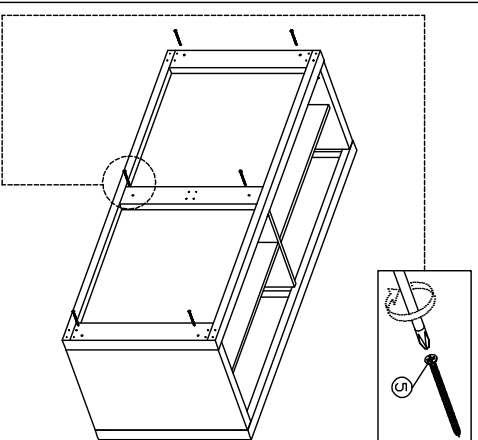
Step 11



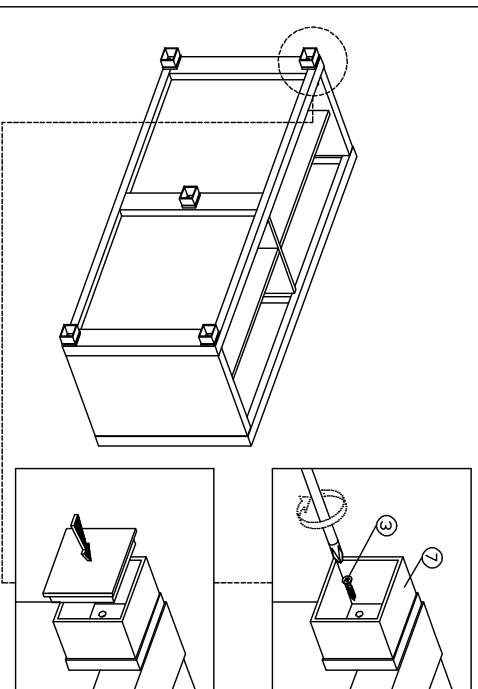
Step 12



Step 13



Step 14



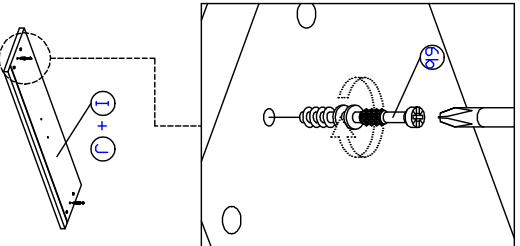
Assembly Instruction



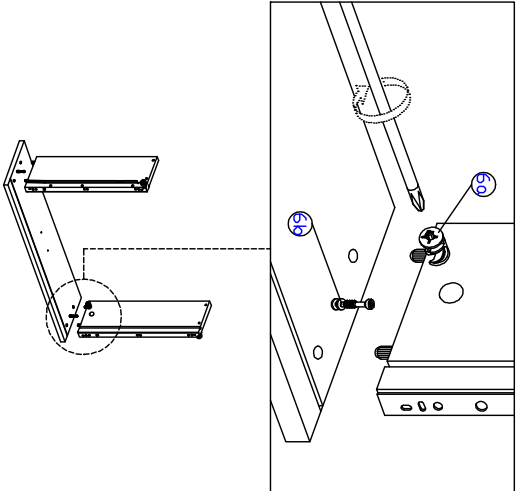
Model : FTV 890



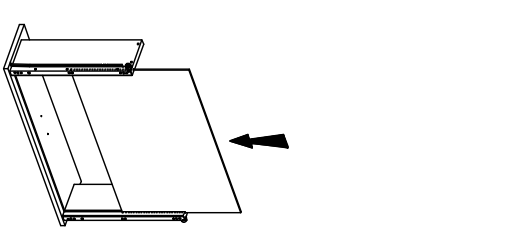
Step 15



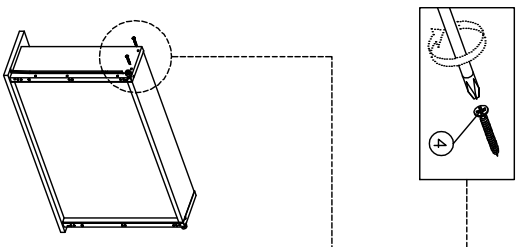
Step 16



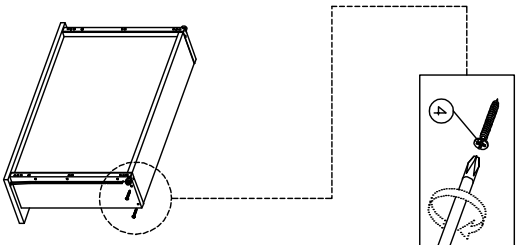
Step 17



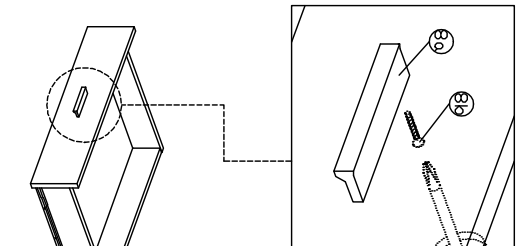
Step 18



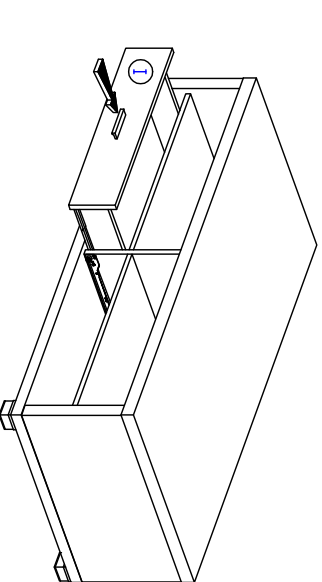
Step 19



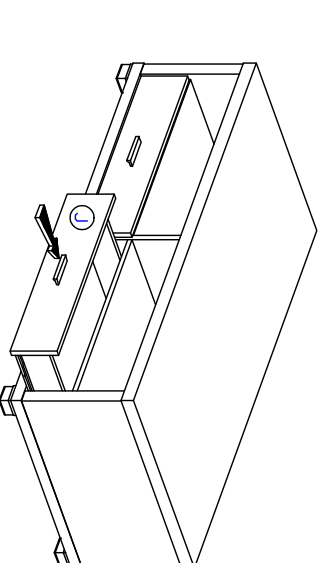
Step 20



Step 21



Step 22



Complete

