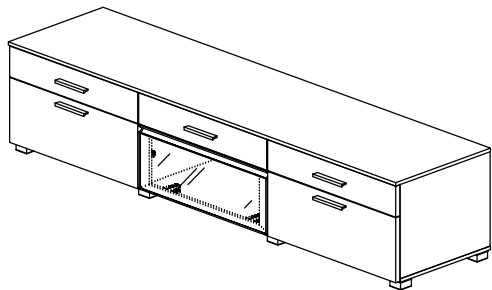
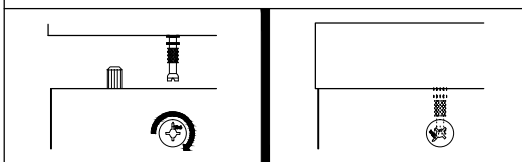


Assembly Instruction

Model : FTV - 4127



Dowel / Cam - Lock Installation

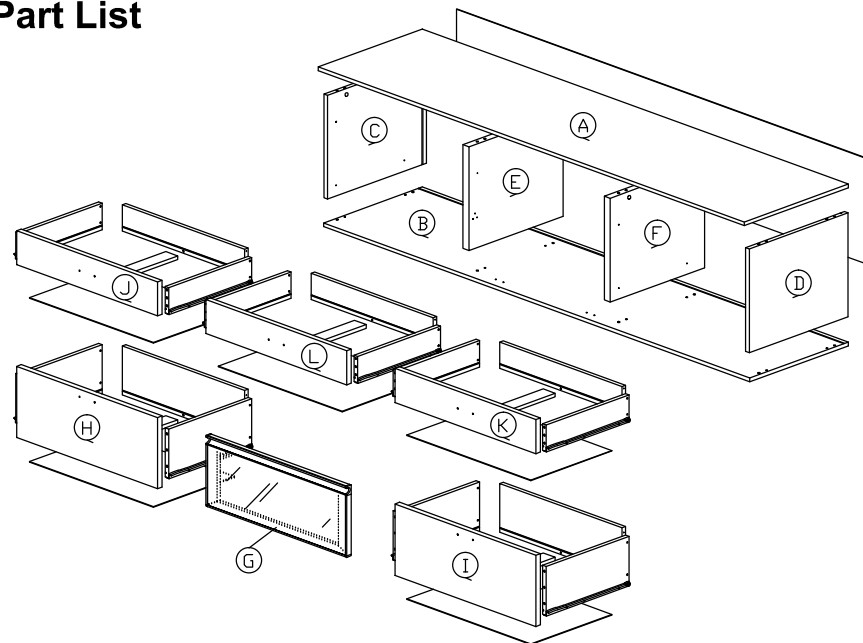


Hardware List

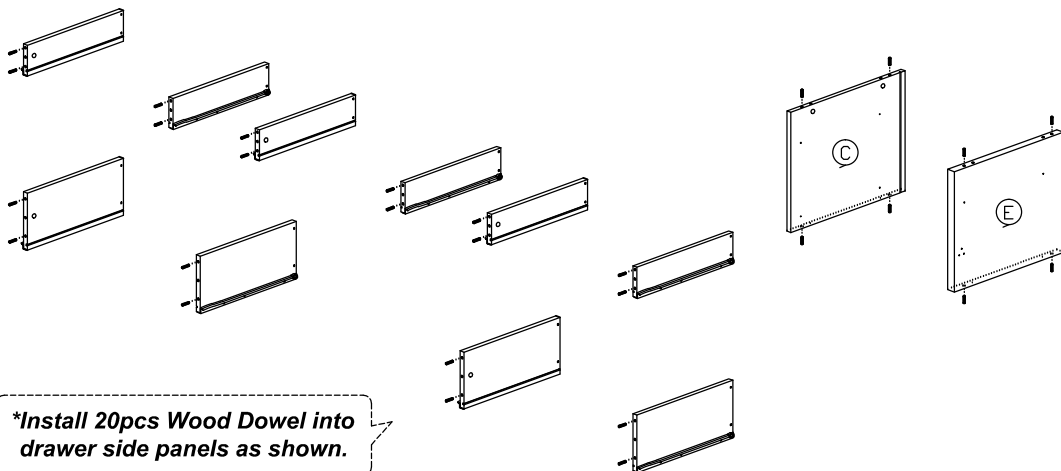
No.	SHAPE	DESCRIPTION	Qty.
-----	-------	-------------	------

1		8x25mm Wood Dowel	36Pcs
2		15MM Titus Mini Fix	23Sets
3		PH Self Drilling Screw #6 x 3/8"	4Pcs
4		M3.5x15mm Screw	58Pcs
5		M4x38mm Screw	25Pcs
6		M5x38mm Screw	8Pcs
7		TP 10#x1/2" Screw	8Pcs
8		Nail	6Pcs
9		Drawer Slide 14" (350mm)	5Sets
10		PVC Square Leg	8Pcs
11		Handle L Shape (133mm) M3.6x31mm Screw	5Sets
12		8" Chest Stay	2Sets
13		Hinges (F011)	2Sets

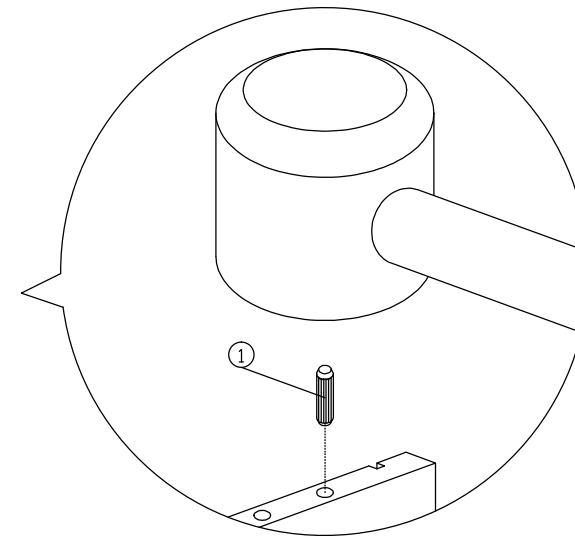
Part List



Step 1



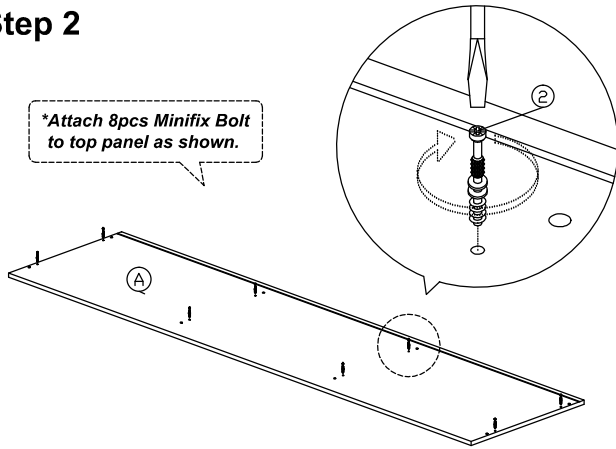
*Install 16pcs Wood Dowel into all panels as shown.



Assembly Instruction

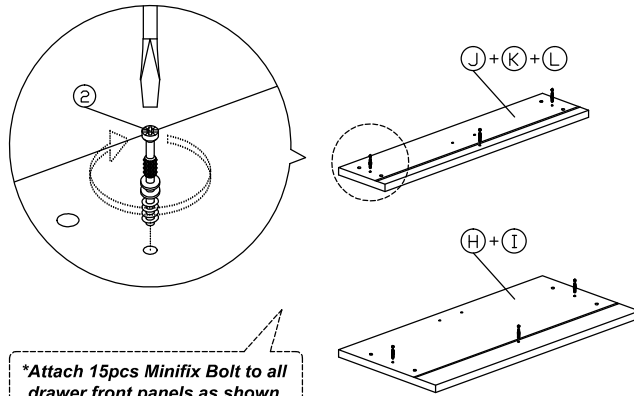
Step 2

*Attach 8pcs Minifix Bolt to top panel as shown.



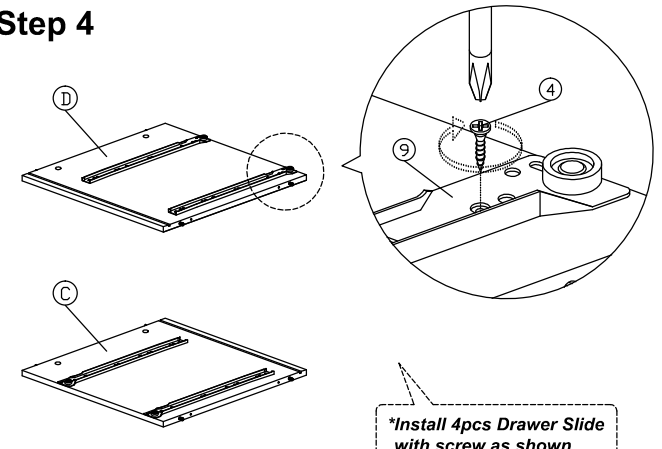
Step 3

*Attach 15pcs Minifix Bolt to all drawer front panels as shown.



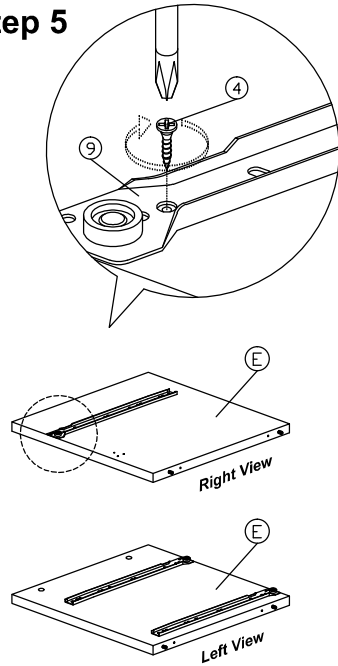
Step 4

*Install 4pcs Drawer Slide with screw as shown.



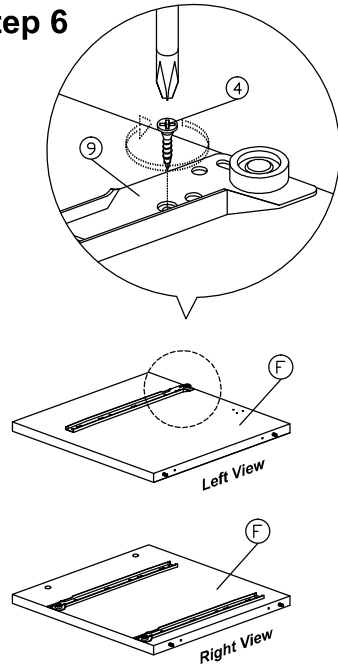
Step 5

*Install 3pcs Drawer Slide with screw to both sides of stand panel as shown.



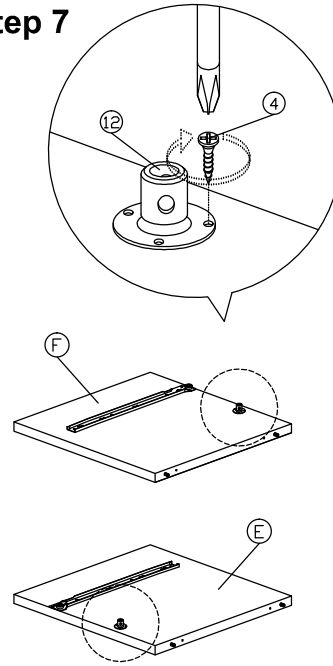
Step 6

*Install 3pcs Drawer Slide with screw to both sides of stand panel as shown.



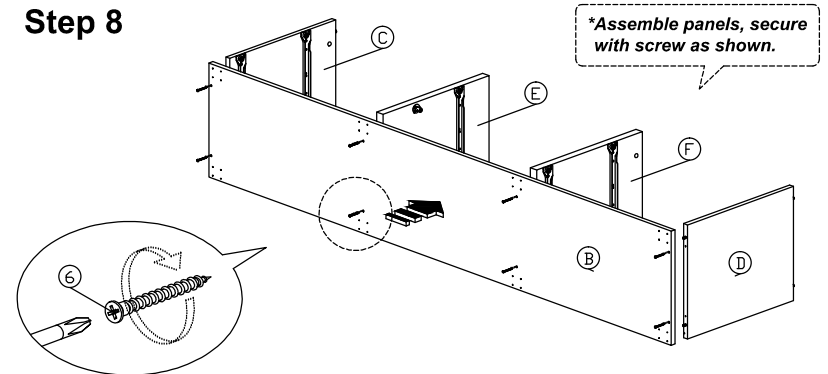
Step 7

*Install 2pcs 8" Chest Stay with screw to stand panels as shown.



Step 8

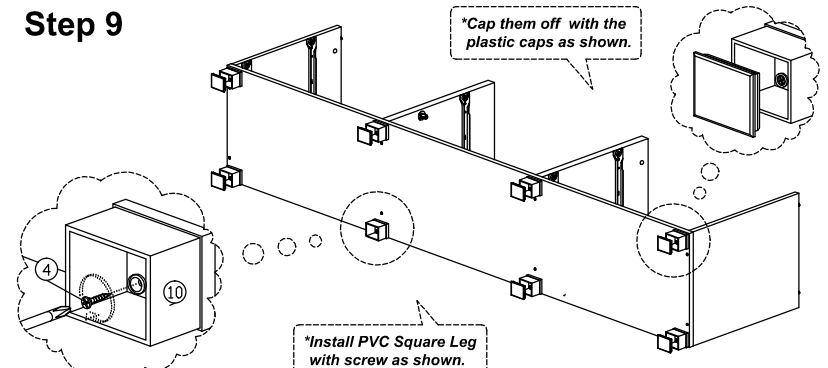
*Assemble panels, secure with screw as shown.



Step 9

*Install PVC Square Leg with screw as shown.

*Cap them off with the plastic caps as shown.

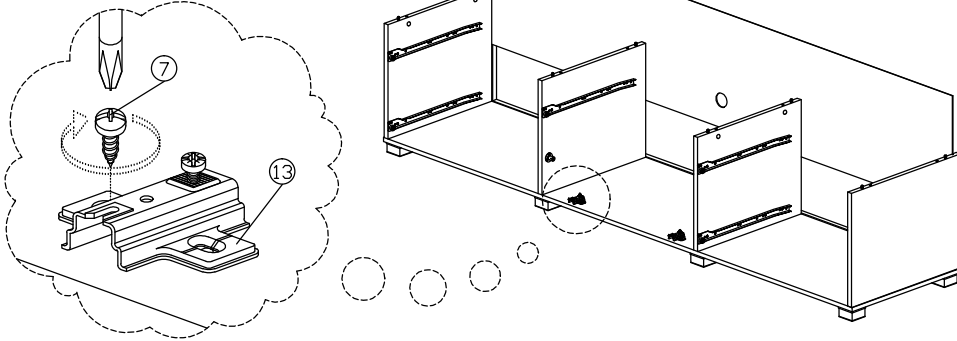


Assembly Instruction

Step 10

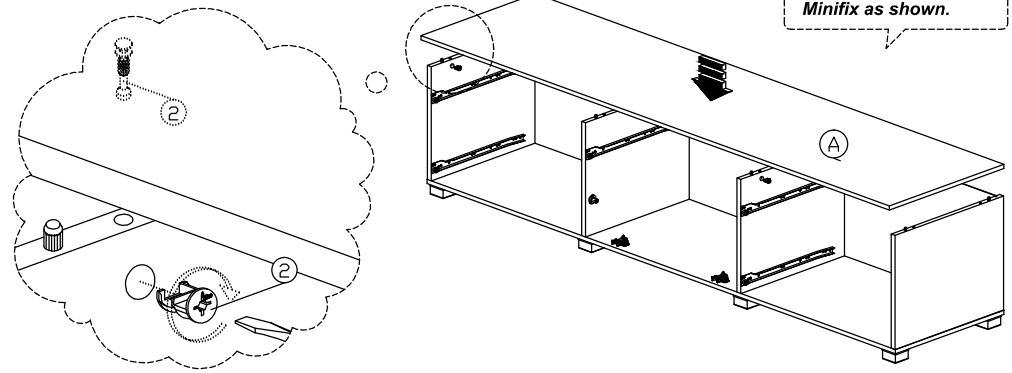
**Install Hinges with screw as shown below.*

**Insert back panel as shown.*

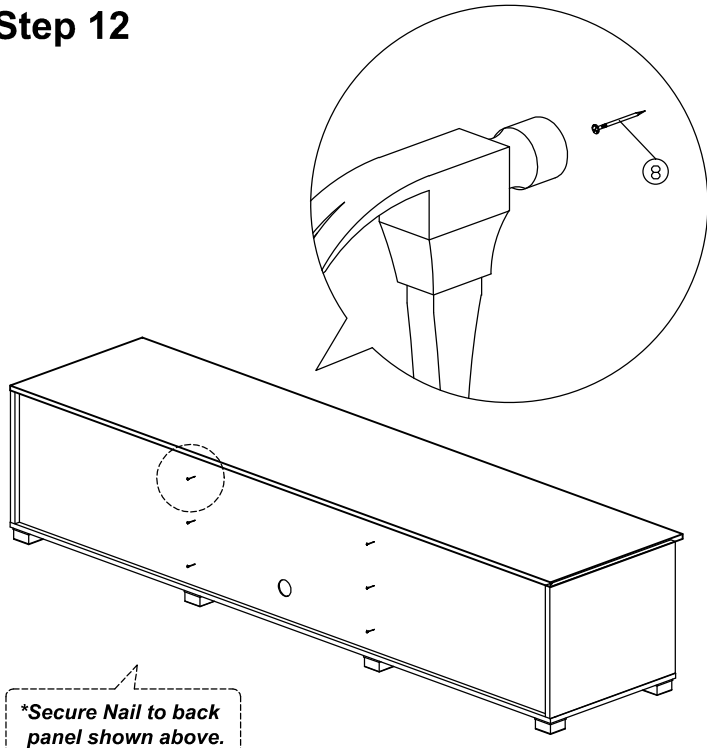


Step 11

**Place Top, secure with Minifix as shown.*

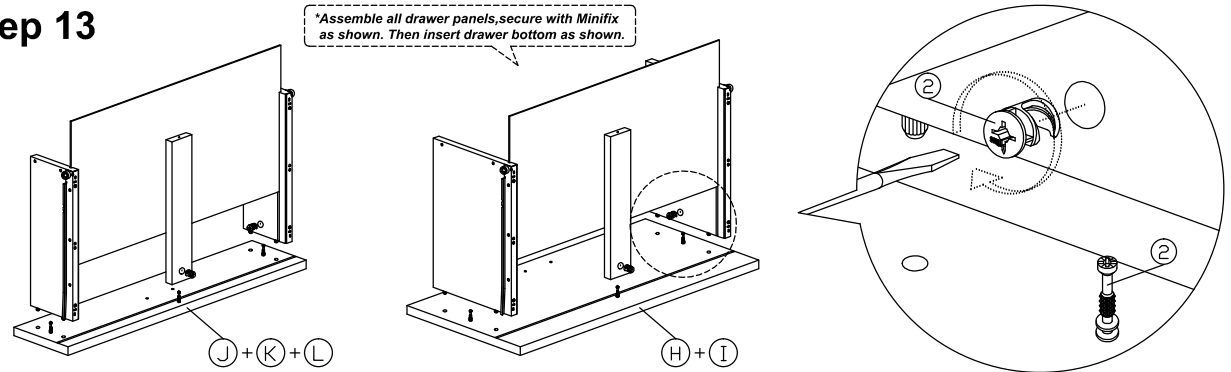


Step 12



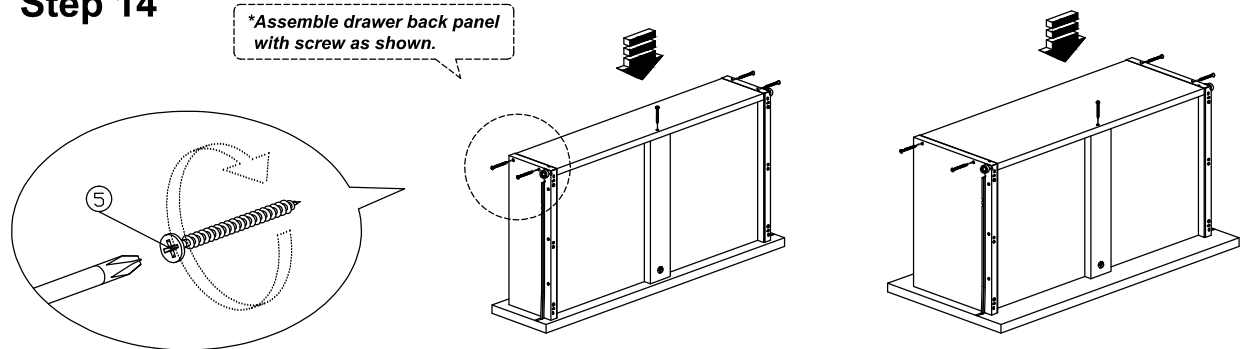
Step 13

**Assemble all drawer panels, secure with Minifix as shown. Then insert drawer bottom as shown.*



Step 14

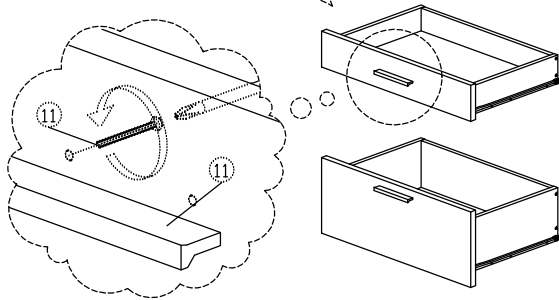
**Assemble drawer back panel with screw as shown.*



Assembly Instruction

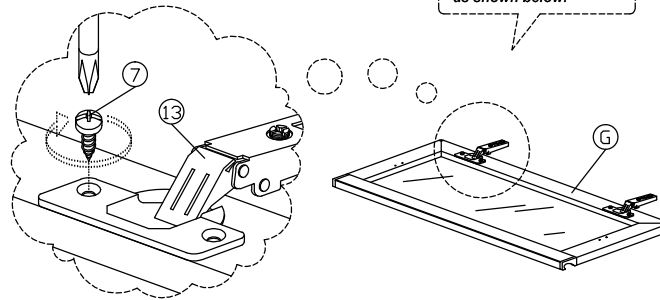
Step 15

**Install Handle to all drawer fronts with screw as shown.*



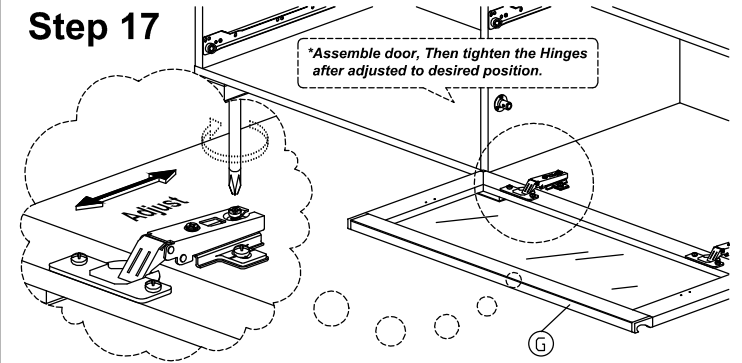
Step 16

**Install Hinges with screw as shown below.*



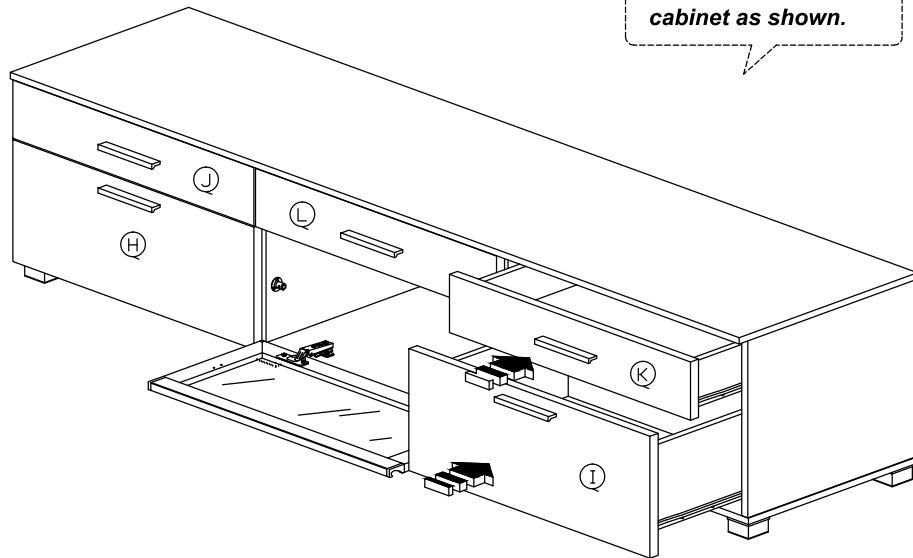
Step 17

**Assemble door, Then tighten the Hinges after adjusted to desired position.*



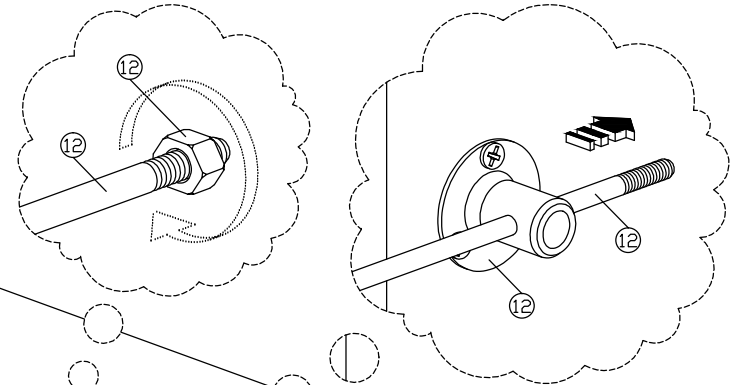
Step 18

**Place all drawers into cabinet as shown.*



Step 19

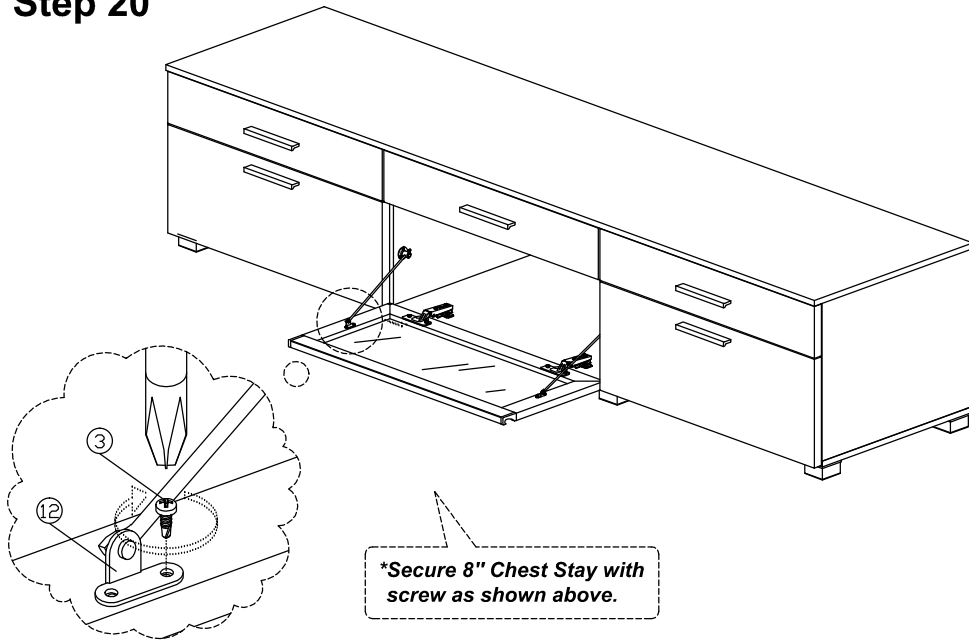
**Ensure to remove the nut before insert metal rod as shown.*



**Insert metal rod to the hole as shown above.*

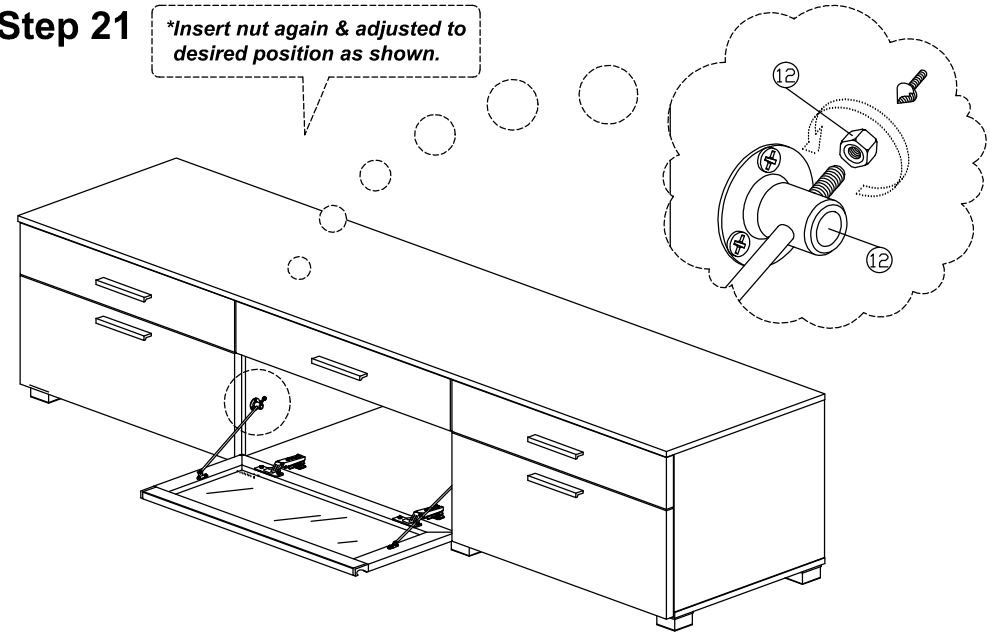
Assembly Instruction

Step 20



Step 21

**Insert nut again & adjusted to desired position as shown.*



Complete

