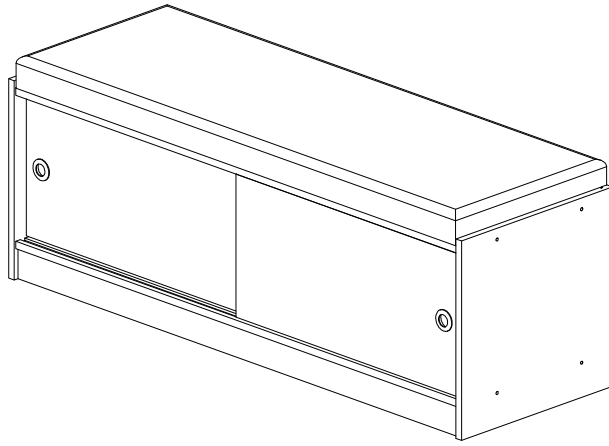
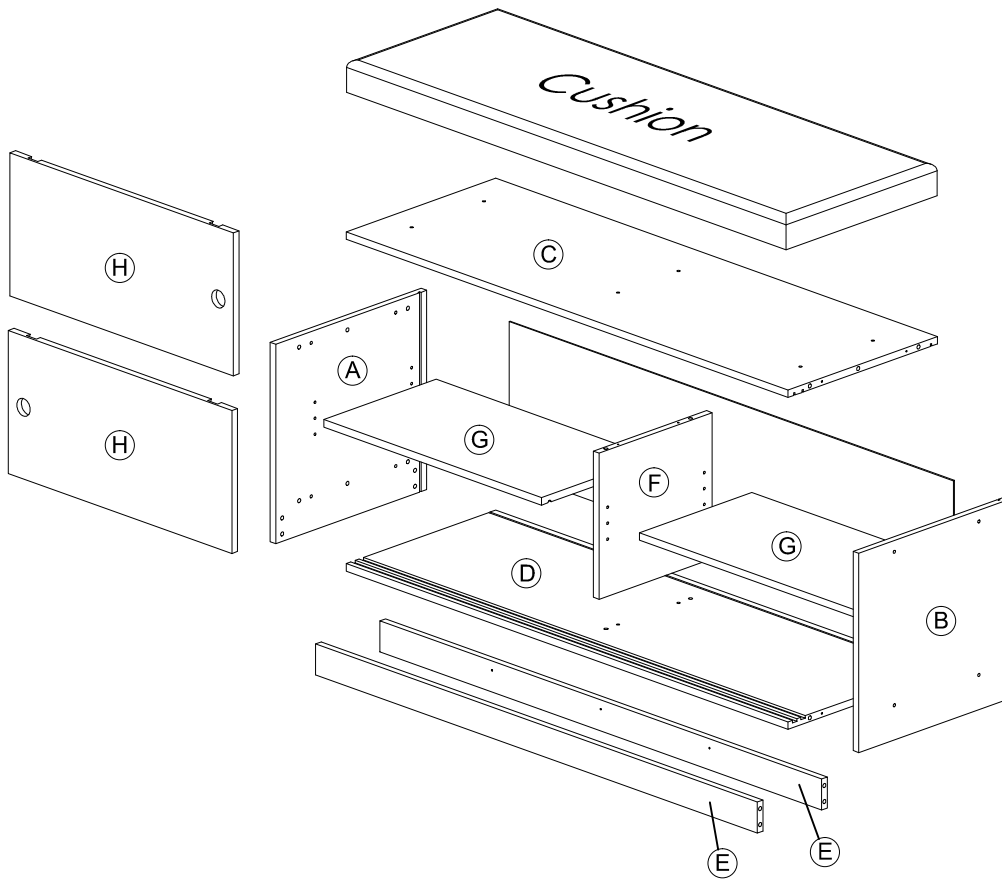


Assembly Instruction

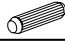
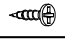
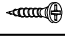
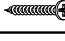
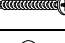
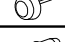

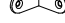
Model : WI6790

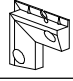

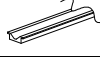




Part List

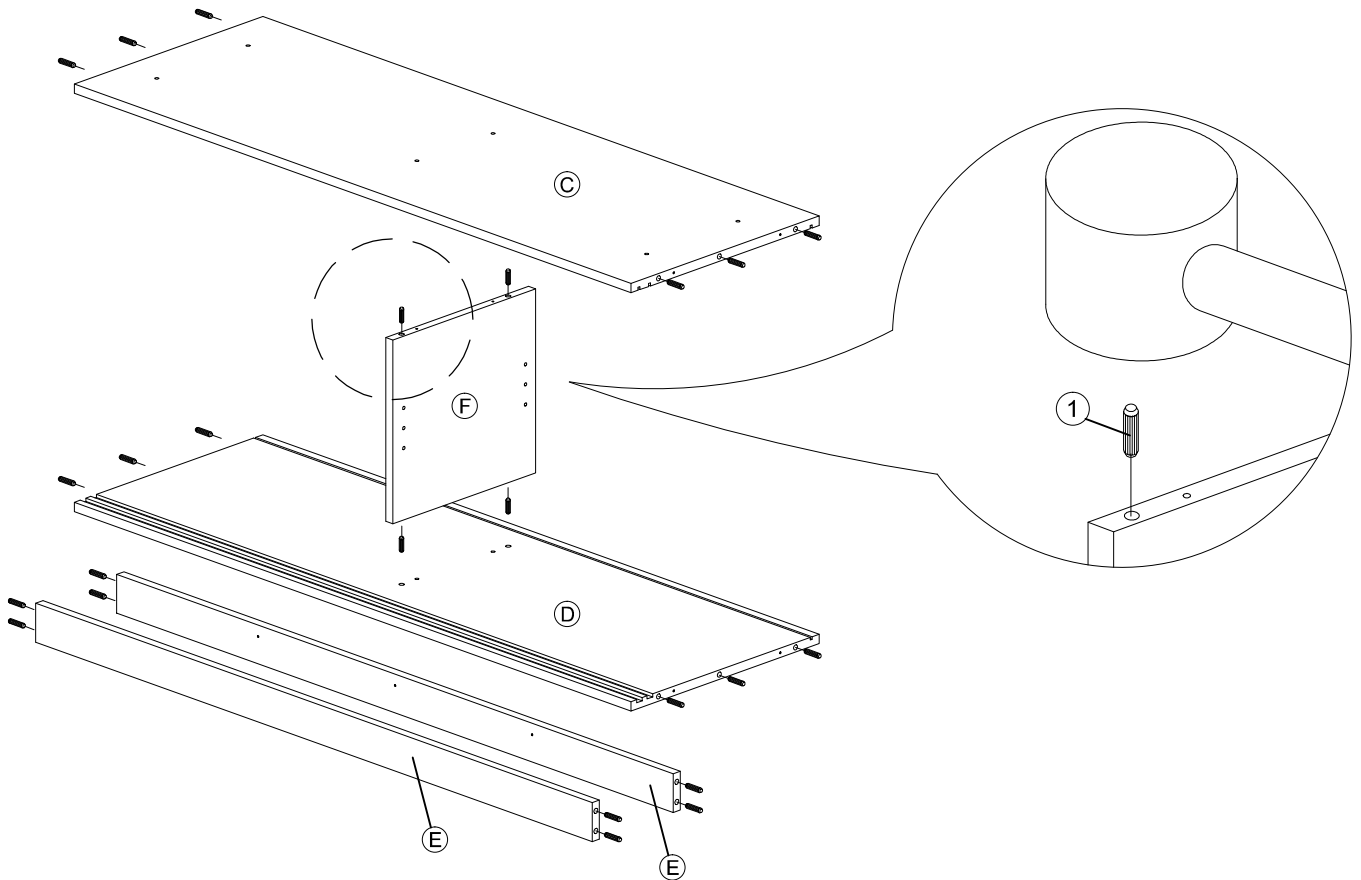


Assembly Instruction

<i>Hardware List</i>			
No.	SHAPE	DESCRIPTION	Qty.
1		8x25mm Wood Dowel	24Pcs
2		M3x12mm Screw	28Pcs
3		M3x16mm Screw	8Pcs
4		M4x25mm Screw	4Pcs
5		M4x38mm Screw	12Pcs
6		Nail Leg	6Pcs
7		Shelf Support	8Pcs
8		L Bracket	6Pcs

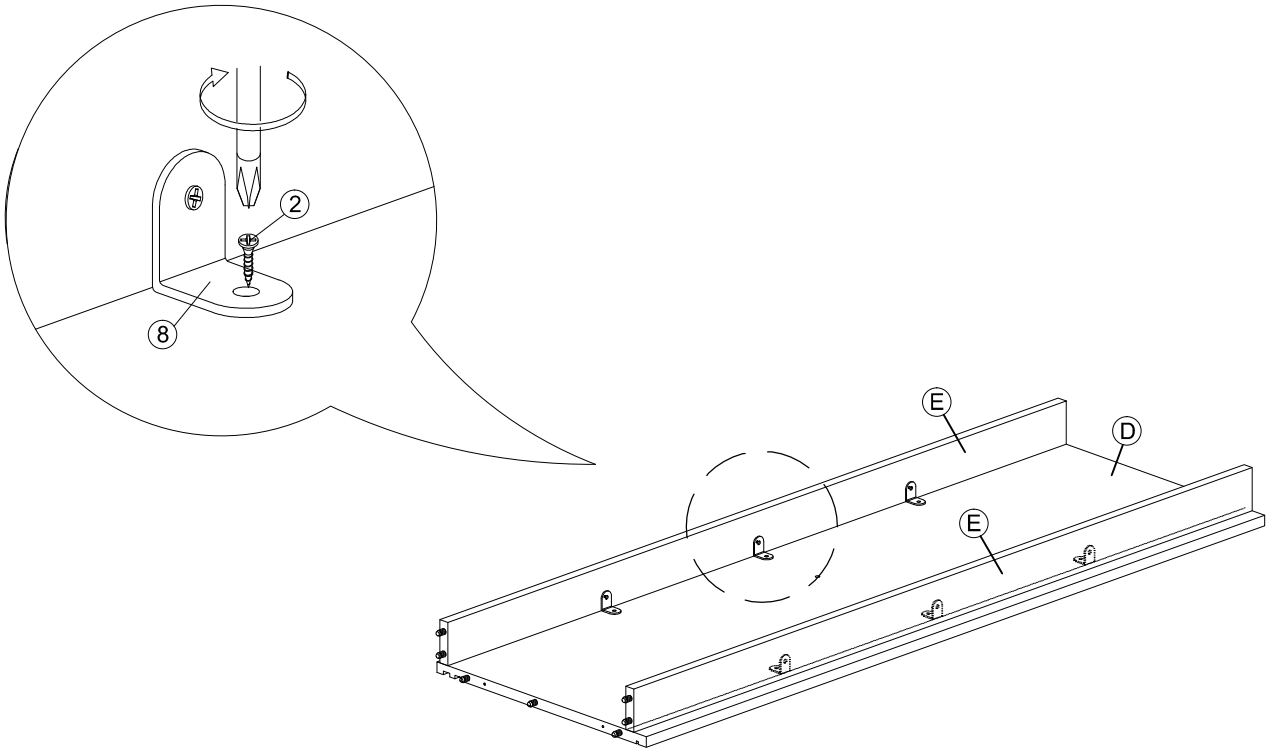
9		Z Bracket (Big)	4Pcs
10		Screw Cap	8Pcs
11		PVC Sliding Lining - M118 (1169mm)	2Pcs
12		Sliding Roller T446	4Sets
13		Handle 296 - Ø35mm	2Pcs

STEP 1

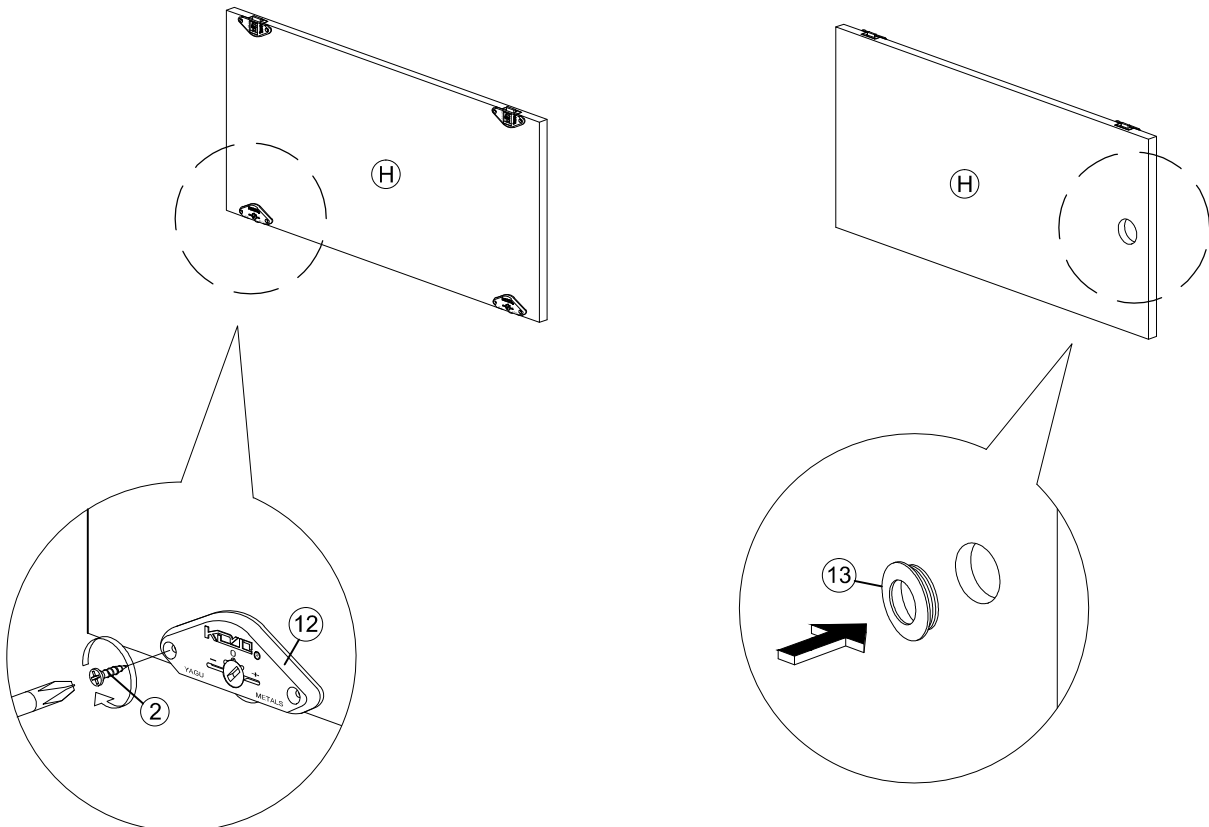


Assembly Instruction

STEP 2

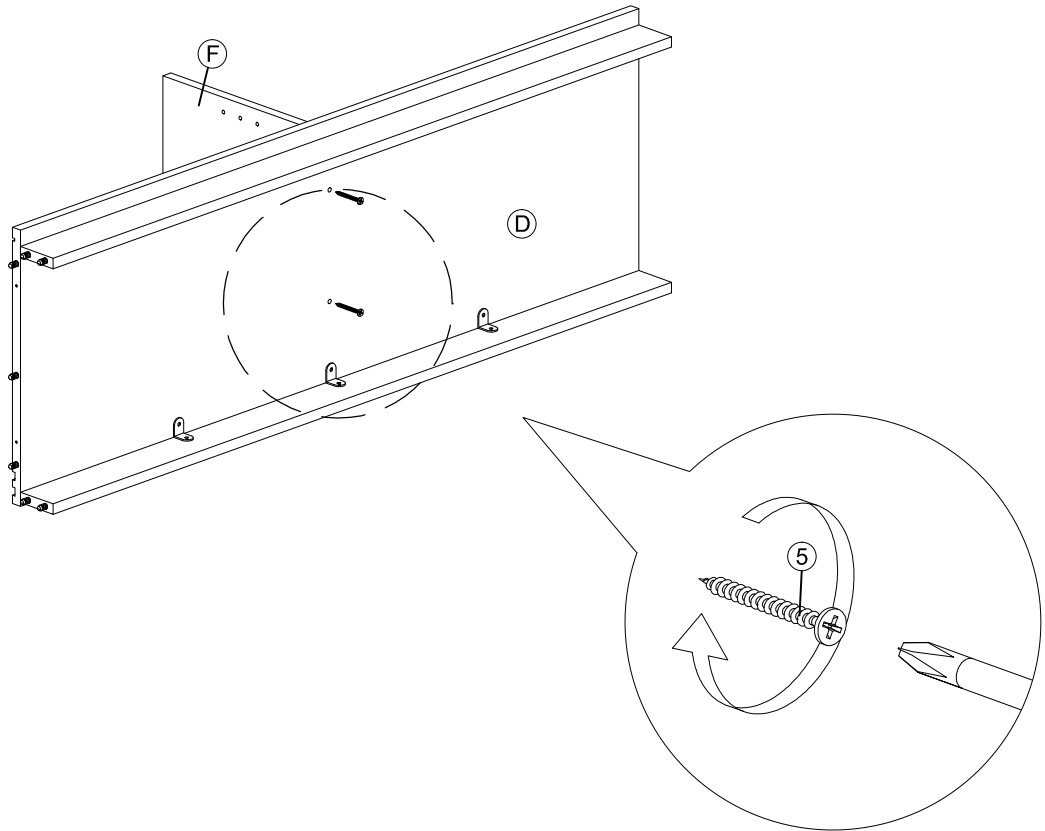


STEP 3

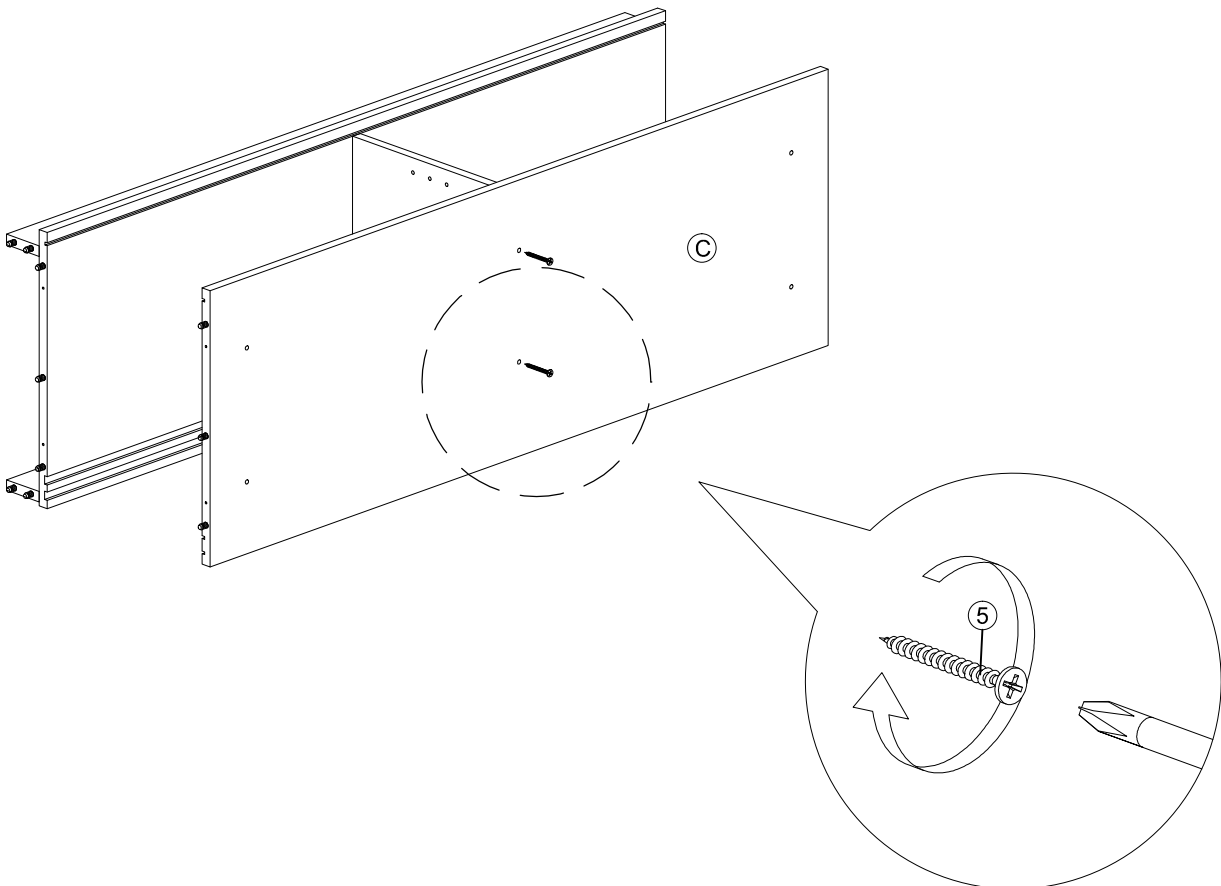


Assembly Instruction

STEP 4

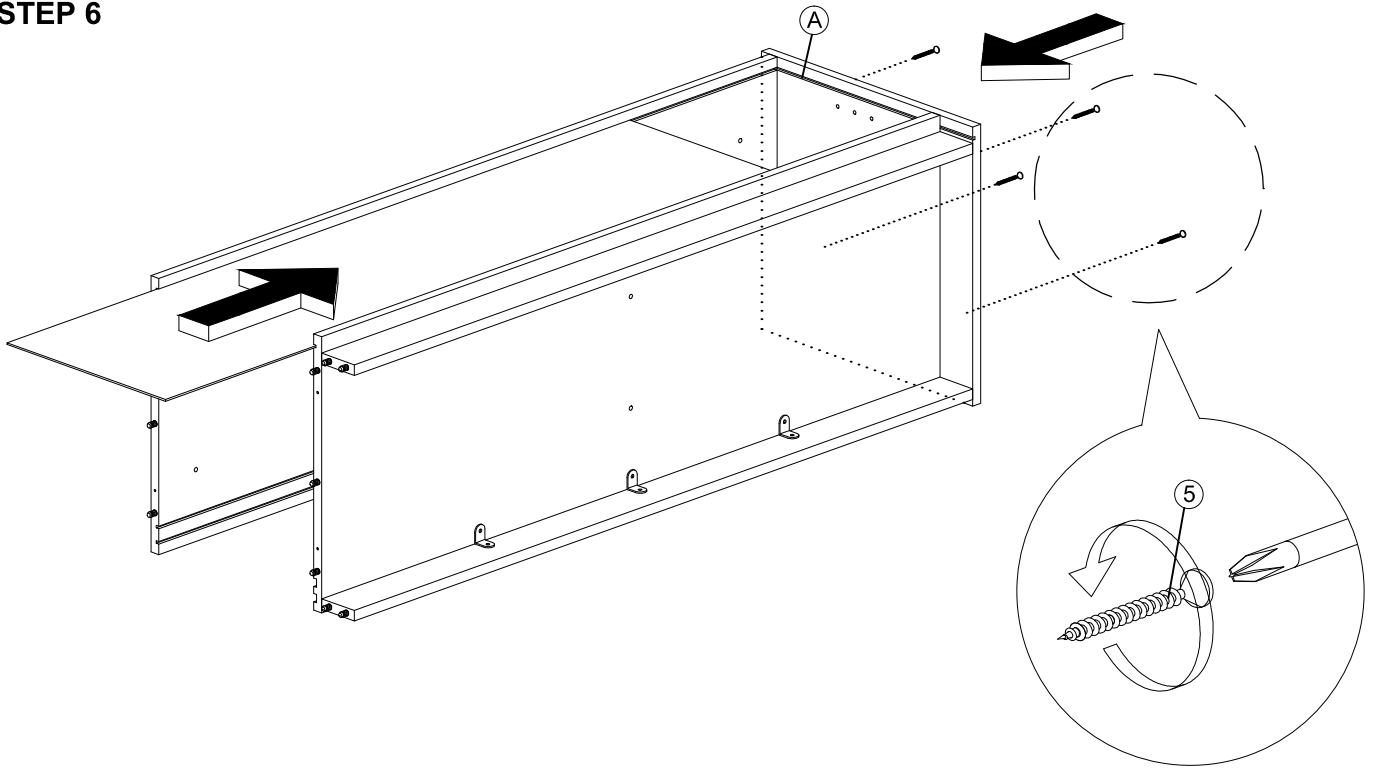


STEP 5

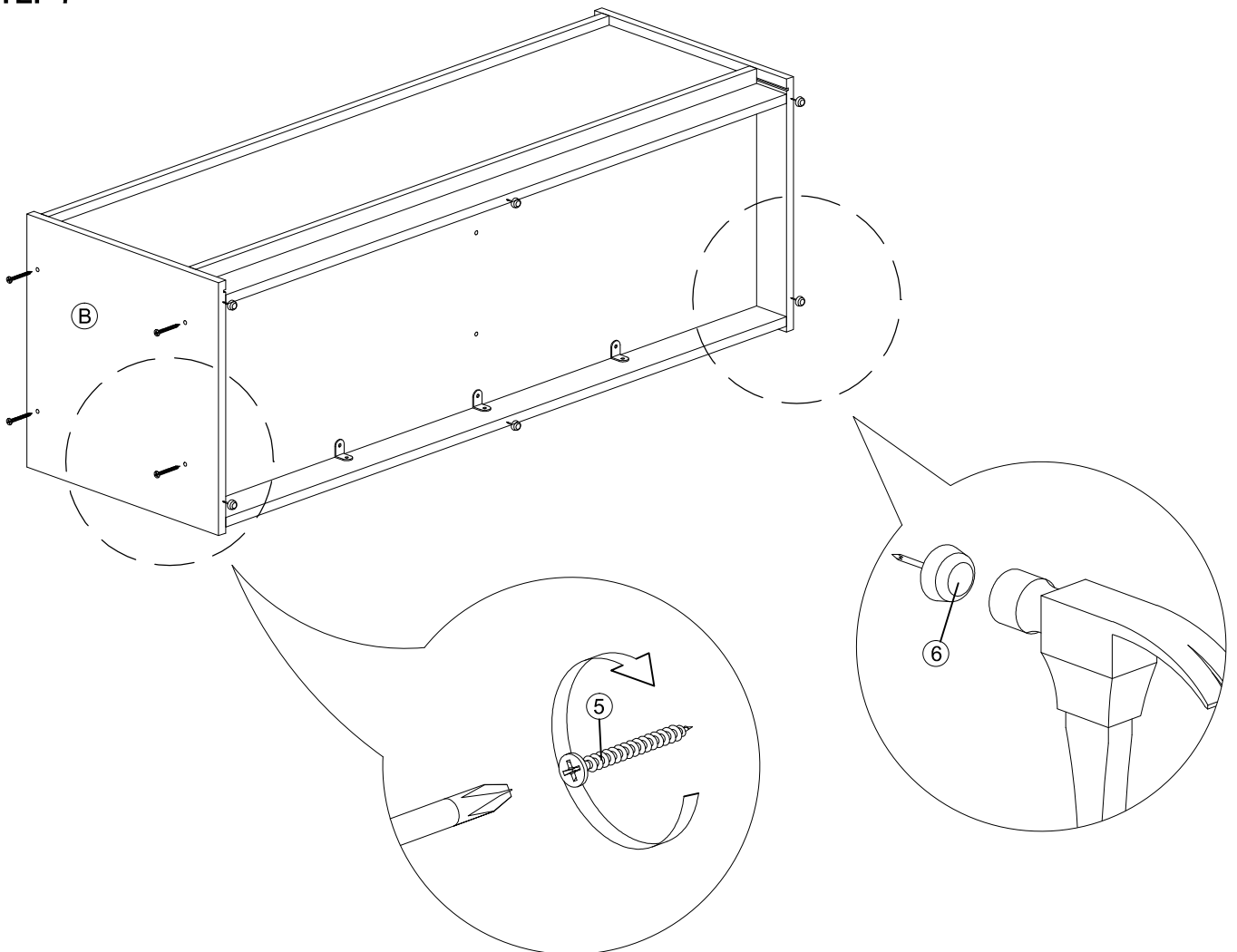


Assembly Instruction

STEP 6

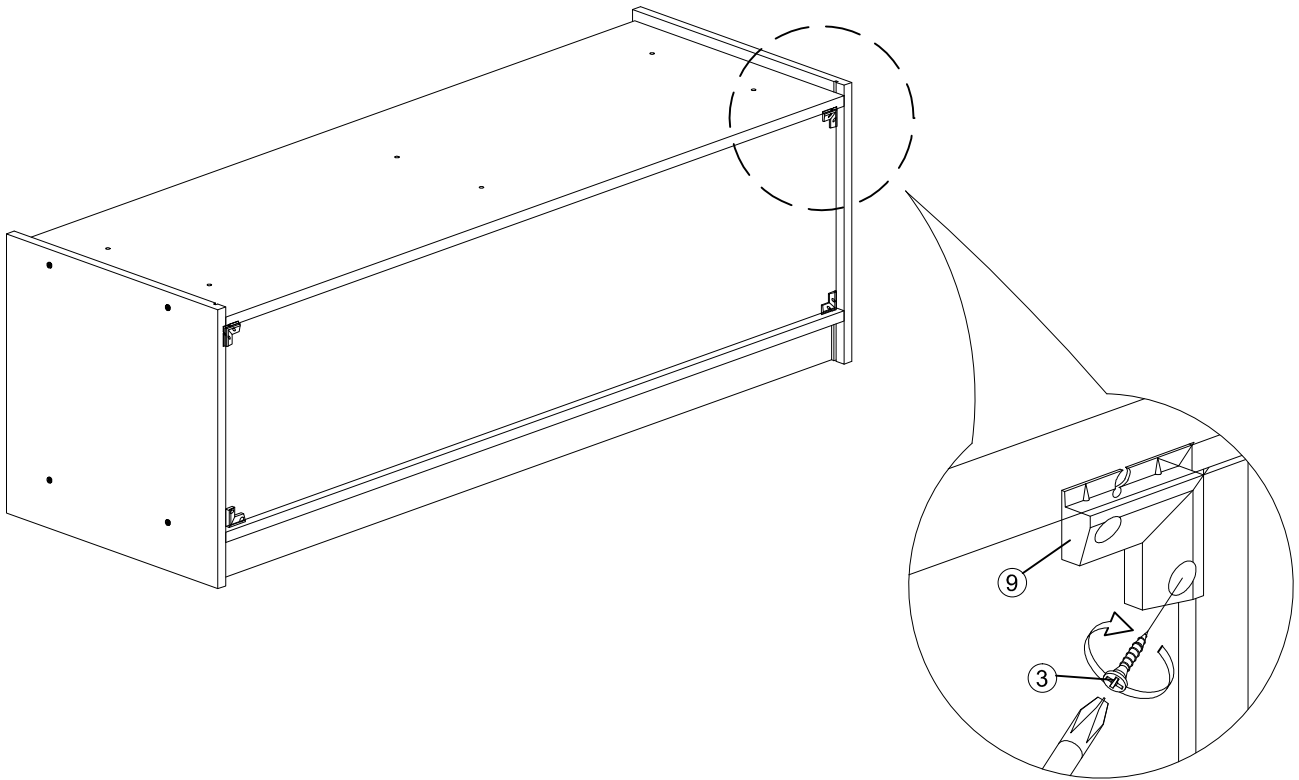


STEP 7

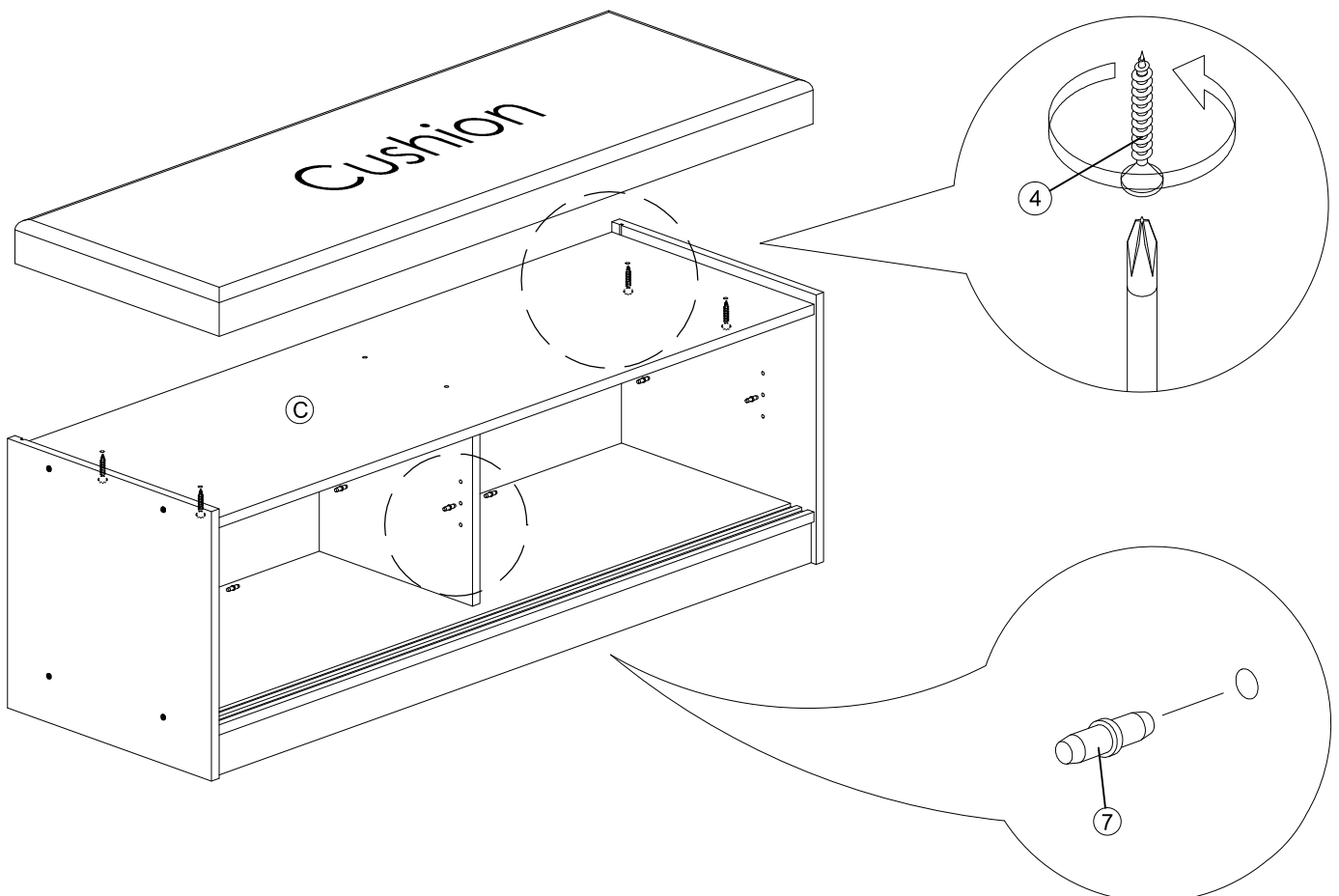


Assembly Instruction

STEP 8

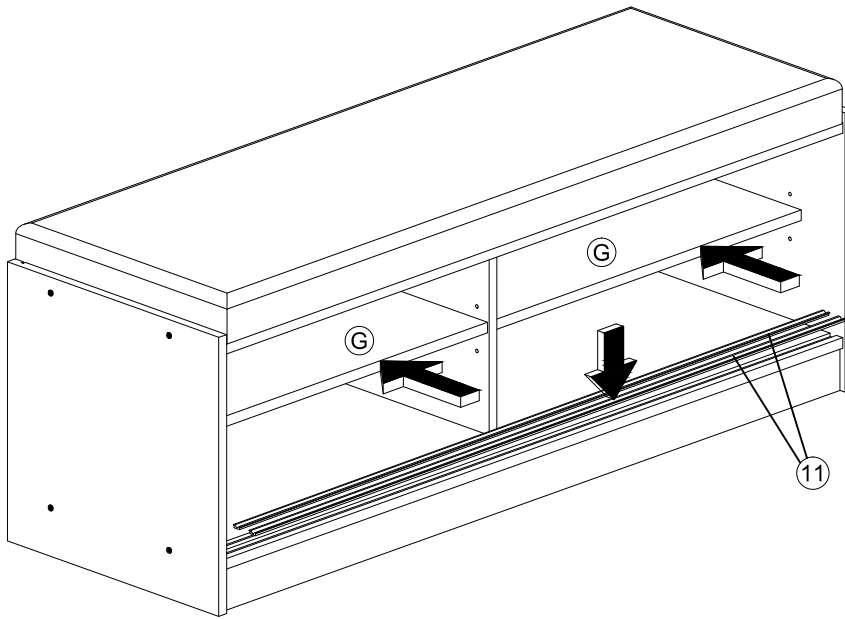


STEP 9



Assembly Instruction

STEP 10



STEP 11

