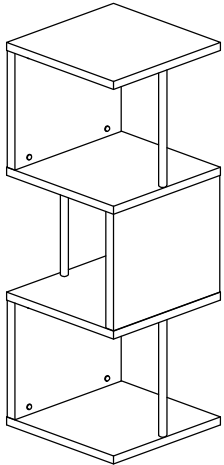


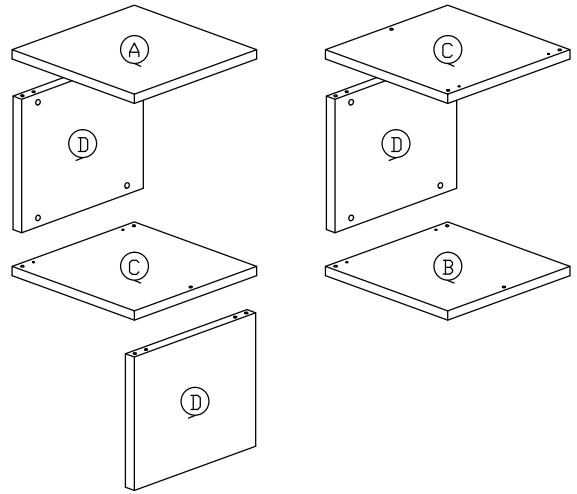
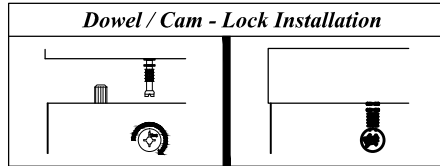
Assembly Instruction

Model : WI4509

Part List

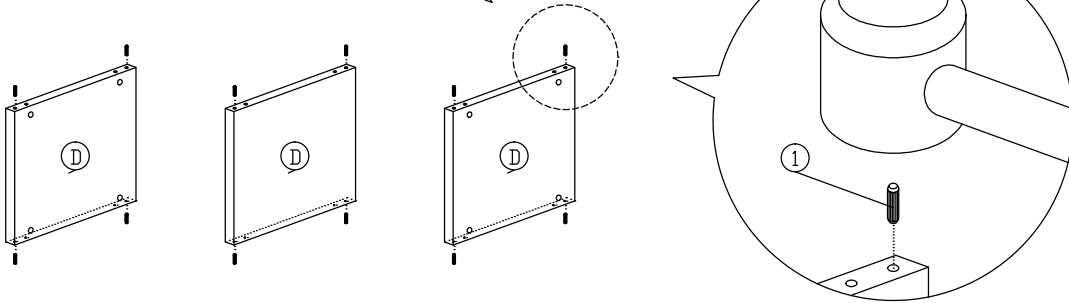


Hardware List			
No.	SHAPE	DESCRIPTION	Qty.
1		8x25mm Wood Dowel	12Pcs
2		15MM Titus Mini Fix	12Sets
3		Screw M8x34mm	3Pcs
4		15mm Minifix Cap (hole)	12Pcs
5		Nail Leg	4Pcs
6		Steel Pipe (Ø25 x 360mm)	3Pcs



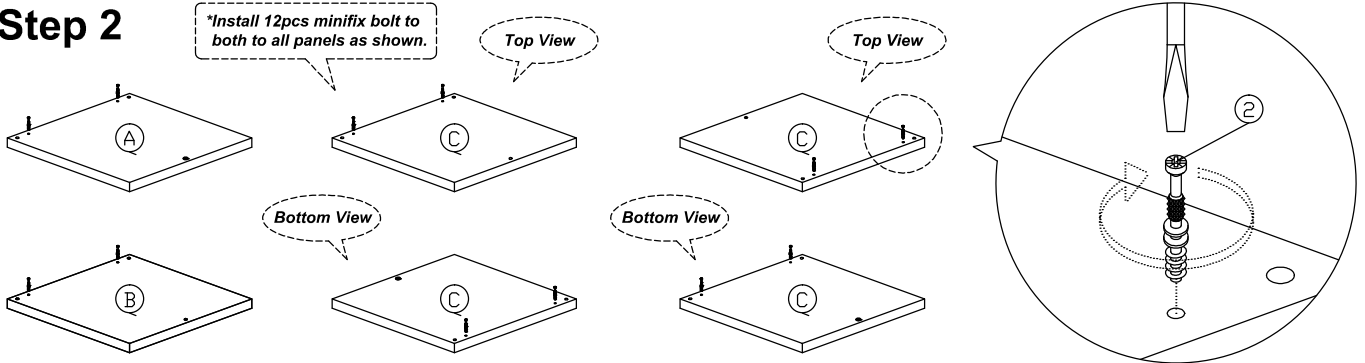
Step 1

*Install 12pcs Wood Dowel into all panels as shown.



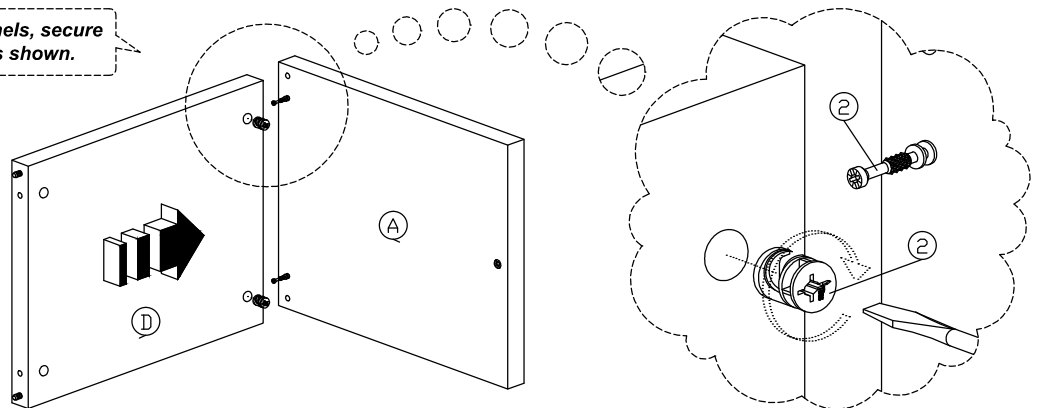
Step 2

*Install 12pcs minifix bolt to both to all panels as shown.



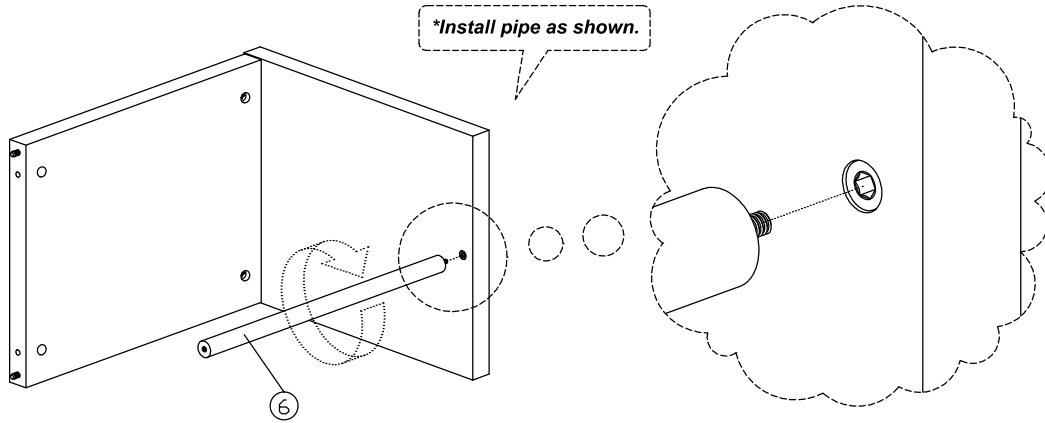
Step 3

*Assemble panels, secure with Minifix as shown.

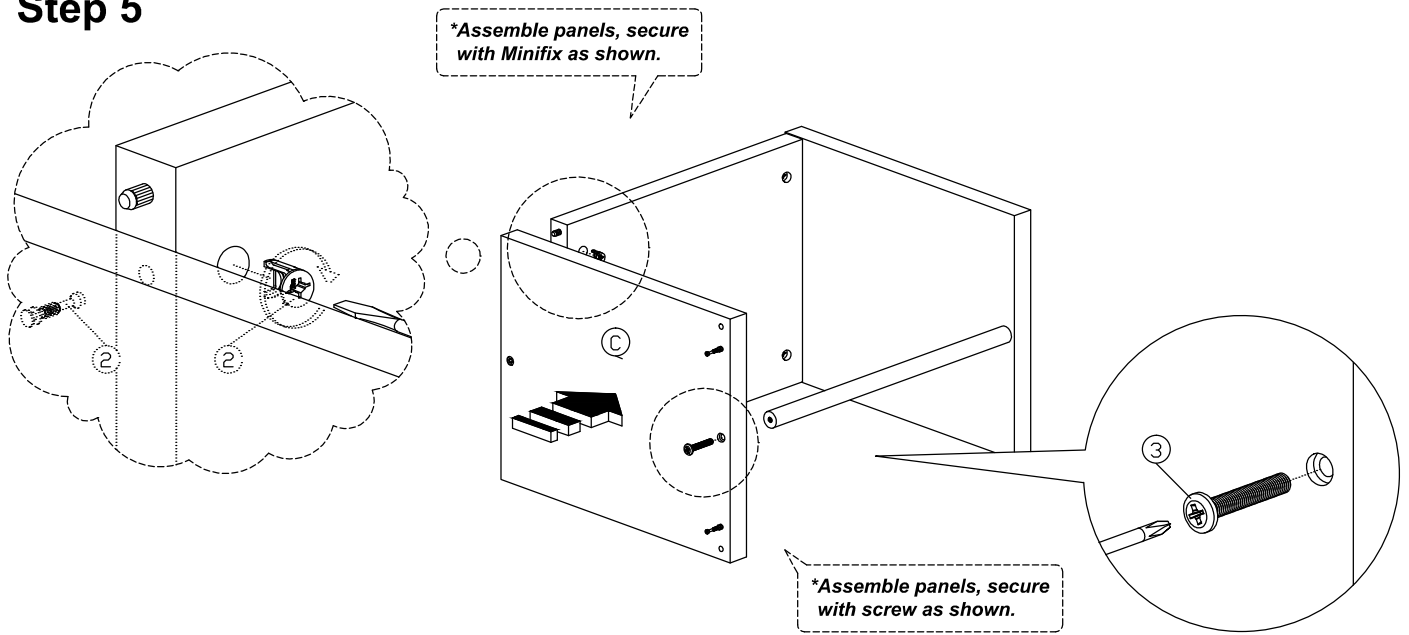


Assembly Instruction

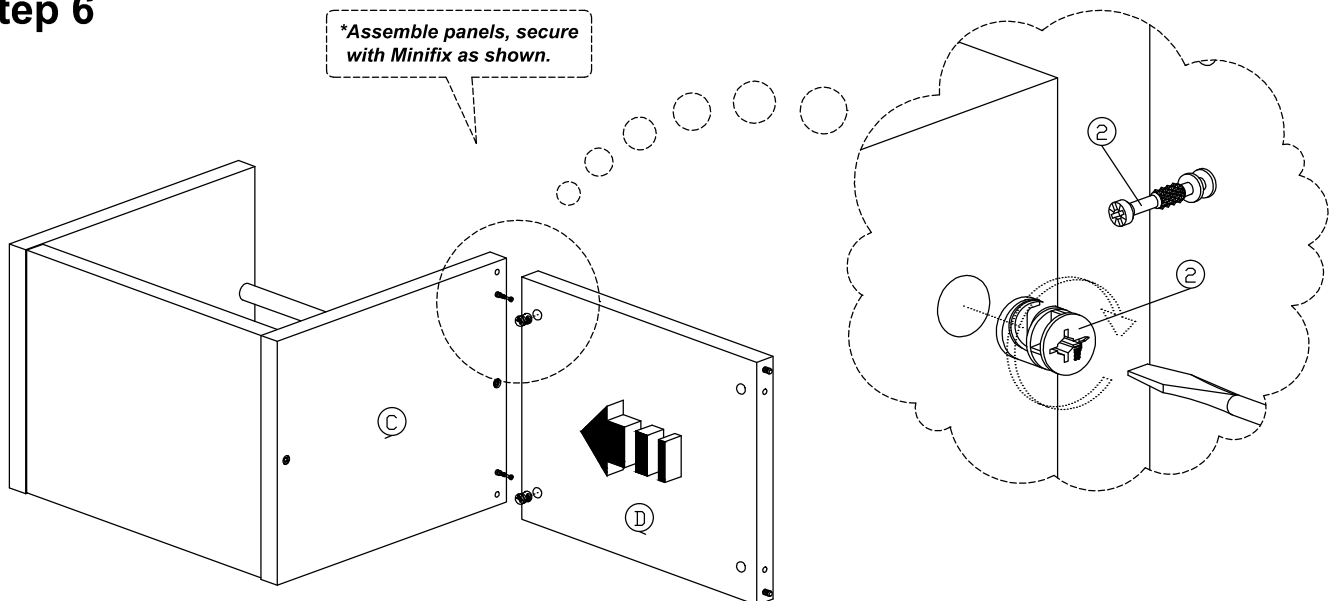
Step 4



Step 5

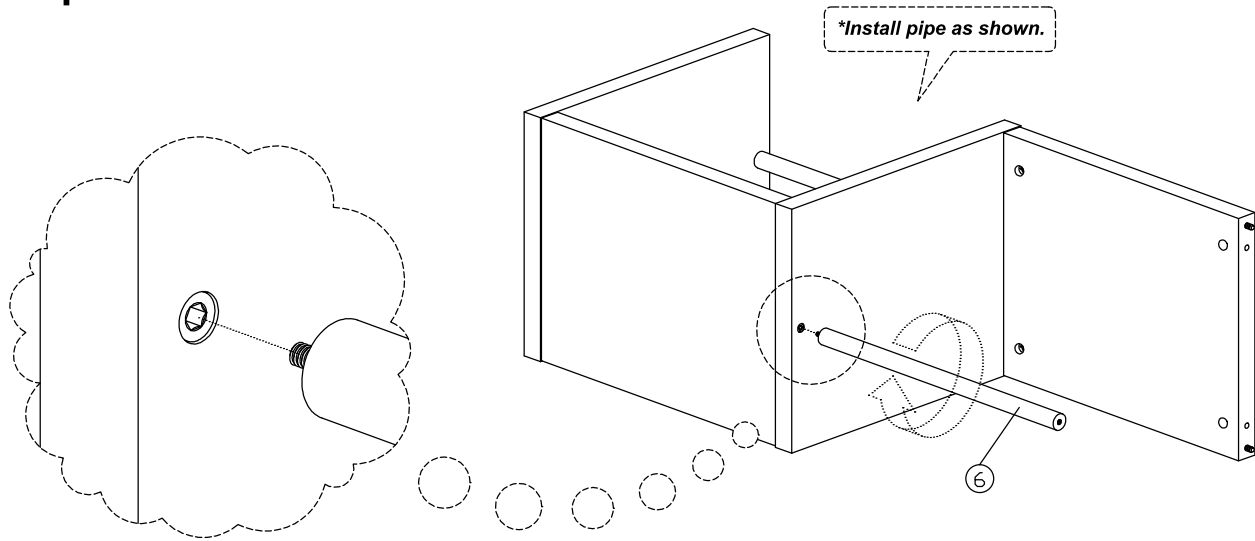


Step 6

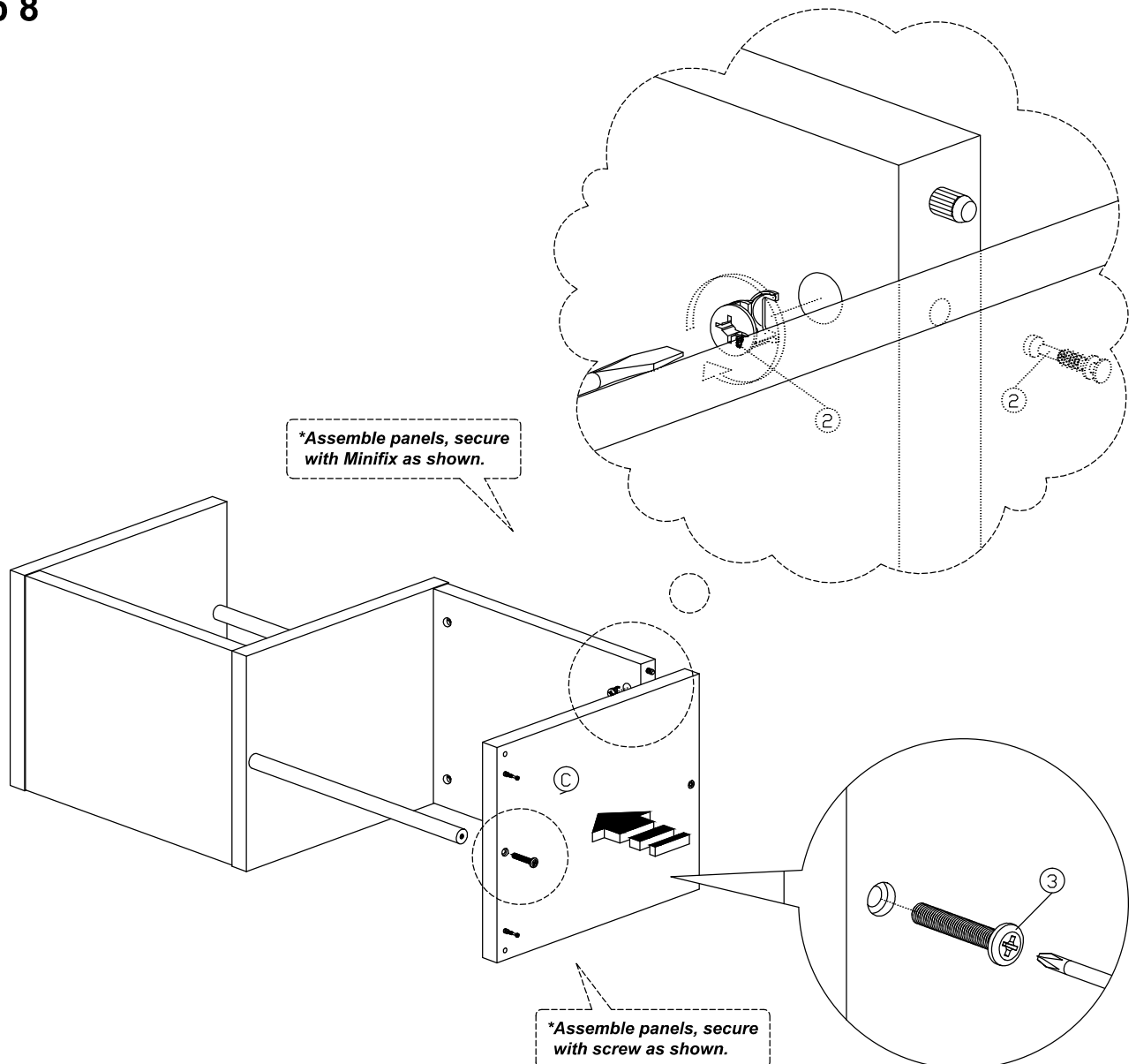


Assembly Instruction

Step 7

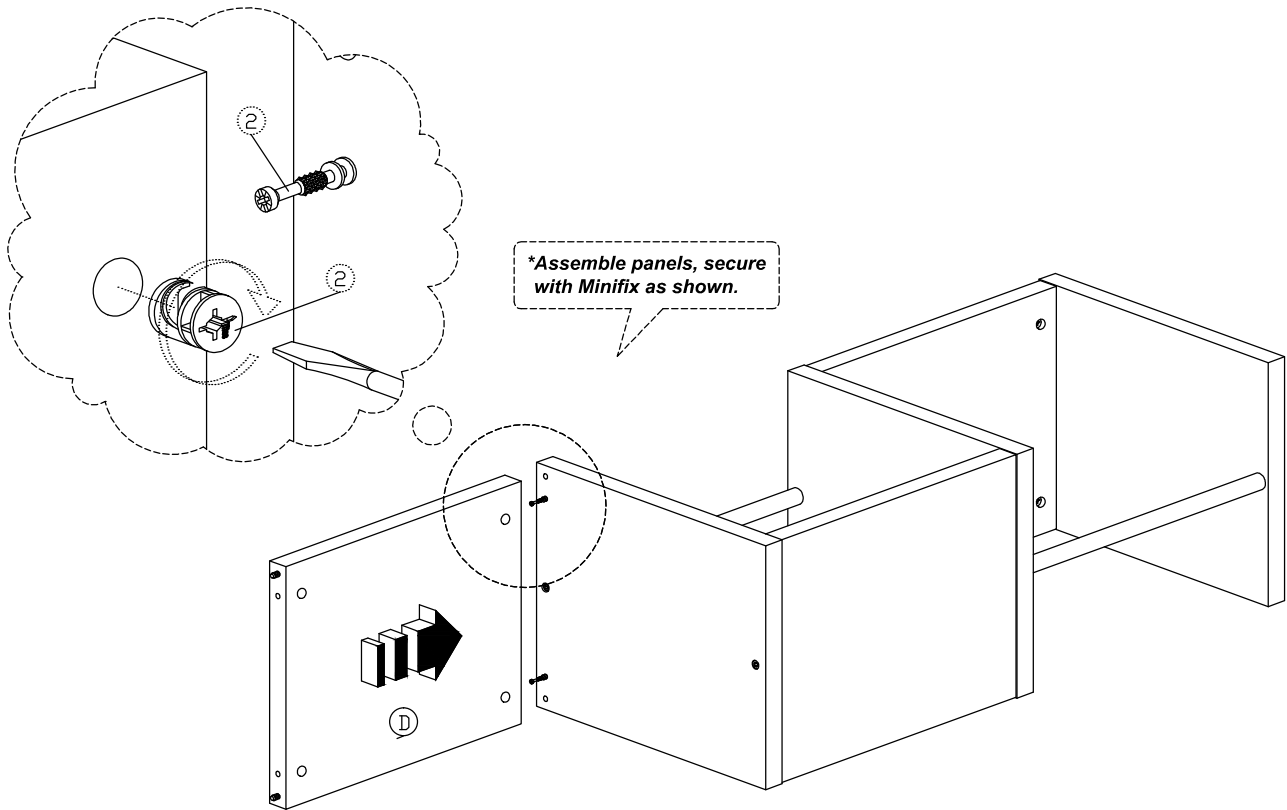


Step 8

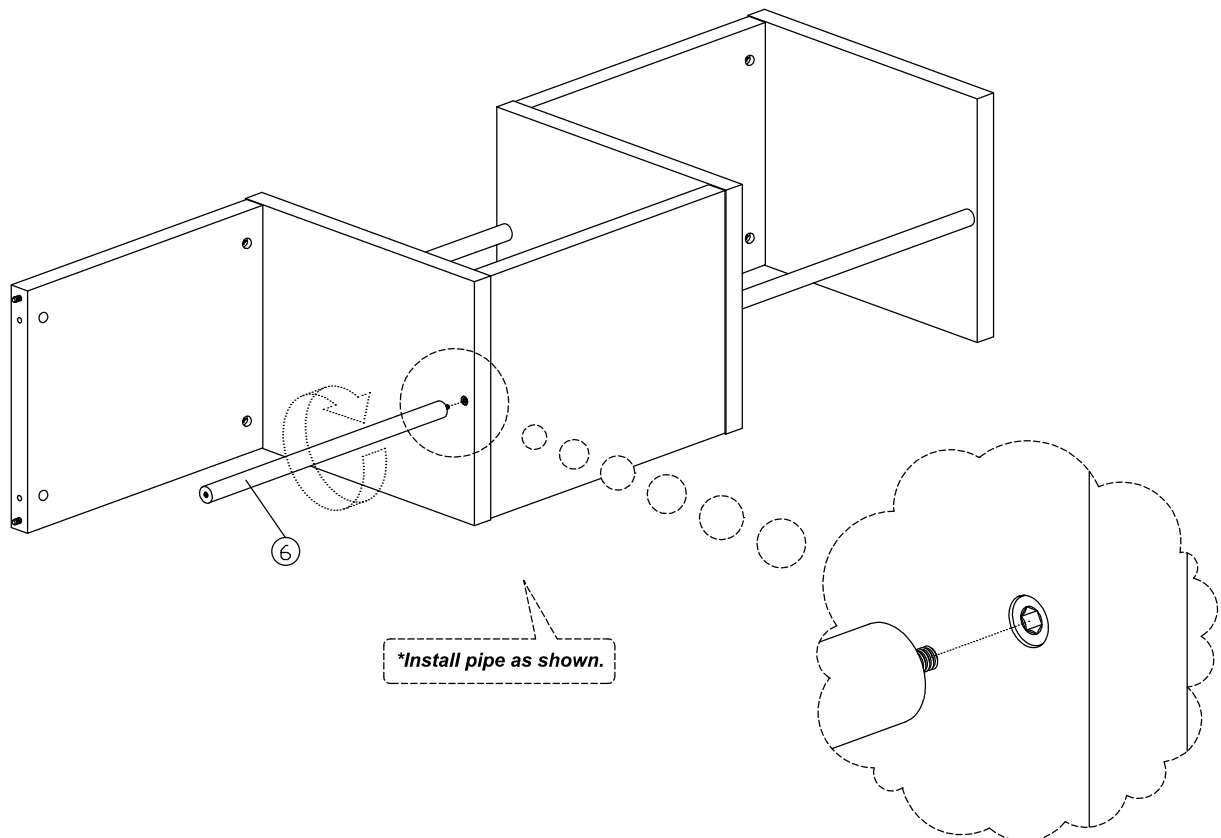


Assembly Instruction

Step 9

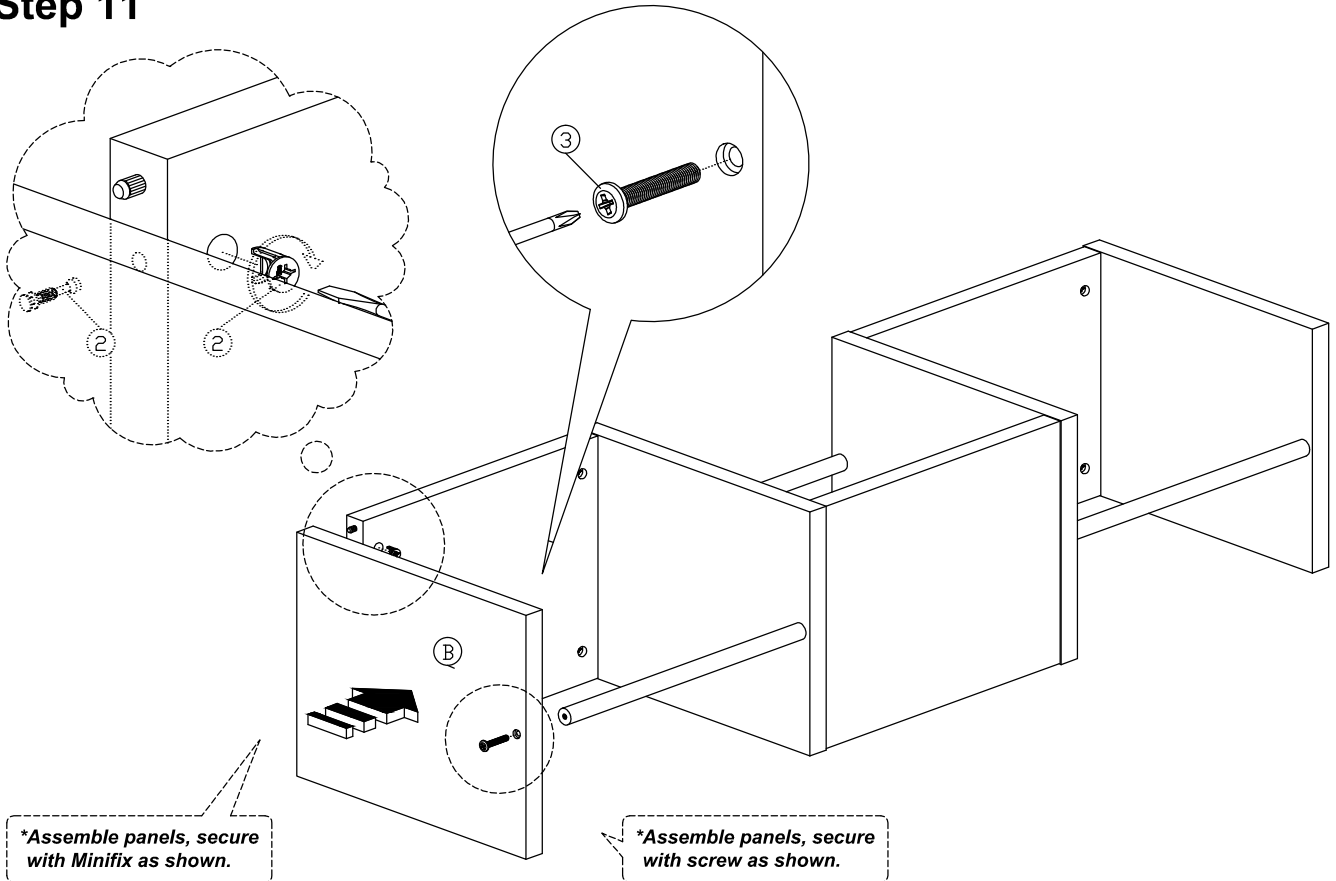


Step 10



Assembly Instruction

Step 11



Step 12

