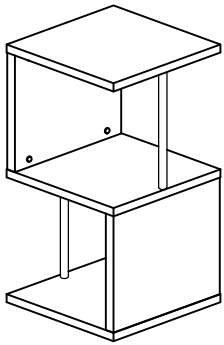


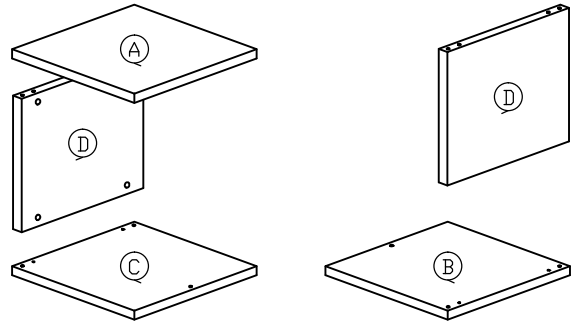
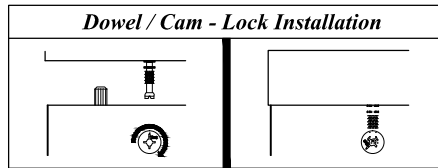
Assembly Instruction

Model : WI4510

Part List

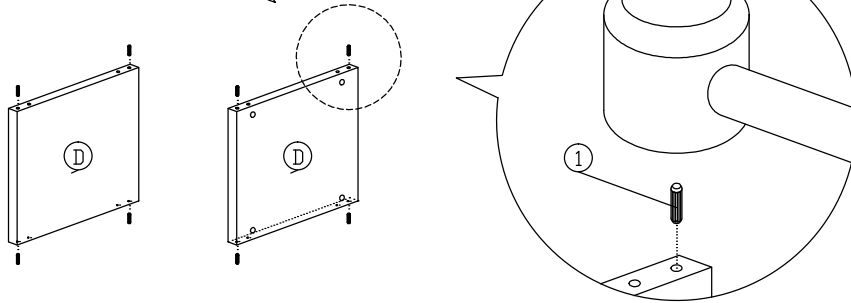


Hardware List			
No.	SHAPE	DESCRIPTION	Qty.
1		8x25mm Wood Dowel	8Pcs
2		15MM Titus Mini Fix	8Sets
3		Screw M8x34mm	2Pcs
4		15mm Minifix Cap (hole)	8Pcs
5		Nail Leg	4Pcs
6		Steel Pipe (Ø25 x 360mm)	2Pcs



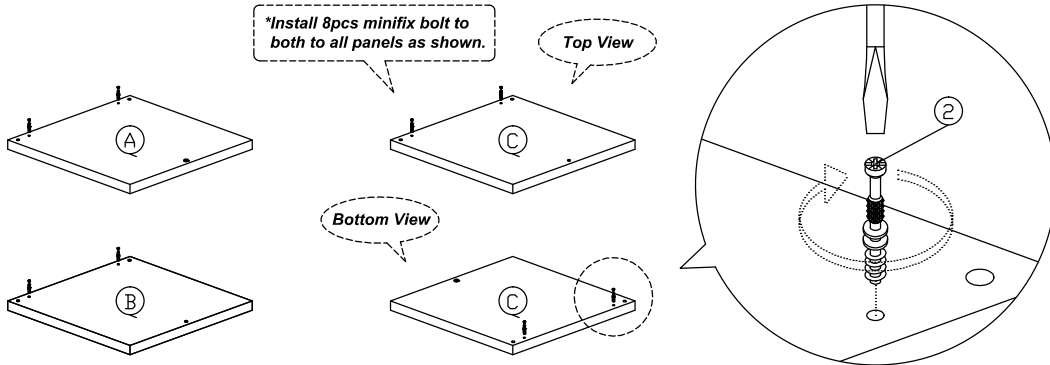
Step 1

*Install 12pcs Wood Dowel into all panels as shown.



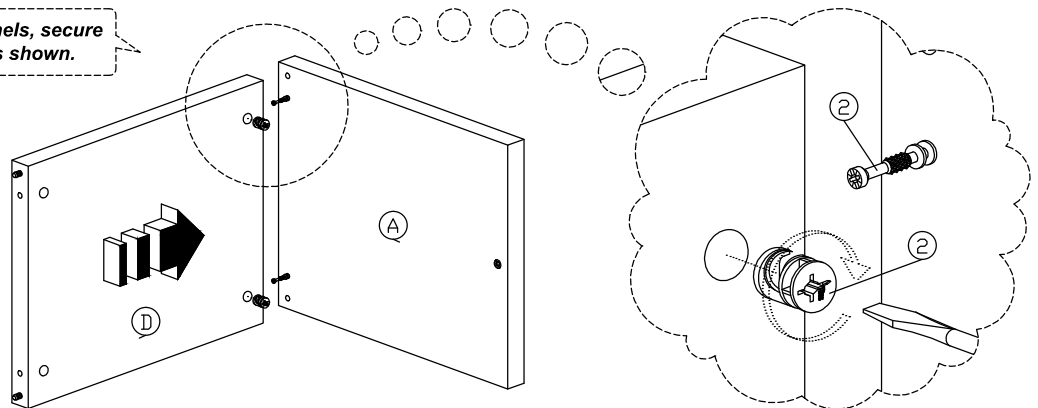
Step 2

*Install 8pcs minifix bolt to both to all panels as shown.



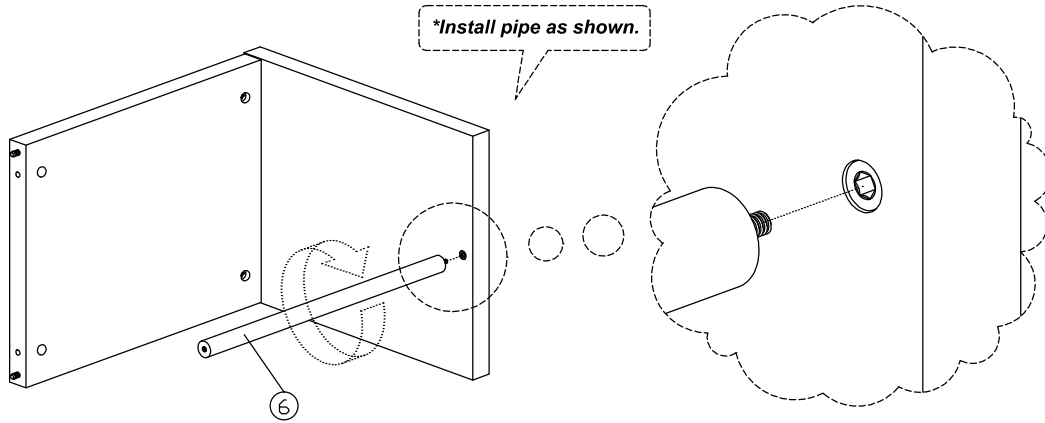
Step 3

*Assemble panels, secure with Minifix as shown.

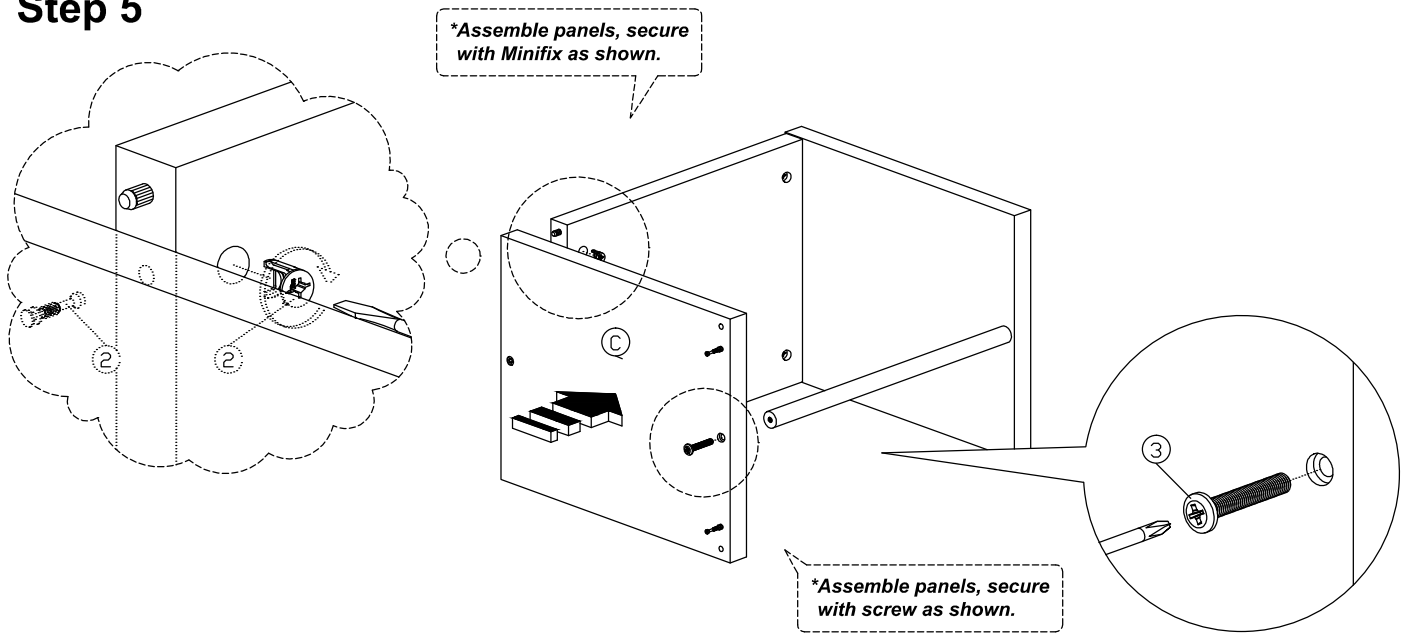


Assembly Instruction

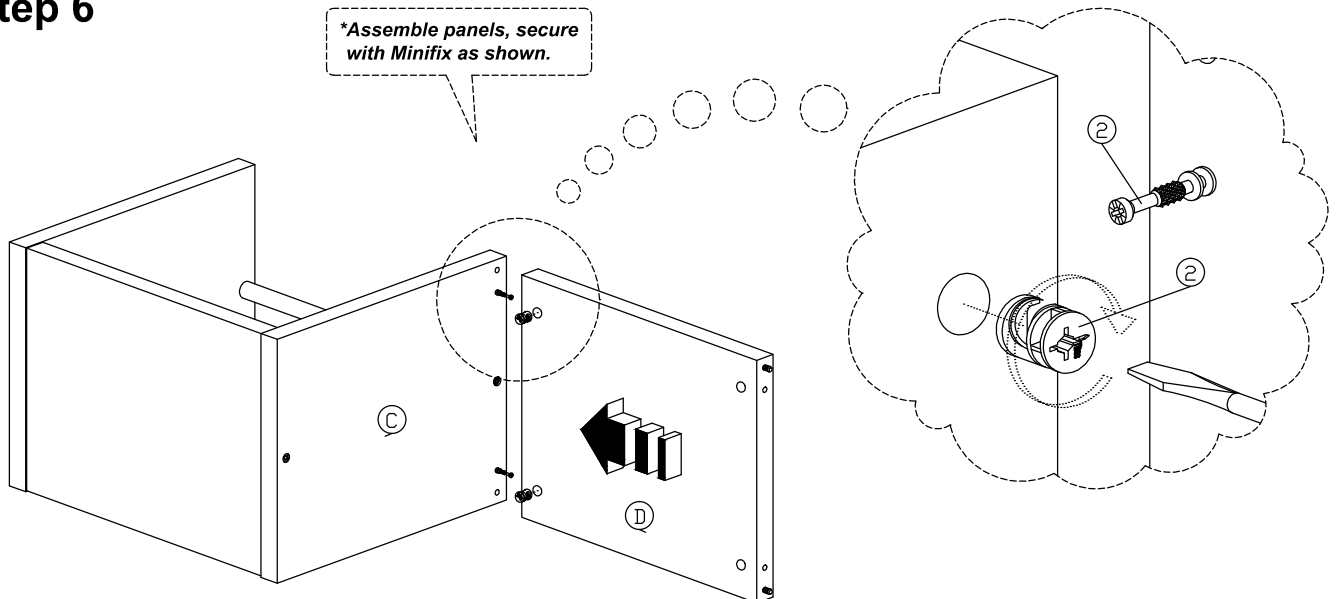
Step 4



Step 5

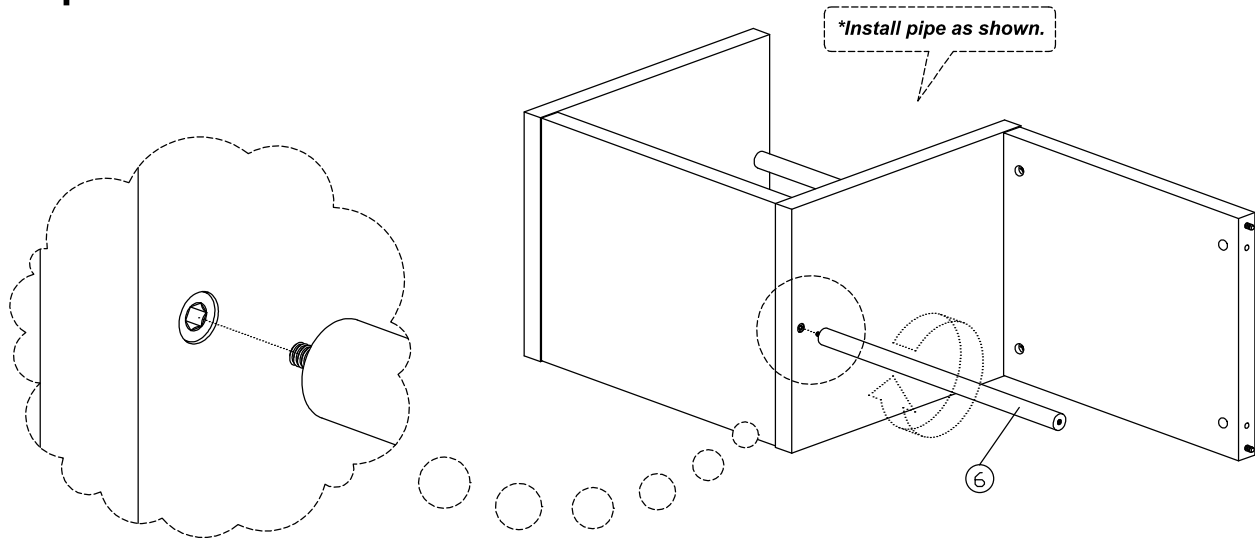


Step 6

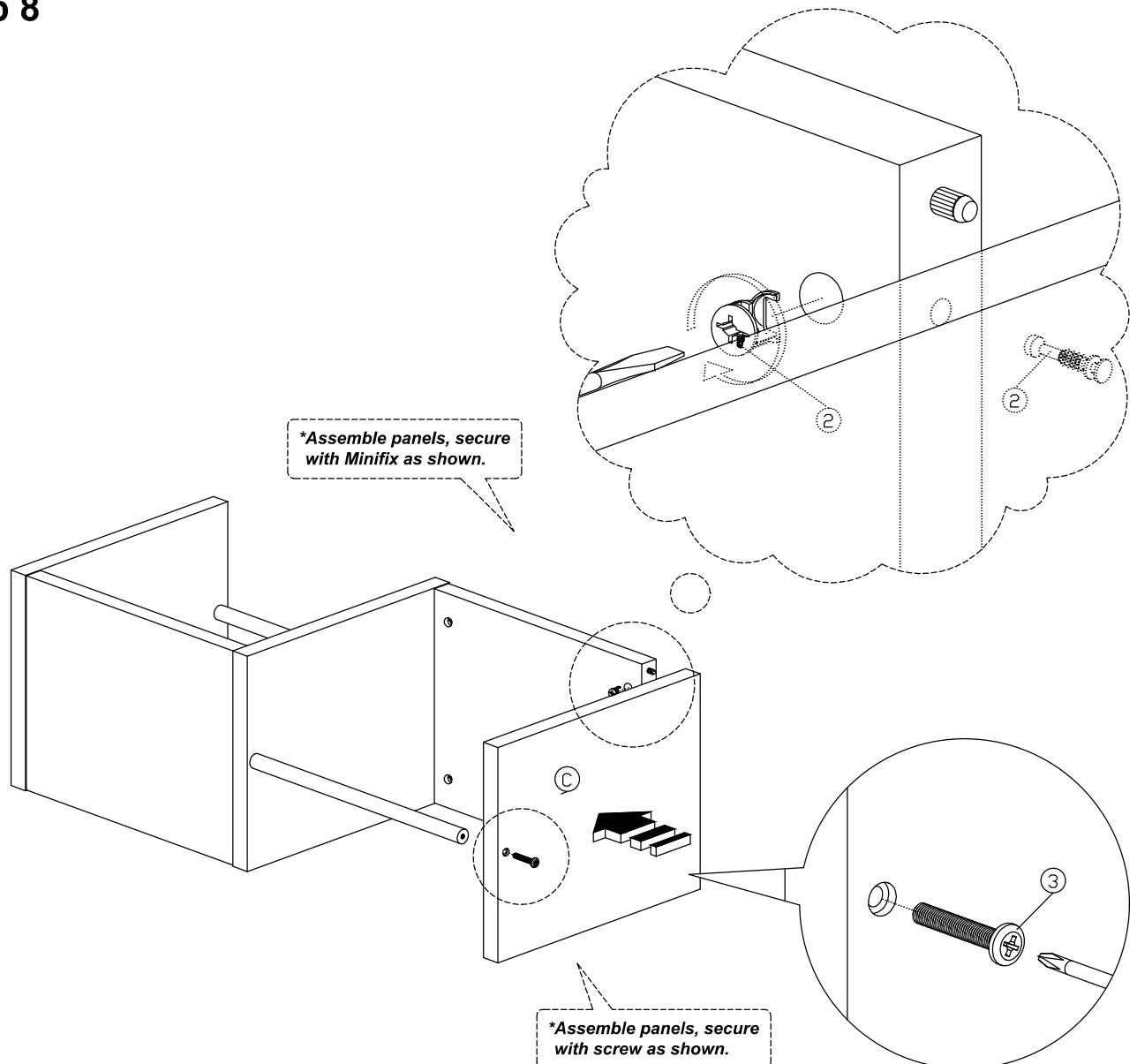


Assembly Instruction

Step 7

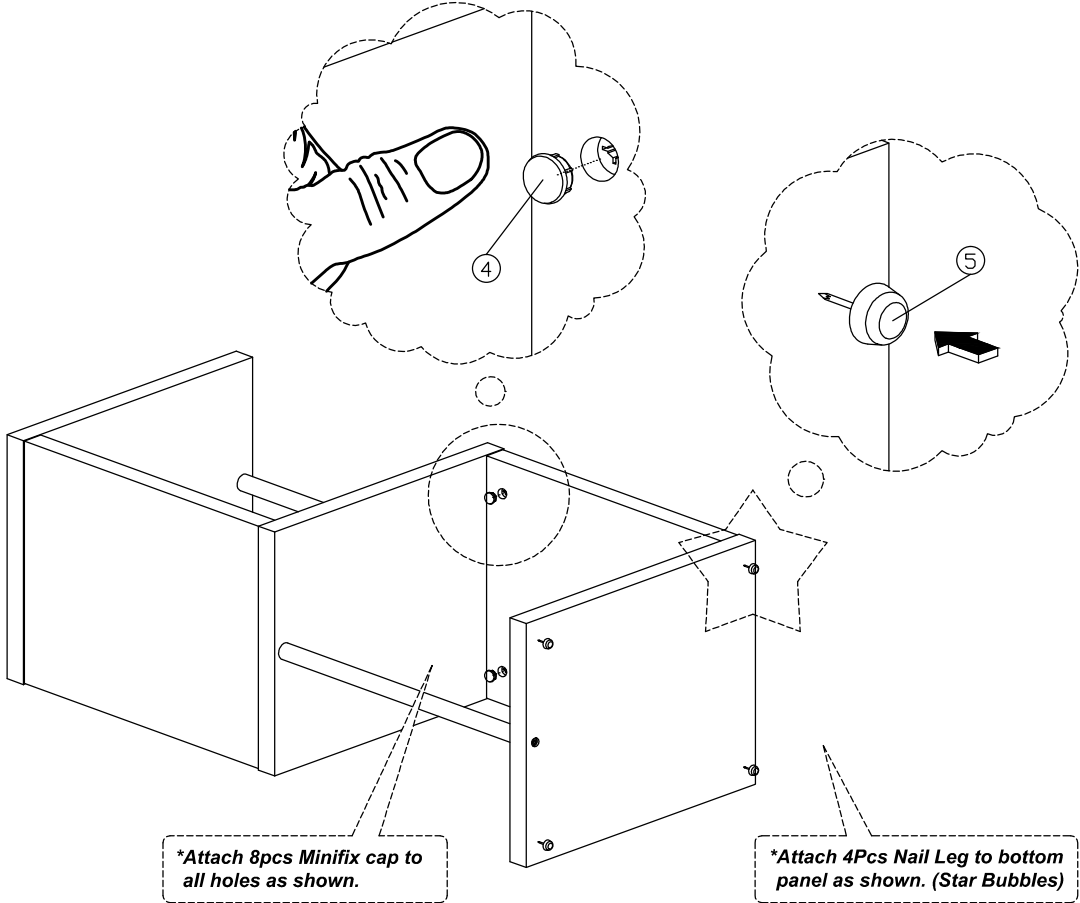


Step 8



Assembly Instruction

Step 9



Complete

