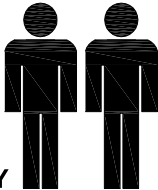


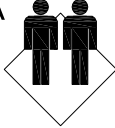
MODEL NAME:

ET 3115-02

1.5hr



FLOOR AREA
2.0M X 1.5M

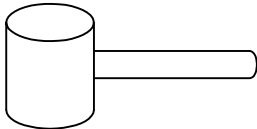


APPROXIMATE ASSEMBLY TIME

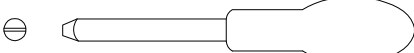
2 PERSON OF ASSEMBLY

REQUIRED ASSEMBLY SPACE

REQUIRED ASSEMBLY TOOLS



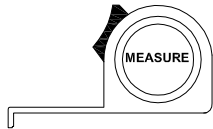
SOFT RUBBER HAMMER



SLOTTED SCREWDRIVER

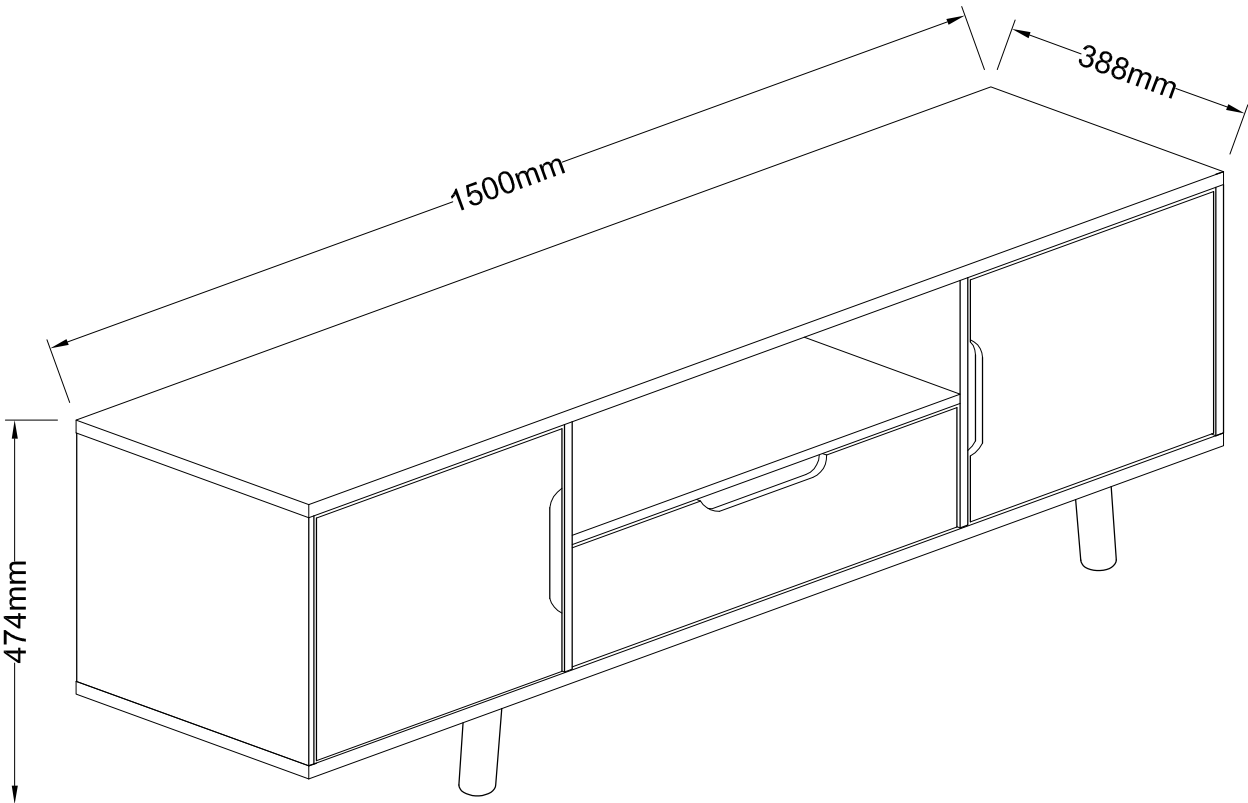


POZI SCREWDRIVER



MEASURING TAPE

ASSEMBLED DIMENSIONS



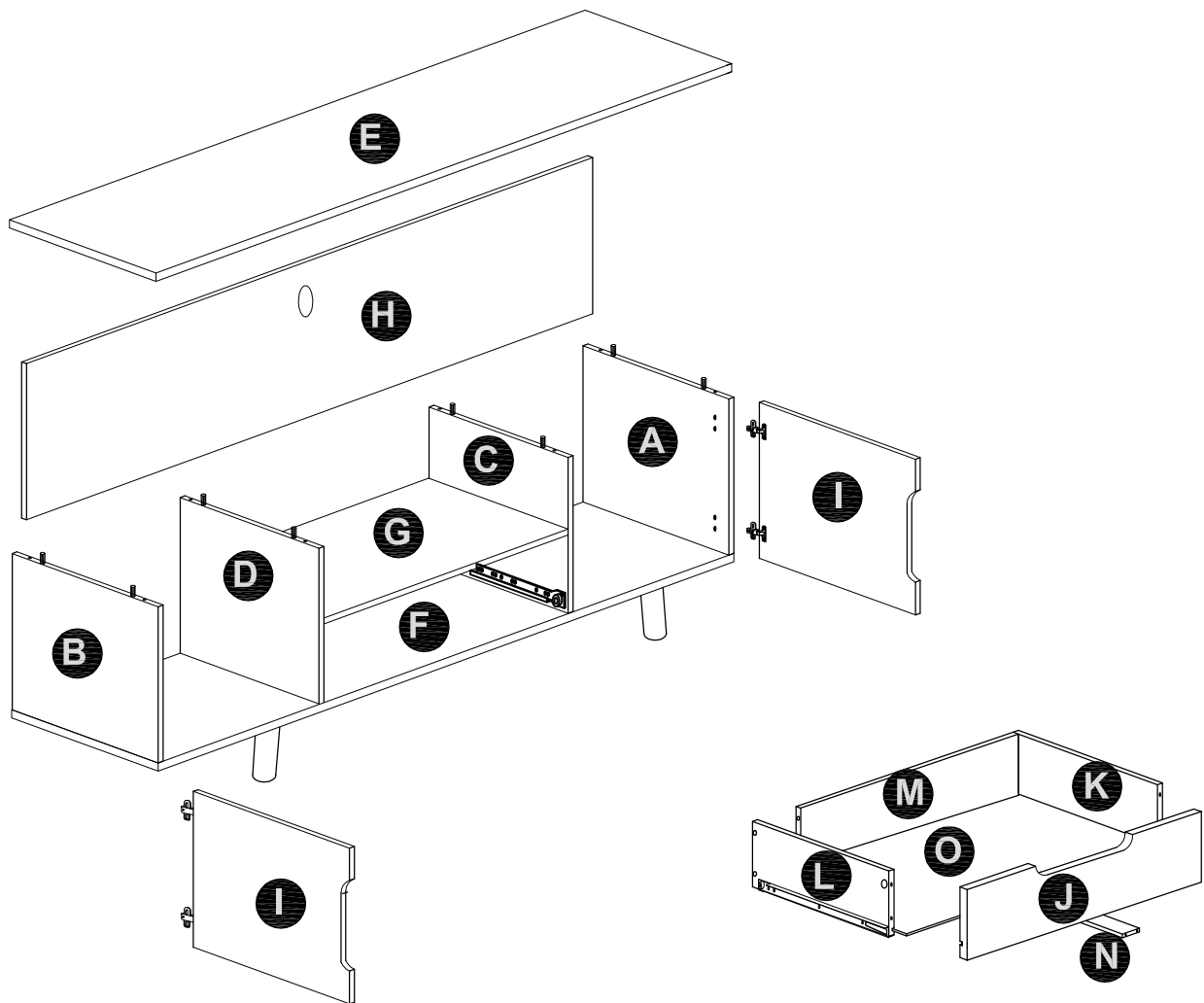
NOTE : THE MAXIMUM WEIGHT THIS PRODUCT CAN HOLD UP TO 25 KGS.

MODEL NAME:

ET 3115-02

NO.	PART LIST	QTY	NO.	PART LIST	QTY
(A)	RIGHT SIDE PANEL	1	(J)	DRAWER FRONT	1
(B)	LEFT SIDE PANEL	1	(K)	DRAWER RIGHT SIDE PANEL	1
(C)	CENTRE PANEL RIGHT	1	(L)	DRAWER LEFT SIDE PANEL	1
(D)	CENTRE PANEL LEFT	1	(M)	DRAWER BACK PANEL	1
(E)	TOP PANEL	1	(N)	DRAWER BOTTOM SUPPORT	1
(F)	BOTTOM PANEL	1	(O)	DRAWER BASE	1
(G)	FIXED PANEL	1			
(H)	BACK SUPPORT	1			
(I)	DOOR PANEL	2			

PARTS LIST



MODEL NAME:

ET 3115-02

HARDWARE LIST

4cm
3cm
2cm
1cm
0cm

1
2X
GLUE 10CC

2
12X
Dia.15mm
LARGE CAMLOCK

3
7X
Dia.15mm
DRAWER CAMLOCK

4
19X
M6.5
QUICKFIT

5
11X
M8 x 38mm
FLAT HEAD SCREW

6
32X
Dia.6 x 30mm
WOOD DOWEL

3cm
2cm
1cm
0cm

7
6X
M3.5 x 25mm
FLAT HEAD SCREW

8
10X
M4 x 30mm
FLAT HEAD SCREW

9
3X
Dia 17mm
UNIVERSAL CAP (OPTIONAL)

10
16X
M8 x 5/8mm
FLAT HEAD SCREW

11
2X
DOOR SOFT CLOSE

12
4X
ADJUSTABLE HINGE

13
2X
Dia 8mm
DOOR STOPPER

14
2X
M3.5 x 12mm
FLAT HEAD SCREW

15
4X
M8 x 70mm
ALLEN HEAD BOLT

16
1X
M5
ALLEN KEY

17
4X
5/16
SPRING WASHER

18
4X
22 x 5/16
FLAT WASHER

19
4X
Ø45- 160mm
LEG

20
1X
WOODEN FRAME

MODEL NAME:

ET 3115-02

Top Tips before you start!

1. Please check that all parts are present before you start the assembly of your furniture.
2. For ease and speed of assembly, we recommend that before you commence each step of the assembly, that you identify all the parts required for that step.
3. For larger items, please ensure that you have sufficient space and people (as indicated on page 1) to assemble your product safely
4. We recommend that, where possible, all items are assembled near to the area in which they will be placed in use, to avoid moving the product unnecessarily once assembled.
5. For the protection of your furniture, particularly items of high gloss finish, we recommend that the product is placed on a protected surface during assembly to prevent any damage.
6. Caution - Electric / Battery operated screw driver NOT RECOMMENDED.
7. During assembly please take care not to over-tighten any fittings, as this may damage the product.
8. Always place the product on a flat, steady and stable surface.
9. Do not sit or stand on the product.
Do not use the product as a stepladder.
10. This product is intended for indoor, household use only as it is non industrial product.
11. This product is constructed from re-inforced hollow board. Excessive pressure cause irreparable damage. Please do not kneel on any part of this product during assembly.

Care and Maintenance of your Furniture

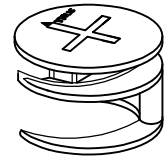
- Please periodically check all fittings and re-tighten as necessary.
- To clean your item, please use a damp cloth and wipe clean.
- Never allow any kind of liquid to remain on your furniture.
- Please do not place hot items (e.g. hot drinks) directly on to the wood surface.
- Please do not drag and pull your furniture.

MODEL NAME:

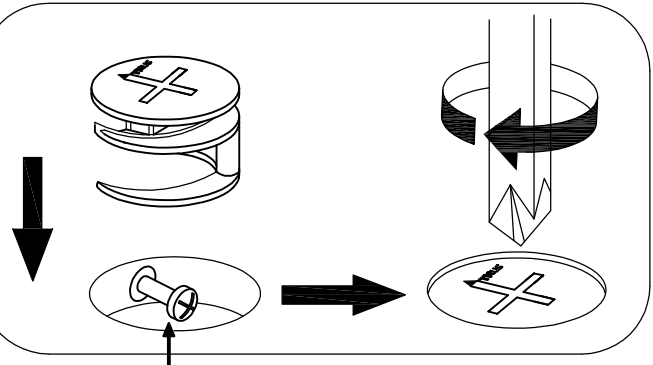
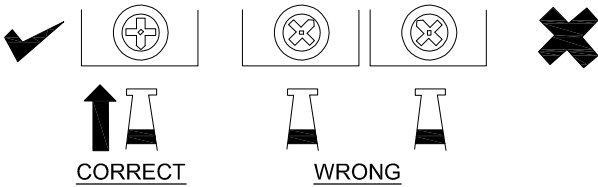
ET 3115-02

SPECIAL TIPS FOR FITTING CAM-LOCKS AND QUICKFIT

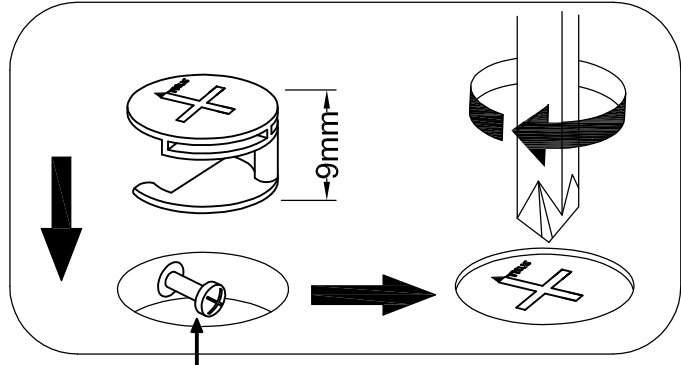
LARGE CAM-LOCK



WHEN FITTING CAMLOCK
ENSURE STARTING POSITION IS CORRECT
BEFORE YOU INSERT CONNECTING QUICKFIT
TURN CLOCKWISE UNTIL SECURE

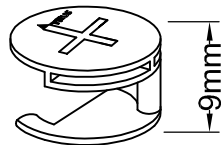


Quickfit head needs to be in centre



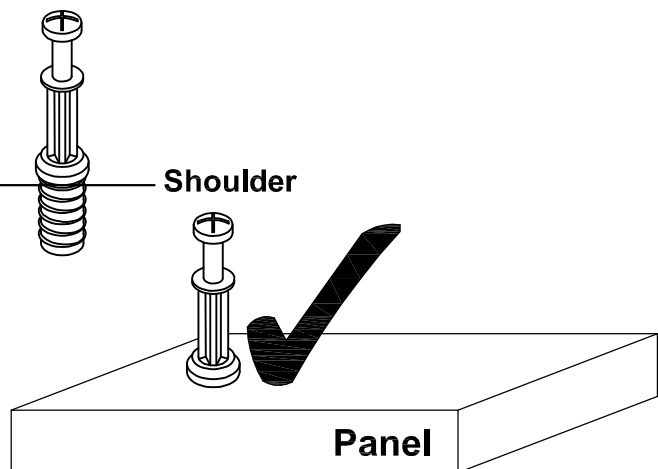
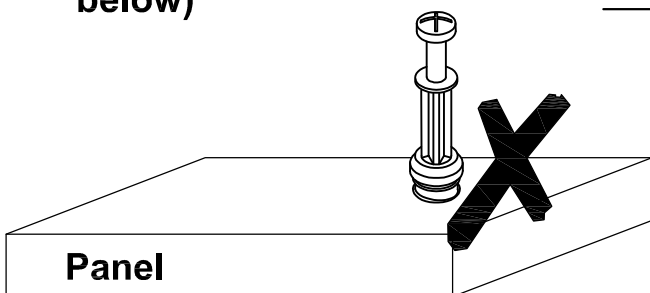
Cam bolt head needs to be in centre

SMALL CAM-LOCK



QUICKFIT

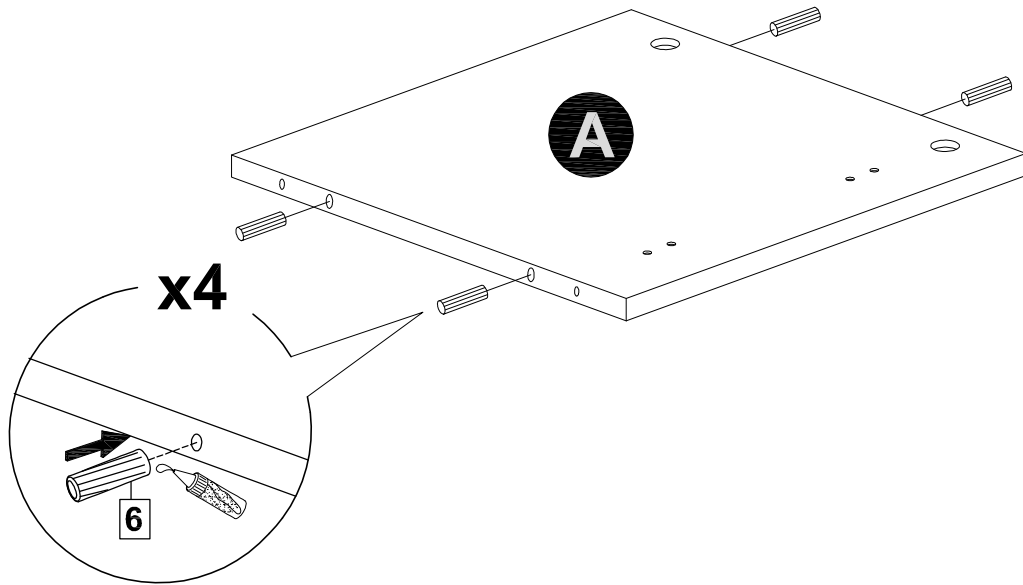
Tighten until shoulder is flush with panel. Do not overtighten or undertighten (see example below)



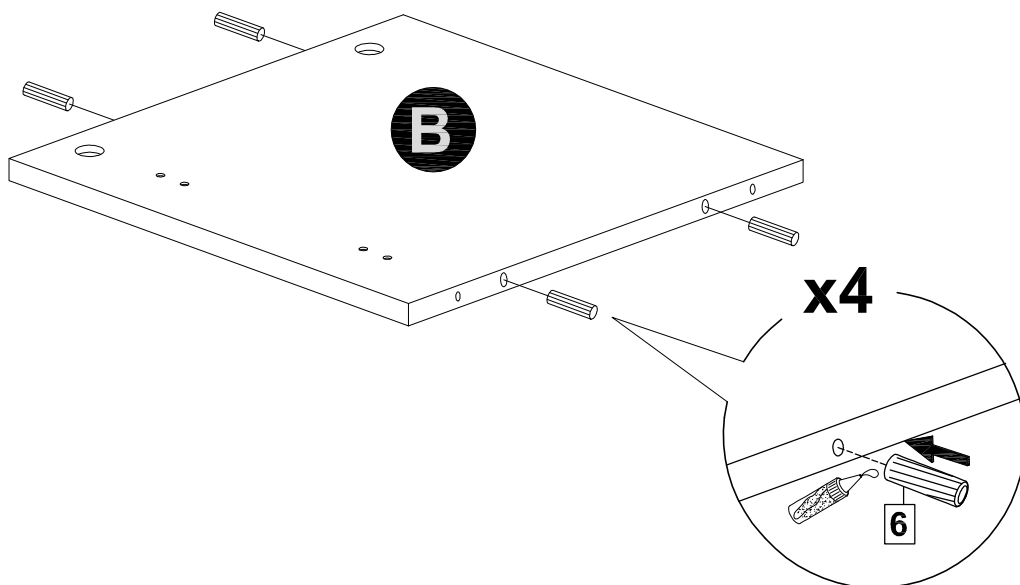
MODEL NAME:

ET 3115-02

STEP 1



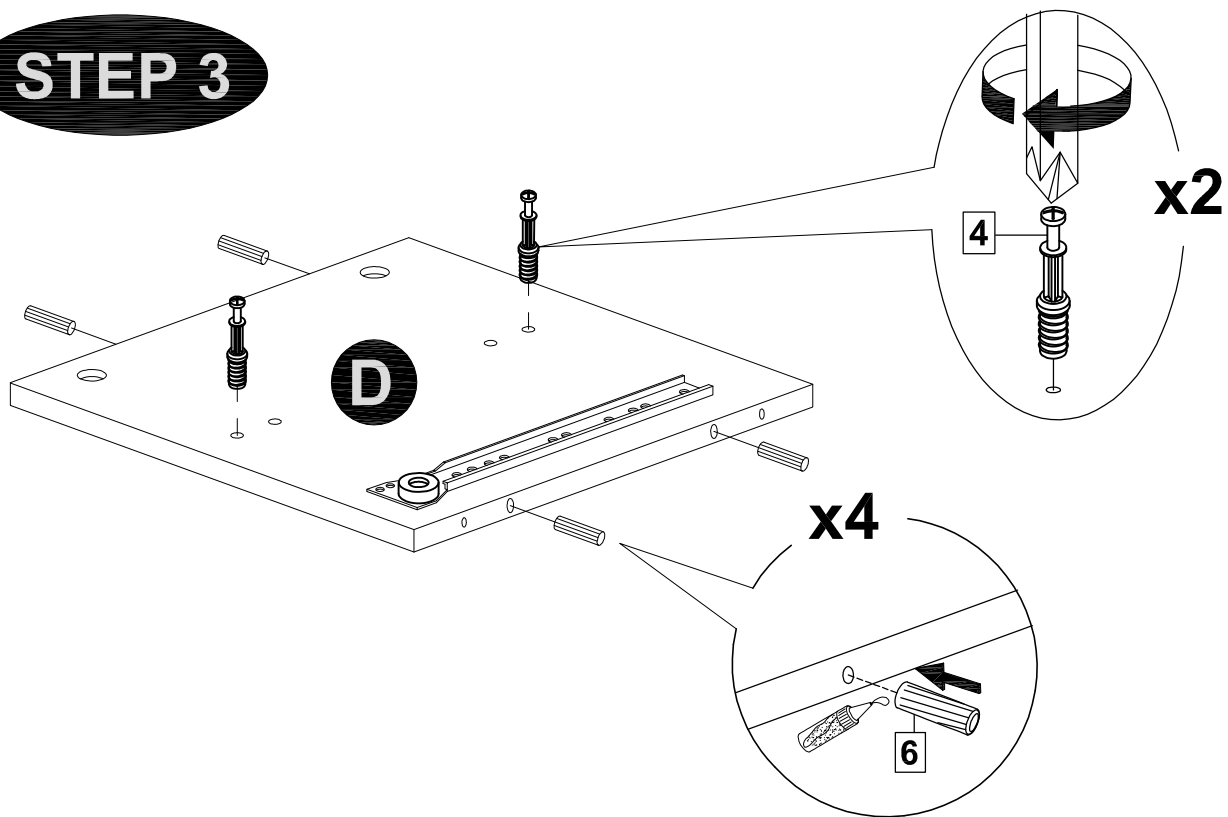
STEP 2



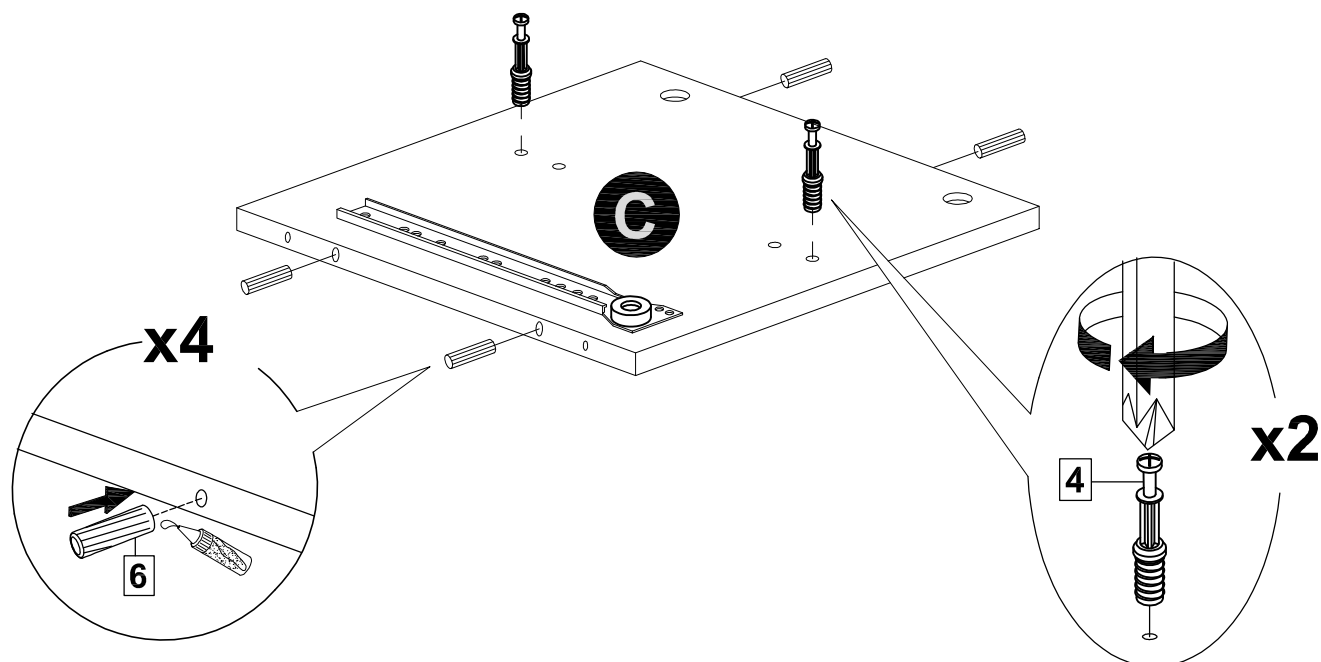
MODEL NAME:

ET 3115-02

STEP 3



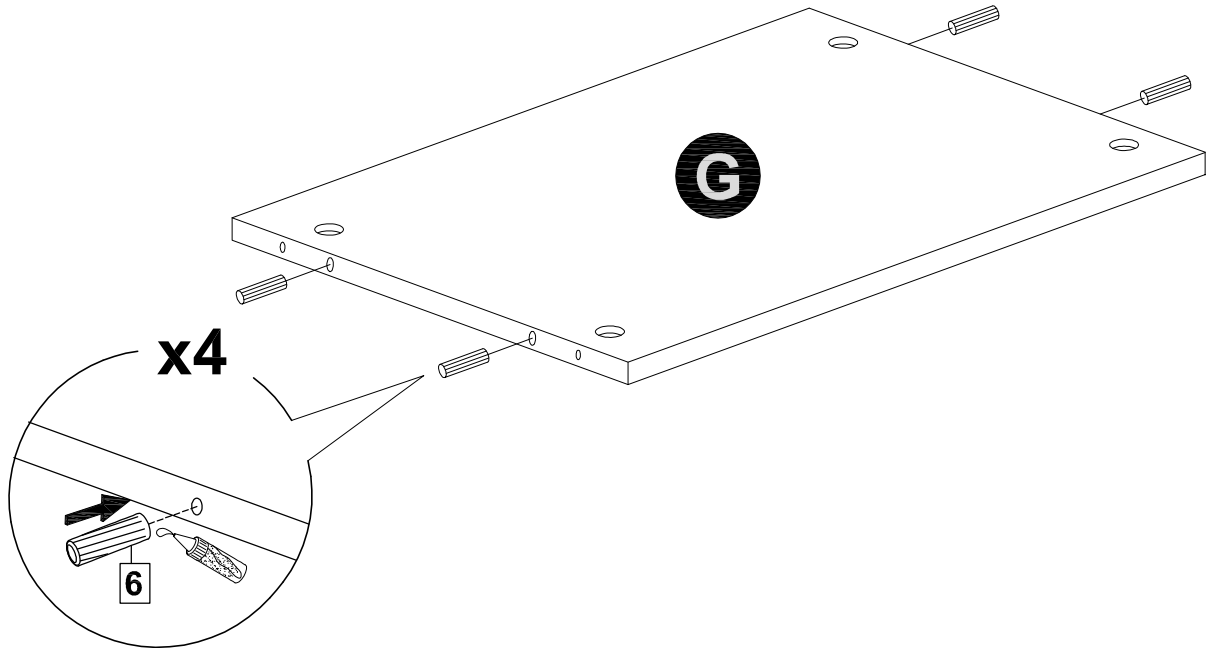
STEP 4



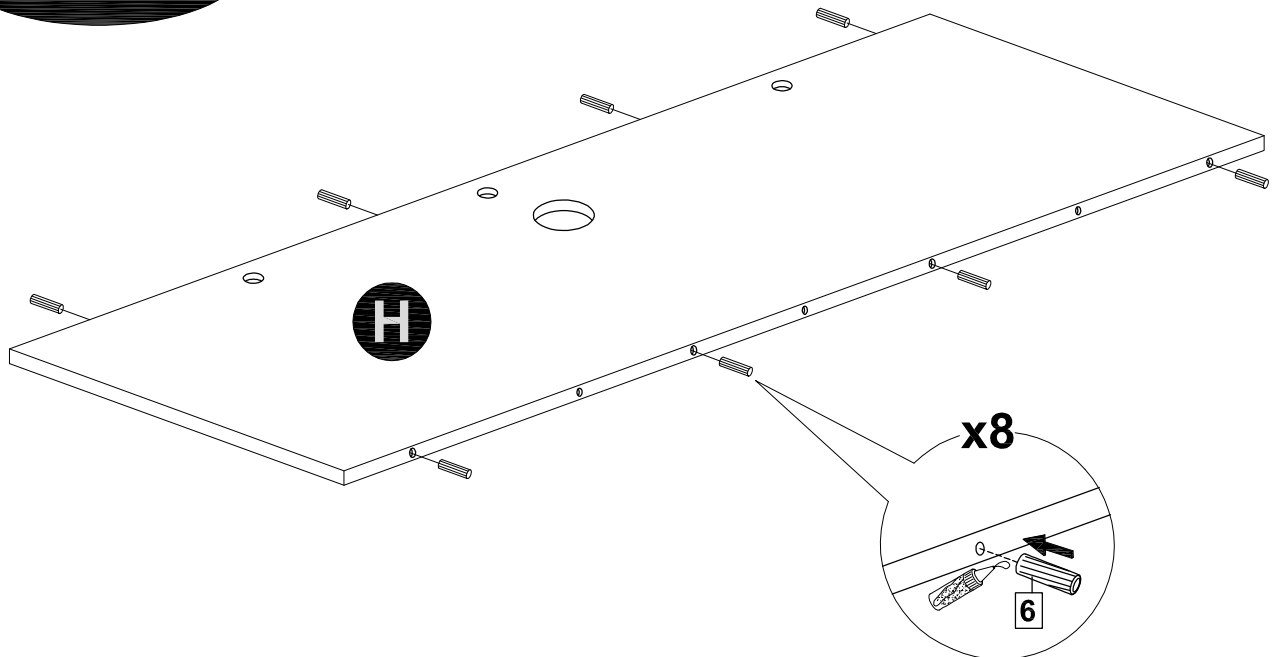
MODEL NAME:

ET 3115-02

STEP 5



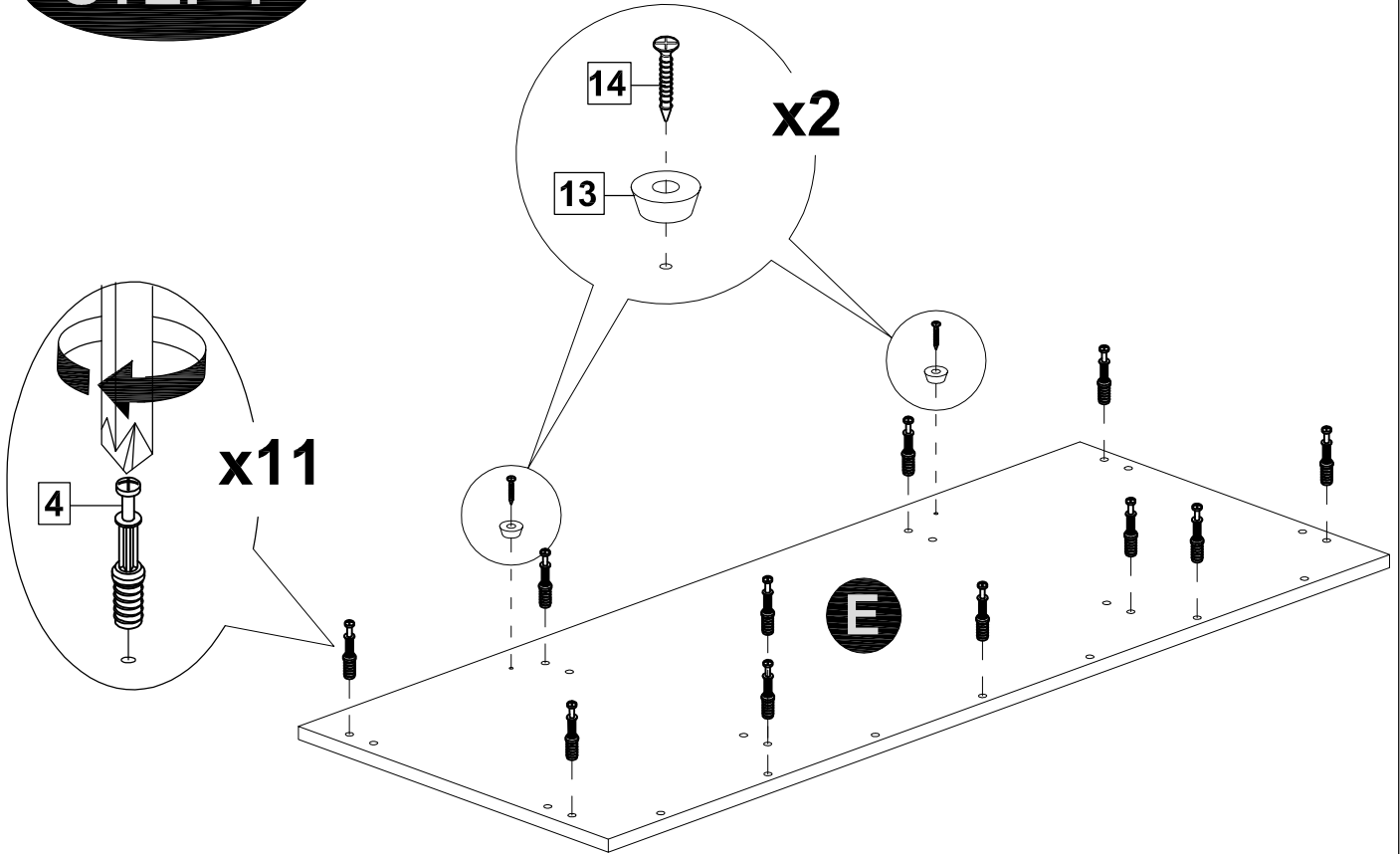
STEP 6



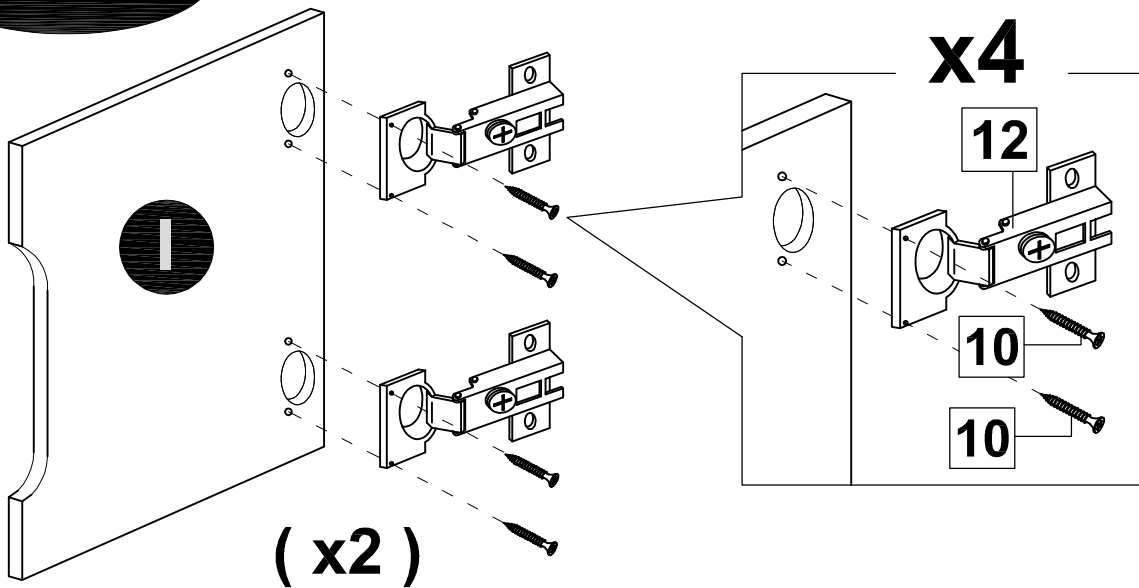
MODEL NAME:

ET 3115-02

STEP 7



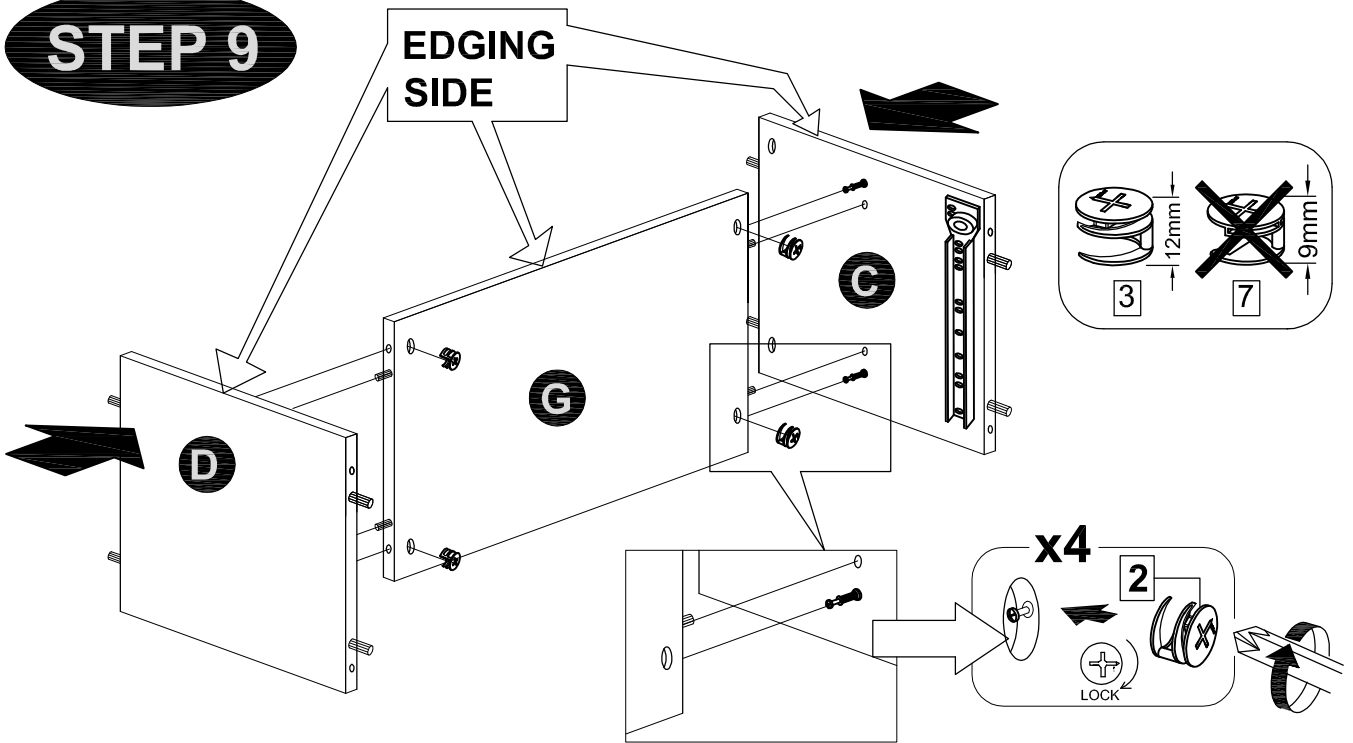
STEP 8



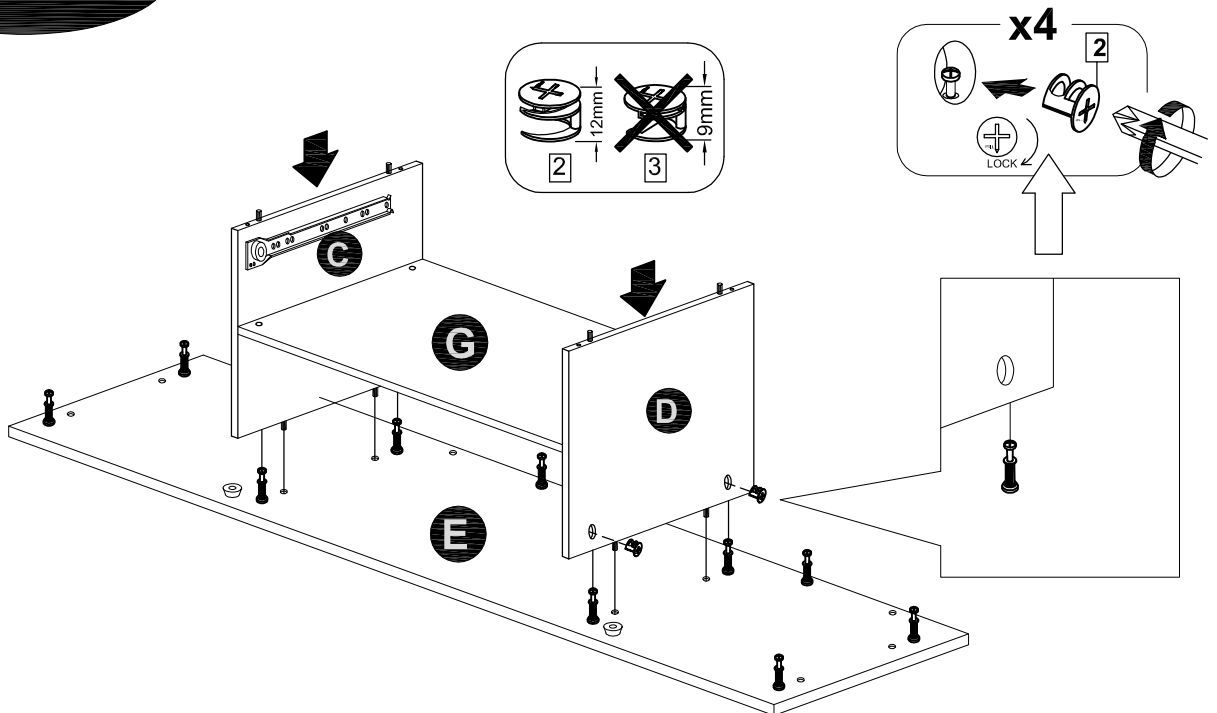
MODEL NAME:

ET 3115-02

STEP 9



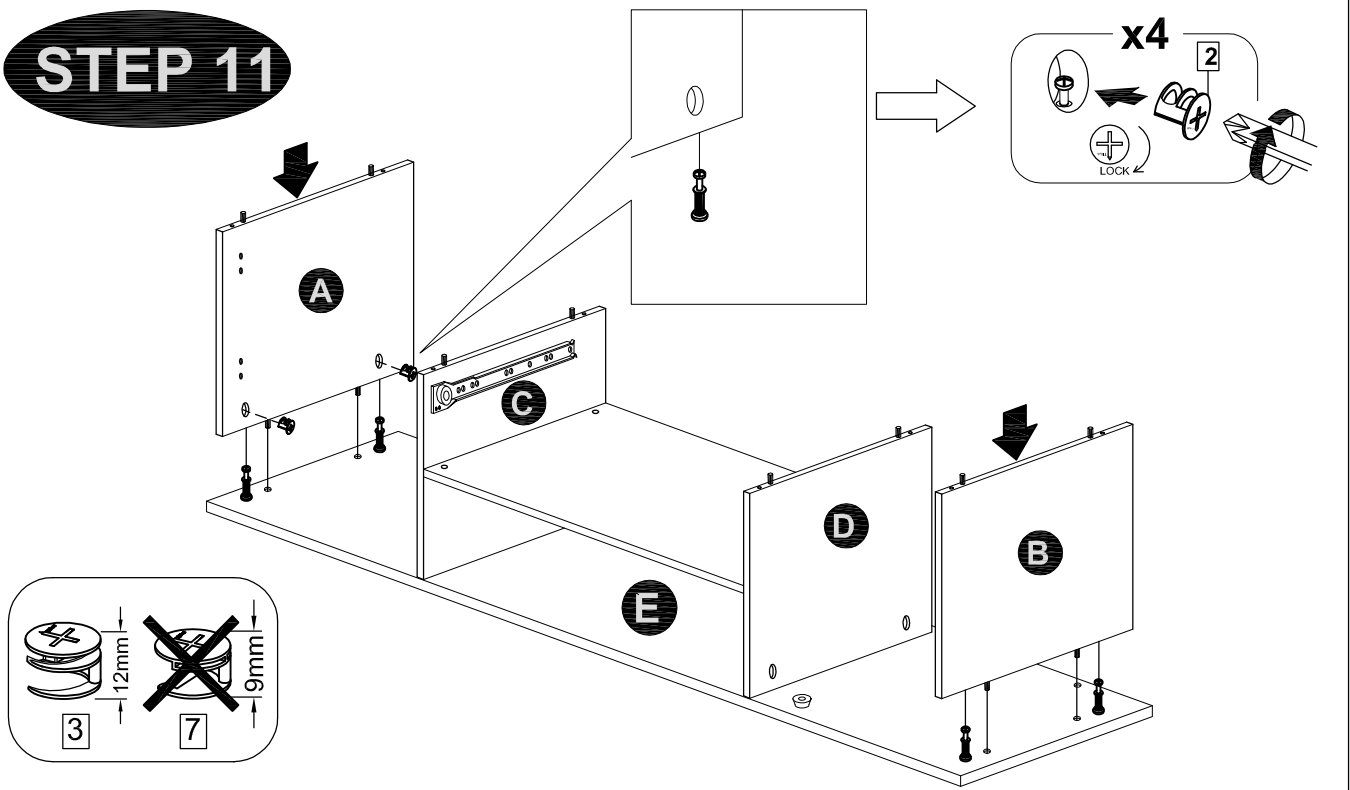
STEP 10



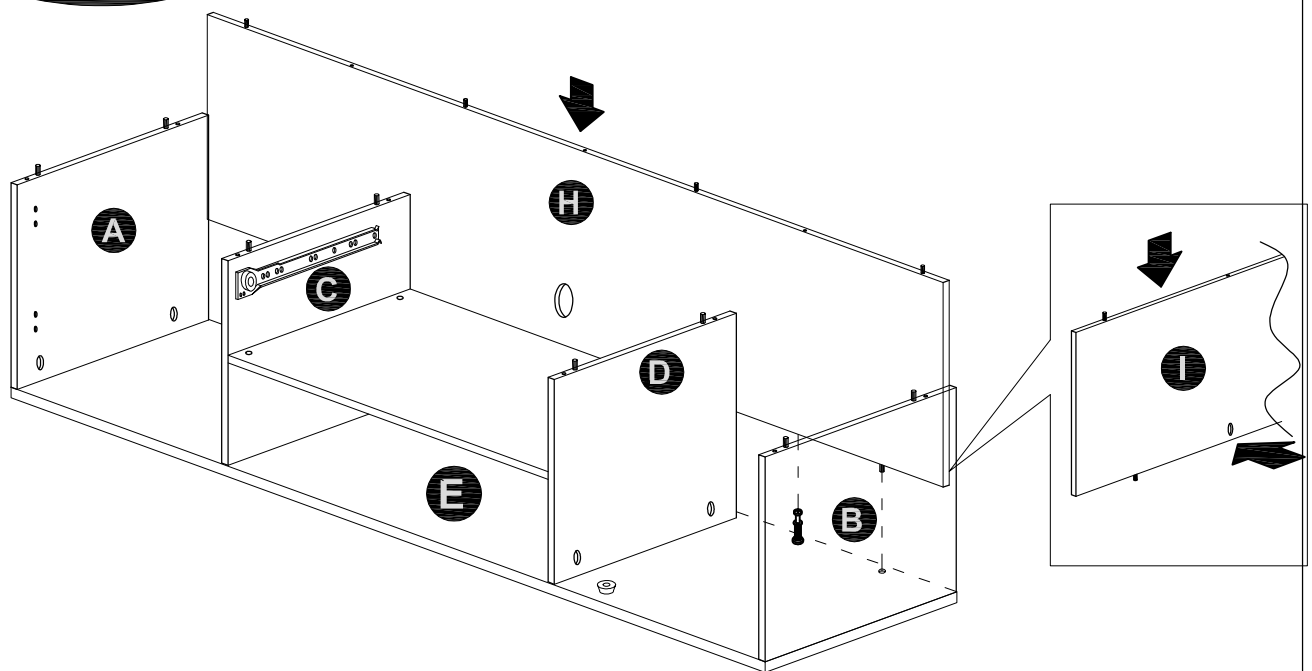
MODEL NAME:

ET 3115-02

STEP 11



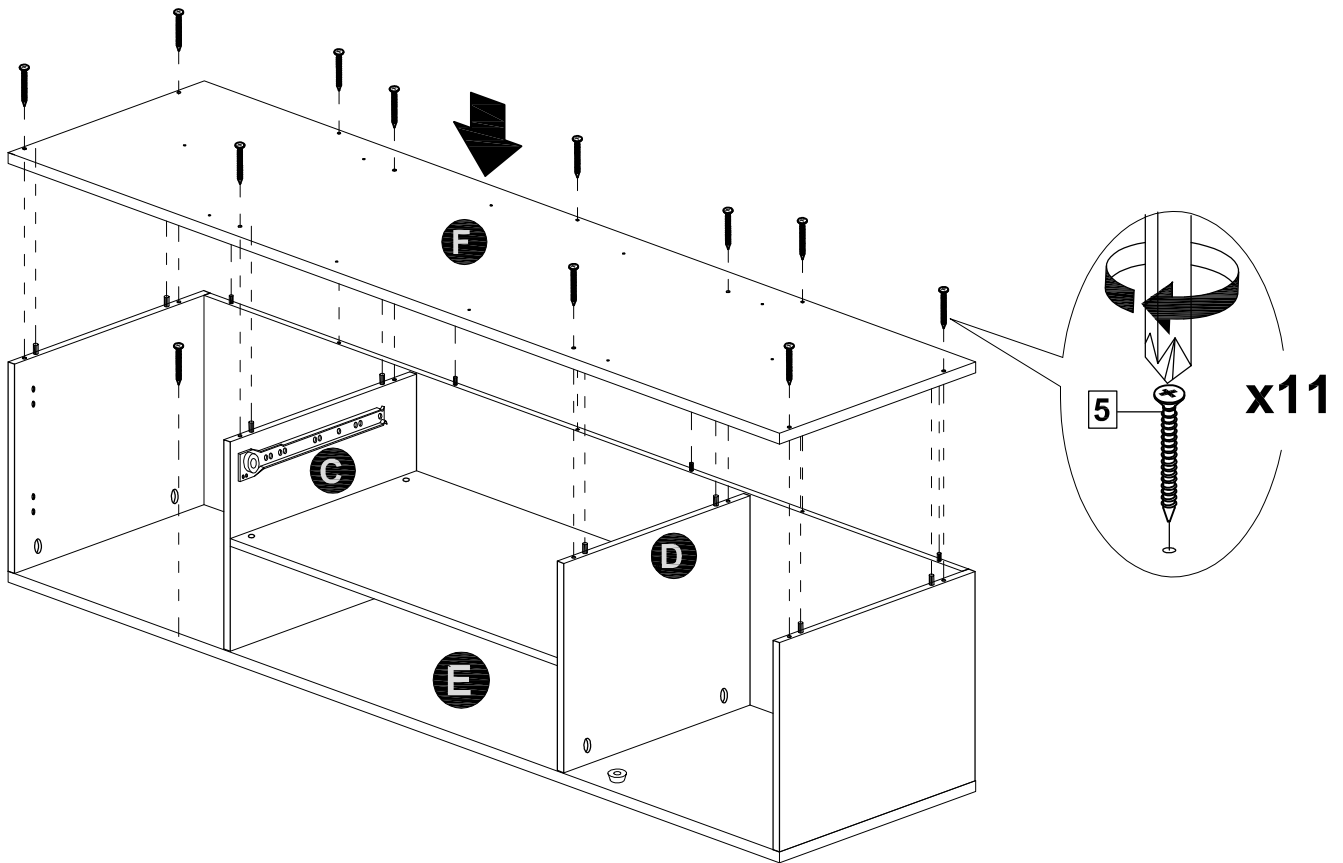
STEP 12



MODEL NAME:

ET 3115-02

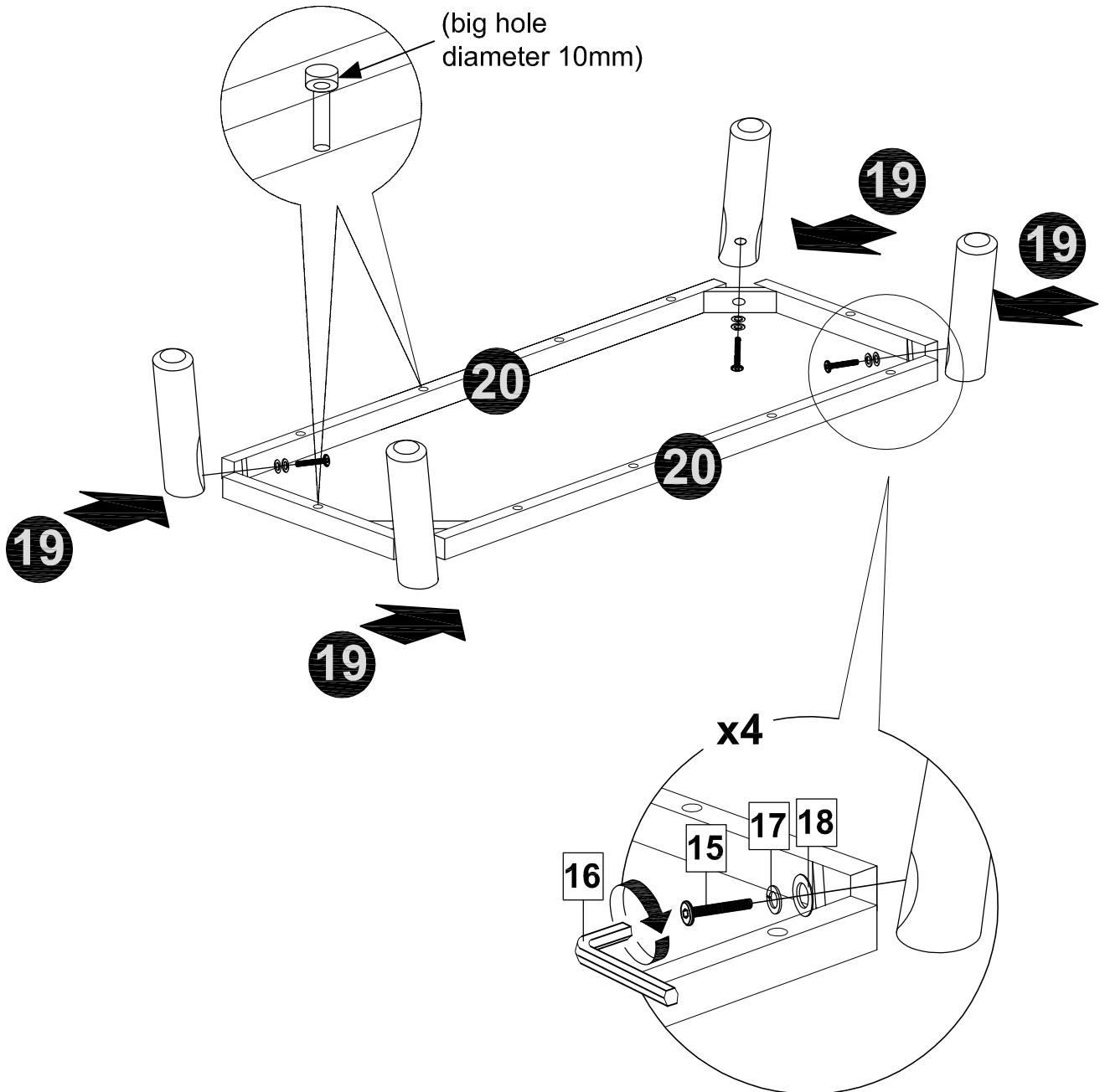
STEP 13



MODEL NAME:

ET 3115-02

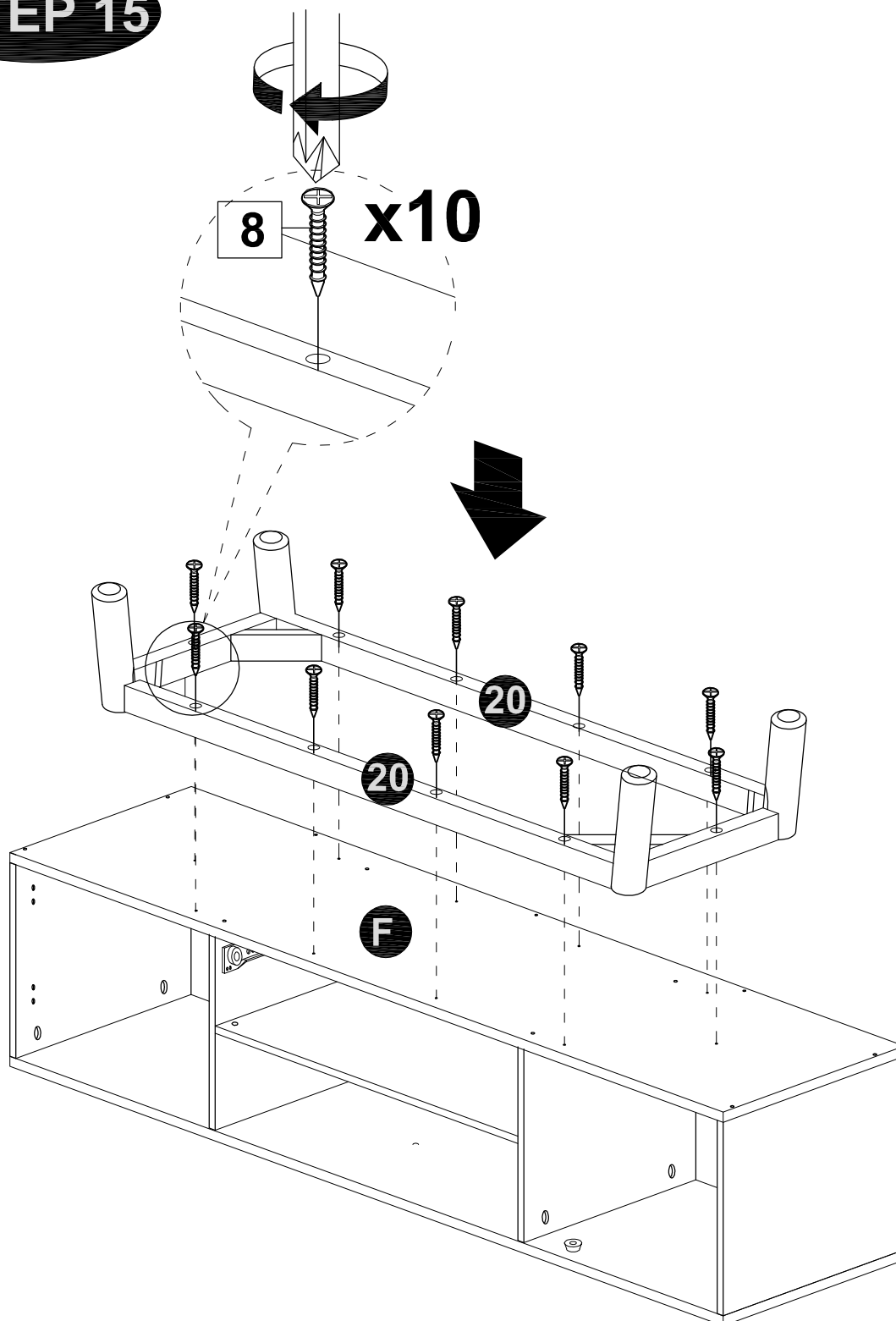
STEP 14



MODEL NAME:

ET 3115-02

STEP 15

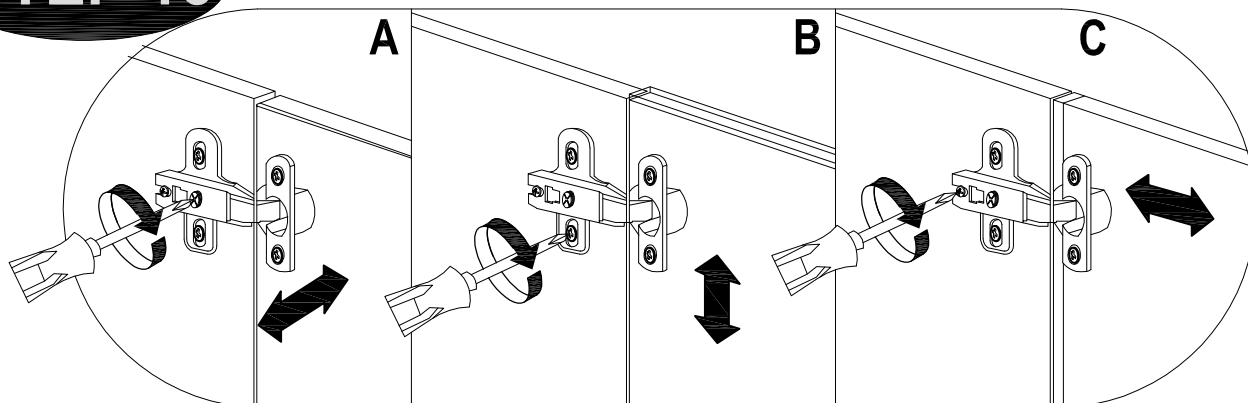


MODEL NAME:

ET 3115-02

STEP 16

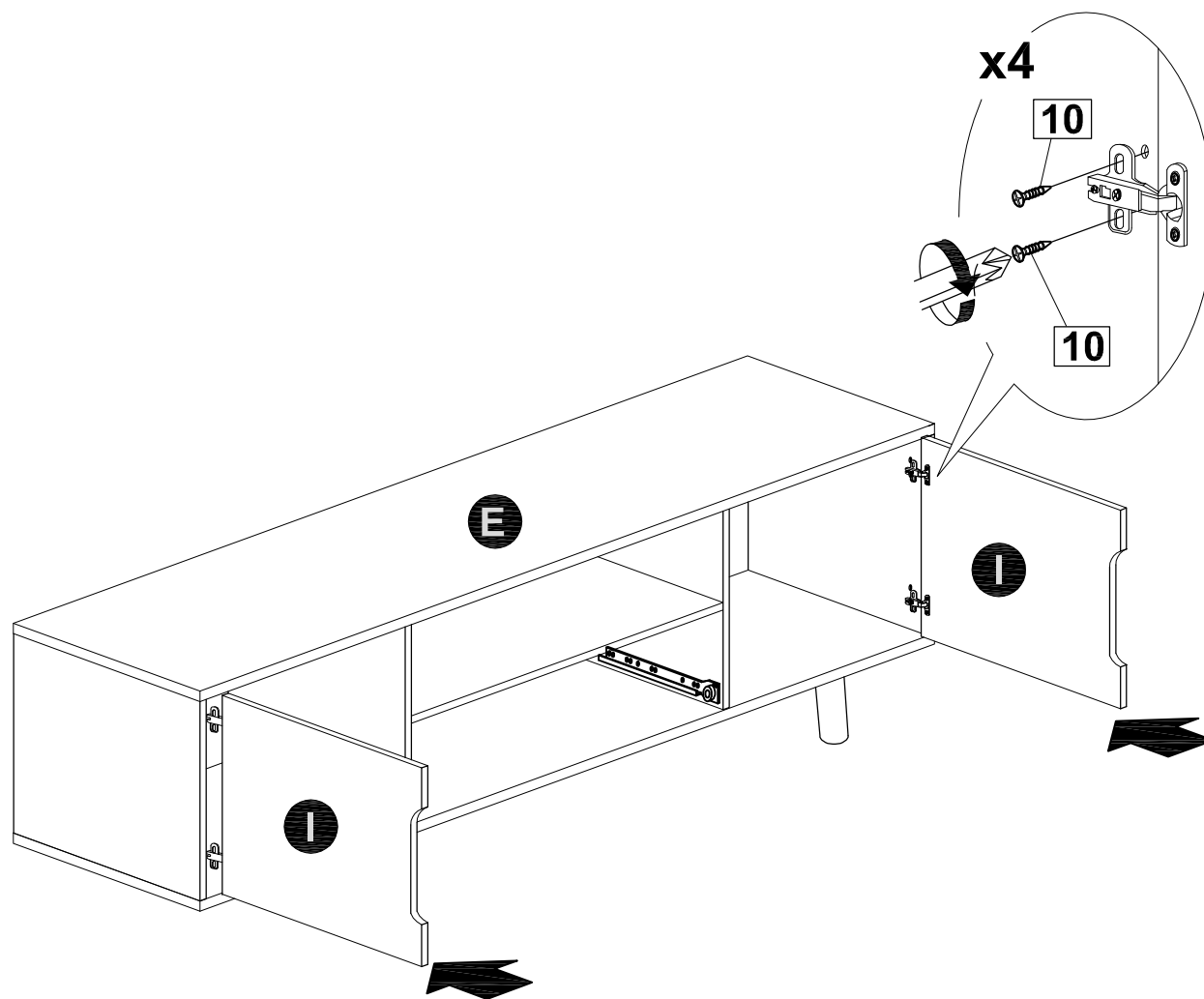
Hinges Adjustment Facilities



A.Lateral adjustment by screw adjusting

B.Vertical adjustment via slot in the mounting plate

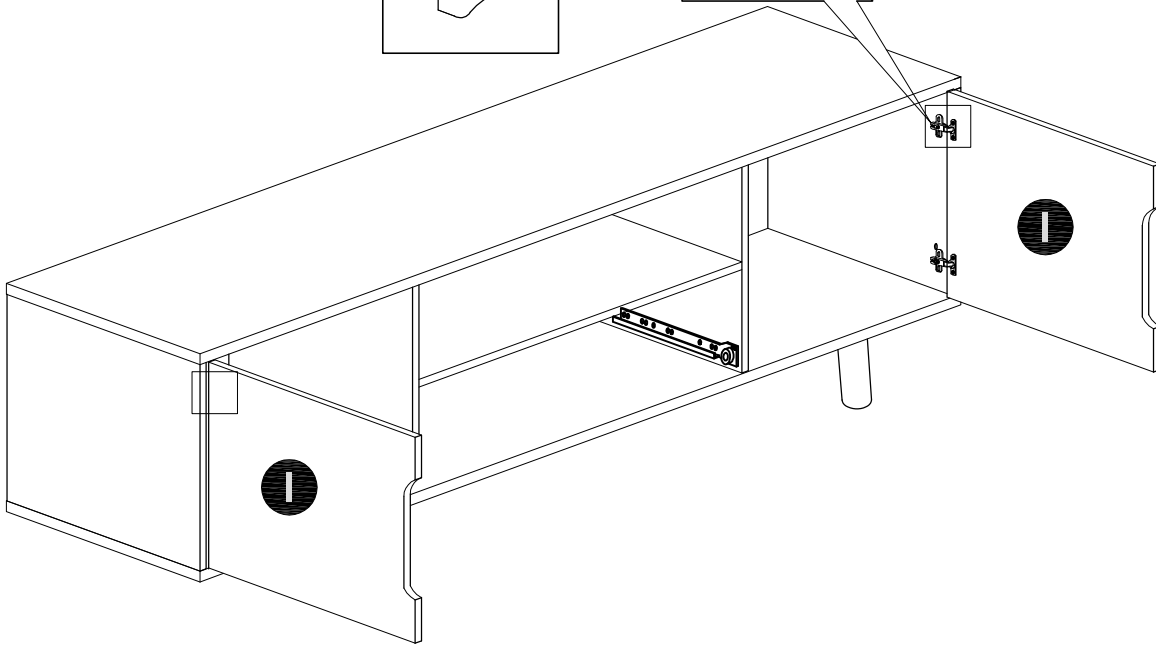
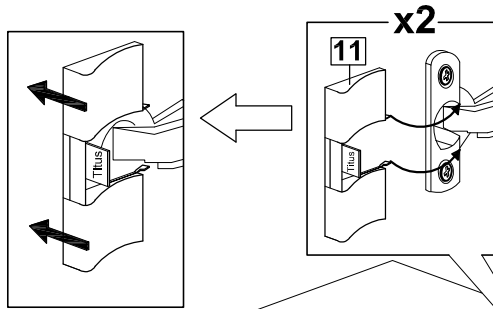
C.Front-to-Back by the slacking the hinge arm mounting screw



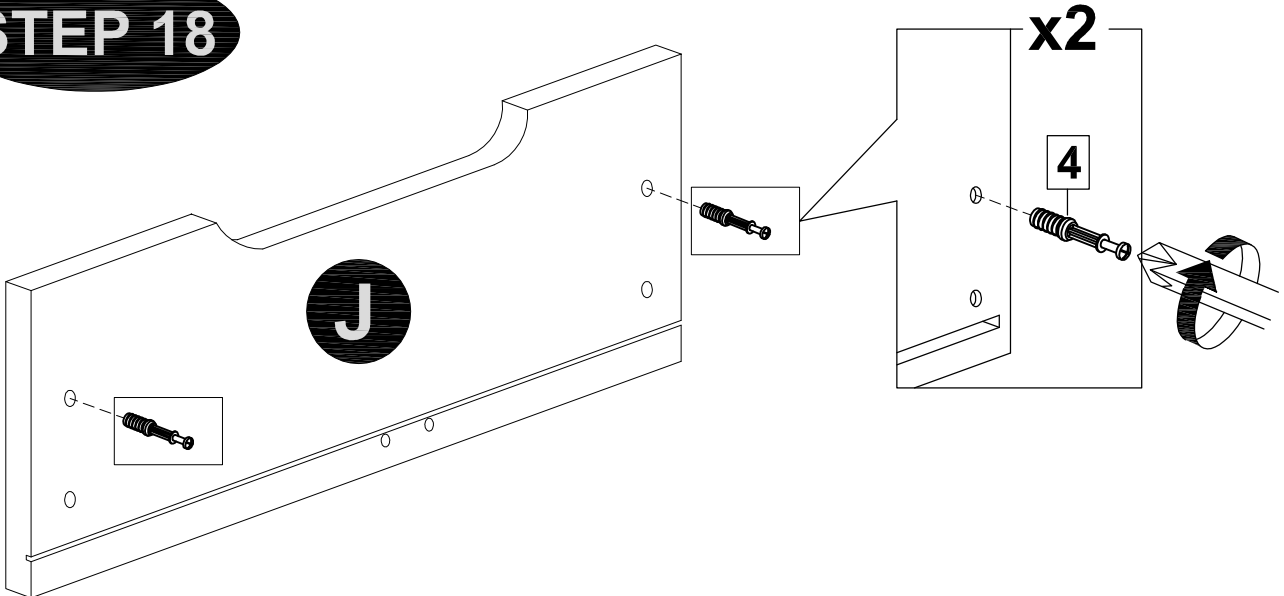
MODEL NAME:

ET 3115-02

STEP 17



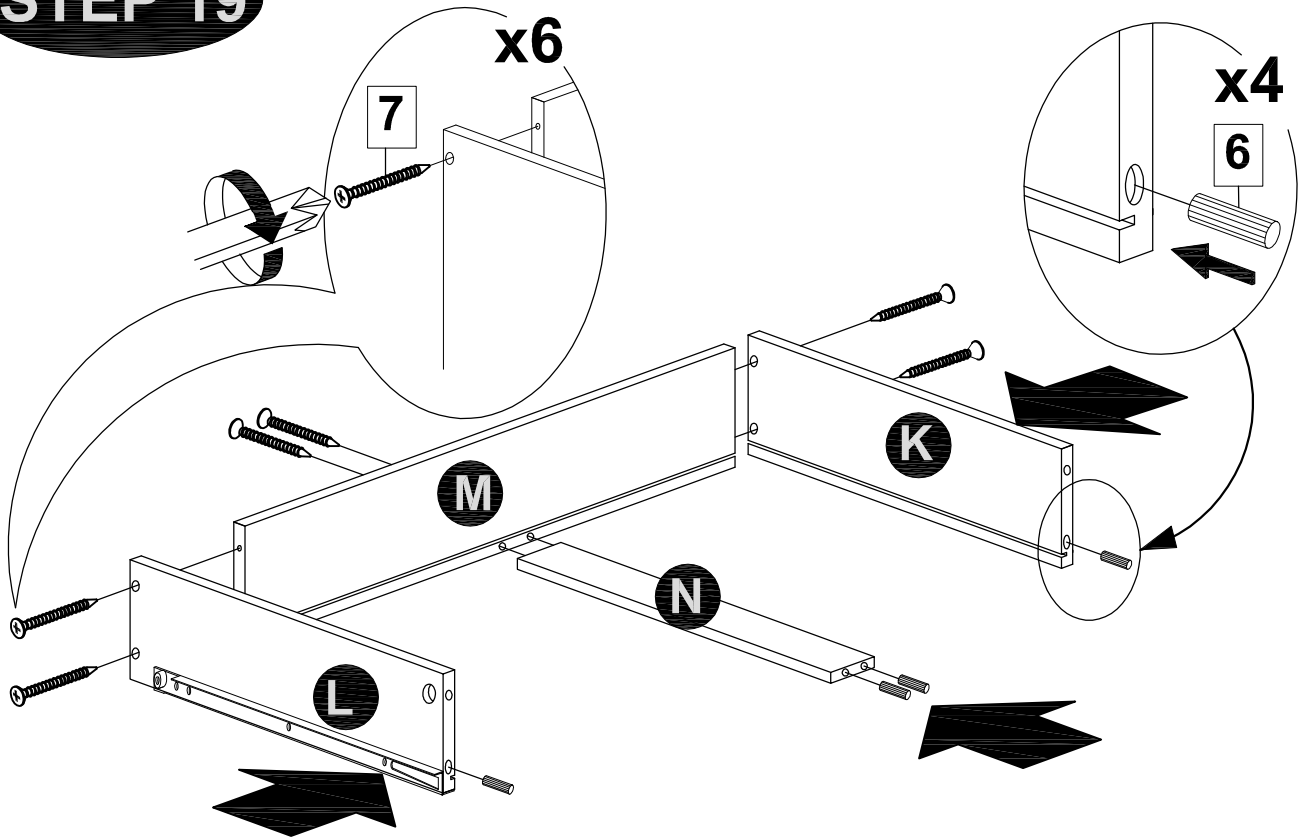
STEP 18



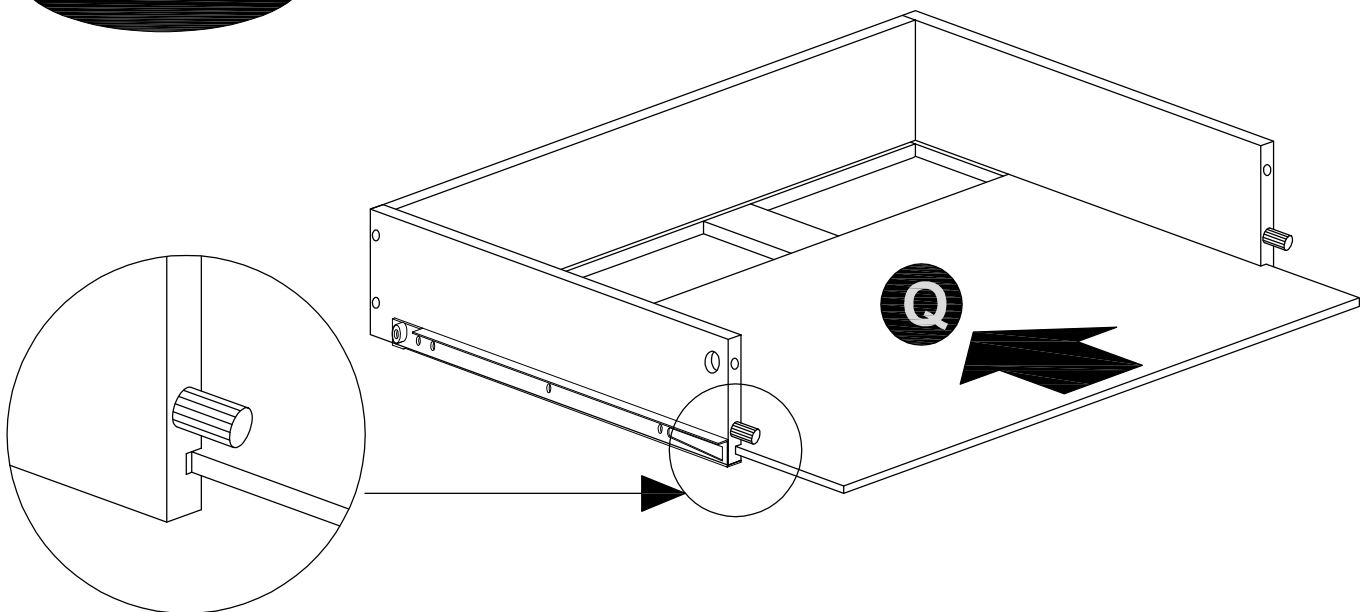
MODEL NAME:

ET 3115-02

STEP 19



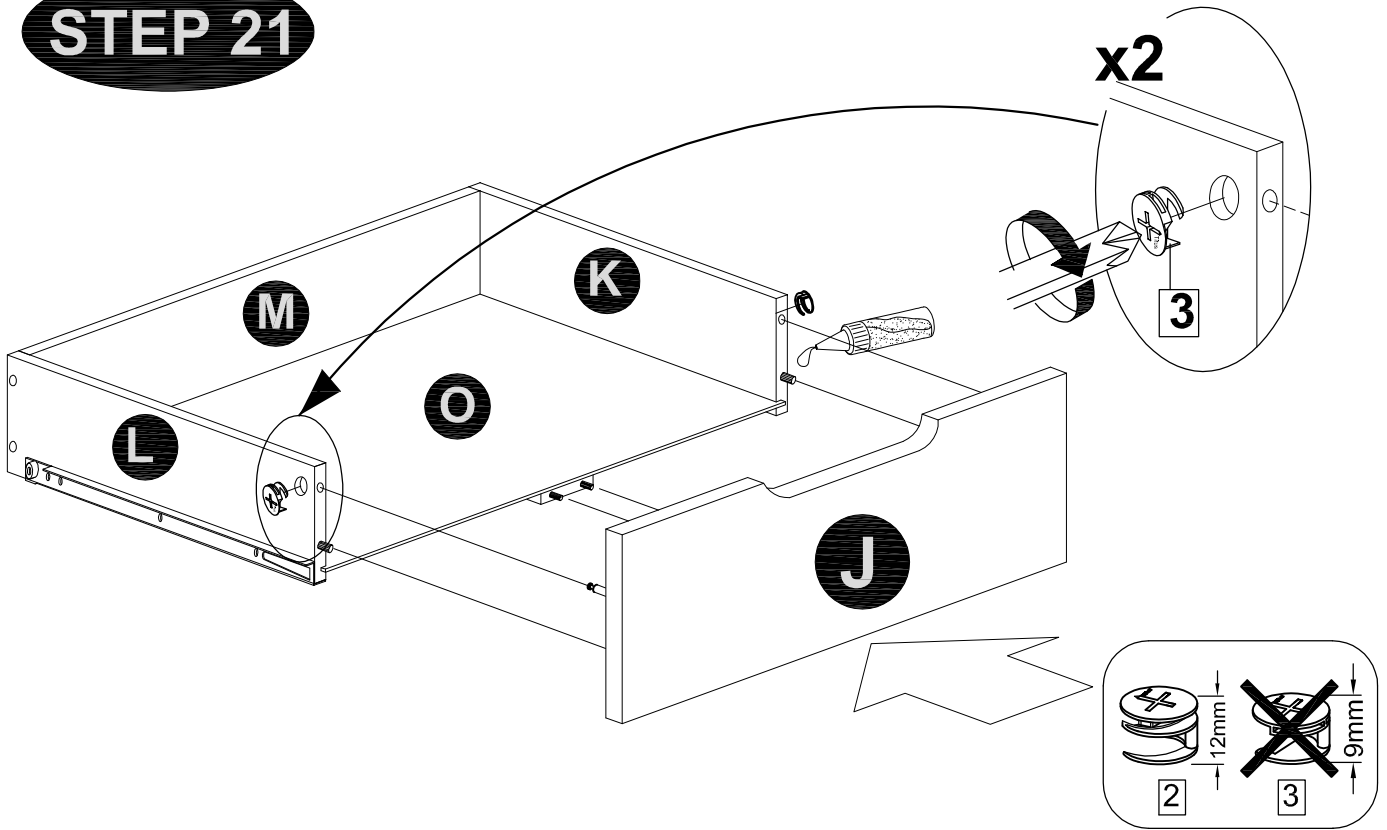
STEP 20



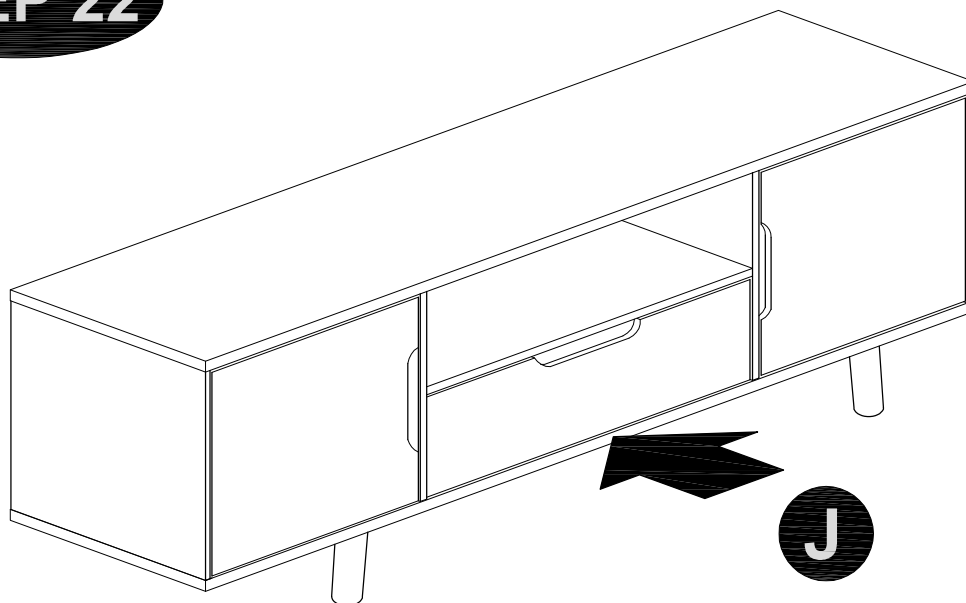
MODEL NAME:

ET 3115-02

STEP 21



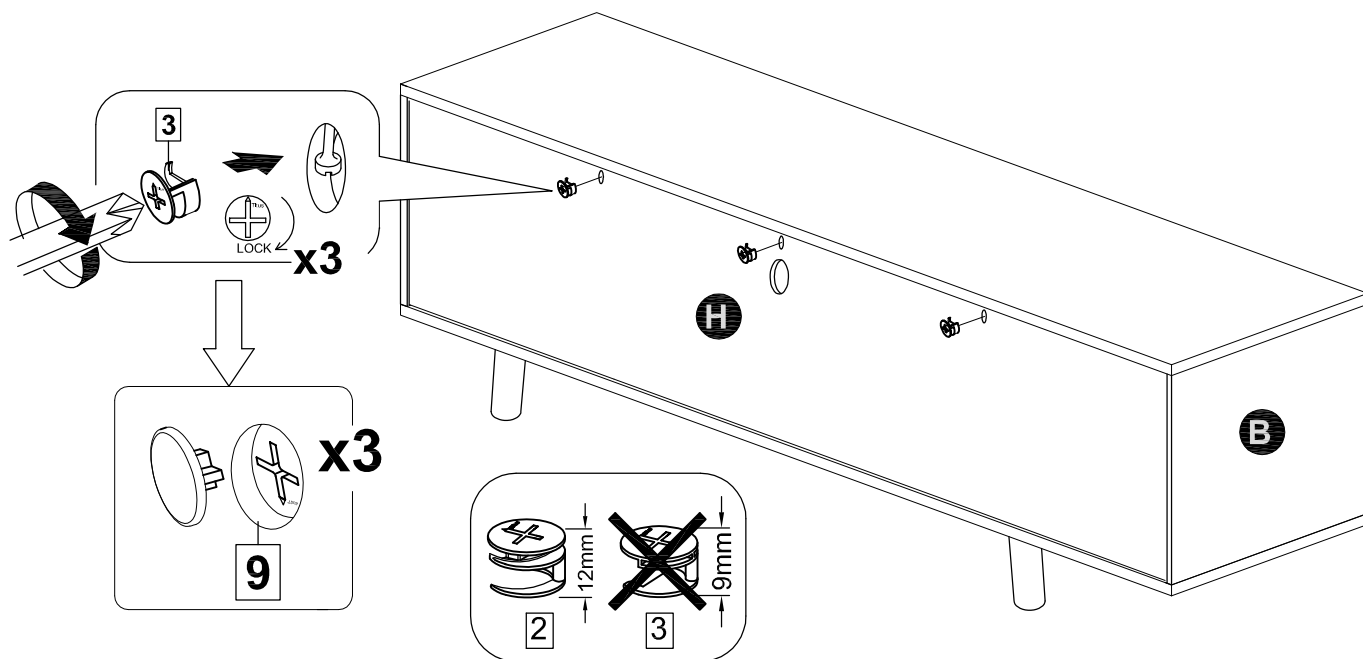
STEP 22



MODEL NAME:

ET 3115-02

STEP 23



STEP 24

