

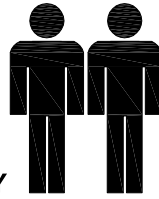
MODEL NAME:

ET 3112-02

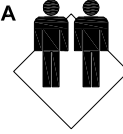
1.5hr

APPROXIMATE ASSEMBLY TIME

2 PERSON OF ASSEMBLY

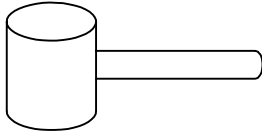


FLOOR AREA
1.5M X 1.5M

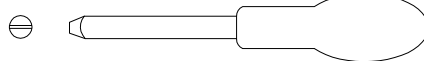


REQUIRED ASSEMBLY SPACE

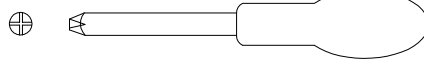
REQUIRED ASSEMBLY TOOLS



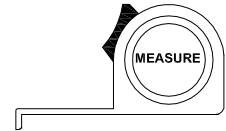
SOFT RUBBER HAMMER



SLOTTED SCREWDRIVER

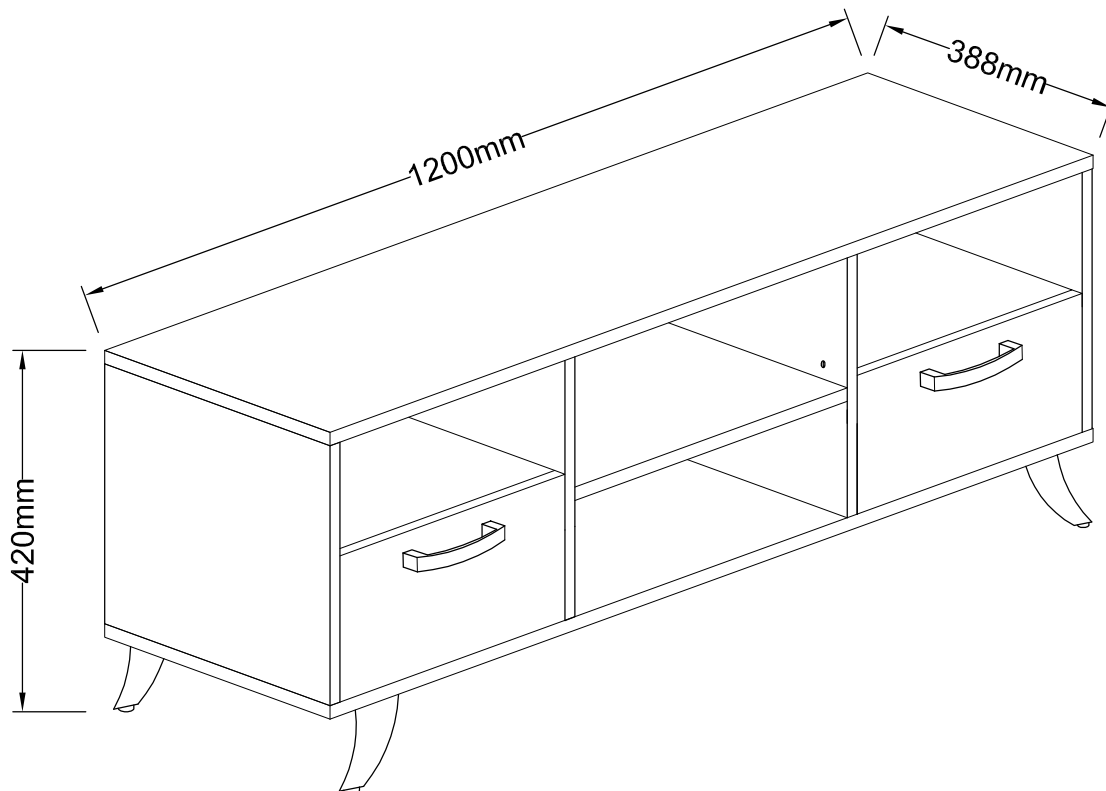


POZI SCREWDRIVER



MEASURING TAPE

ASSEMBLED DIMENSIONS



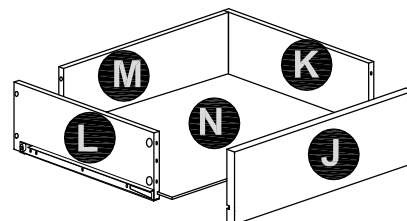
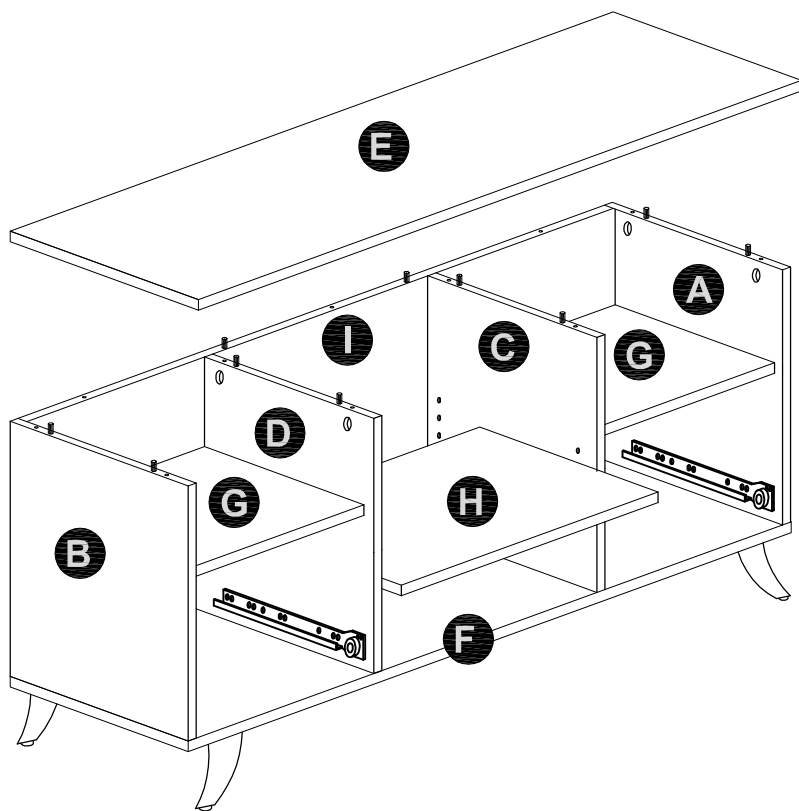
NOTE : THE MAXIMUM WEIGHT THIS PRODUCT CAN HOLD UP TO 25 KGS.

MODEL NAME:

ET 3112-02

NO.	PART LIST	QTY	NO.	PART LIST	QTY
(A)	RIGHT SIDE PANEL	1	(J)	DRAWER FRONT	2
(B)	LEFT SIDE PANEL	1	(K)	DRAWER RIGHT SIDE PANEL	2
(C)	RIGHT CENTRE PANEL	1	(L)	DRAWER LEFT SIDE PANEL	2
(D)	LEFT CENTRE PANEL	1	(M)	DRAWER BACK PANEL	2
(E)	TOP PANEL	1	(N)	DRAWER BASE	2
(F)	BOTTOM PANEL	1			
(G)	FIXED PANEL	2			
(H)	ADJUSTABLE PANEL	1			
(I)	BACK PANEL	1			

PARTS LIST





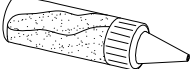
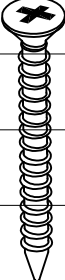
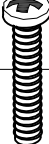
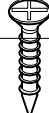

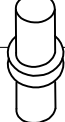

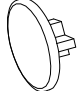
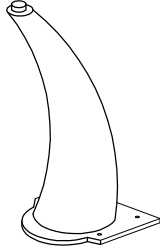


(x2)

MODEL NAME:

ET 3112-02

HARDWARE LIST

				
19X Dia.15mm 1 LARGE CAMLOCK	4X Dia.15mm 2 SMALL CAMLOCK	23X M6.5 3 QUICKFIT	36X Dia.6 x 30mm 4 WOOD DOWEL	2X 5 GLUE 10CC
				
11X M8 x 38mm 6 FLAT HEAD SCREW	4X M4 x 19mm 7 PAN HEAD SCREW	20X M3.5 x 16mm 8 FLAT HEAD SCREW	8X M3.5 x 25mm 9 FLAT HEAD SCREW	4X Dia.5 x 16mm 10 SHELF STUB
				
2X 11 HANDLE	11X Dia 17mm 12 UNIVERSAL CAP	4X 13 METAL LEG		

MODEL NAME:

ET 3112-02

Top Tips before you start!

1. Please check that all parts are present before you start the assembly of your furniture.
2. For ease and speed of assembly, we recommend that before you commence each step of the assembly, that you identify all the parts required for that step.
3. For larger items, please ensure that you have sufficient space and people (as indicated on page 1) to assemble your product safely
4. We recommend that, where possible, all items are assembled near to the area in which they will be placed in use, to avoid moving the product unnecessarily once assembled.
5. For the protection of your furniture, we recommend that the product is placed on a protected surface during assembly to prevent any damage.
6. During assembly please take care not to over-tighten any fittings, as this may damage the product.
7. Always place the product on a flat, steady and stable surface.
8. Do not sit or stand on the product. Do not use the product as a stepladder.
9. This product is intended for indoor, household use only as it is non industrial product.
10. This product is constructed from re-inforced hollow board. Excessive pressure causes irreparable damage. Please do not kneel on any part of this product during assembly.

Care and Maintenance of your Furniture

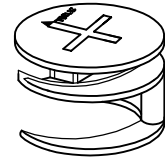
- Please periodically check all fittings and re-tighten as necessary.
- To clean your item, please use a damp cloth and wipe clean.
- Never allow any kind of liquid to remain on your furniture. Absorption can cause wood to warp or finishes to de-laminate.
- Please do not place hot items (e.g. hot drinks) directly on to the wood surface.
- Please do not drag and pull your furniture.

MODEL NAME:

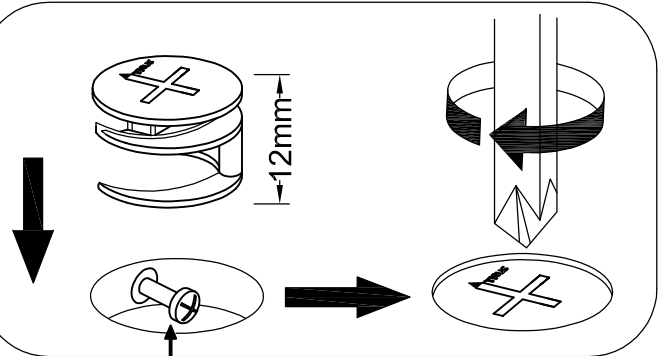
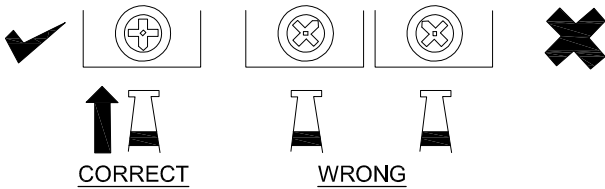
ET 3112-02

SPECIAL TIPS FOR FITTING CAM-LOCKS AND QUICKFIT

LARGE CAM-LOCK

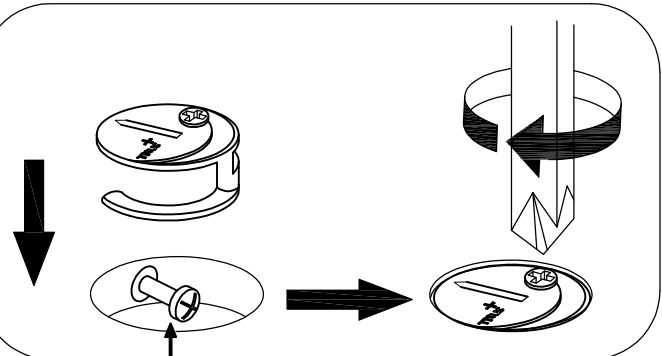


WHEN FITTING CAMLOCK
ENSURE STARTING POSITION IS CORRECT
BEFORE YOU INSERT CONNECTING QUICKFIT
TURN CLOCKWISE UNTIL SECURE



Quickfit head needs to be in centre

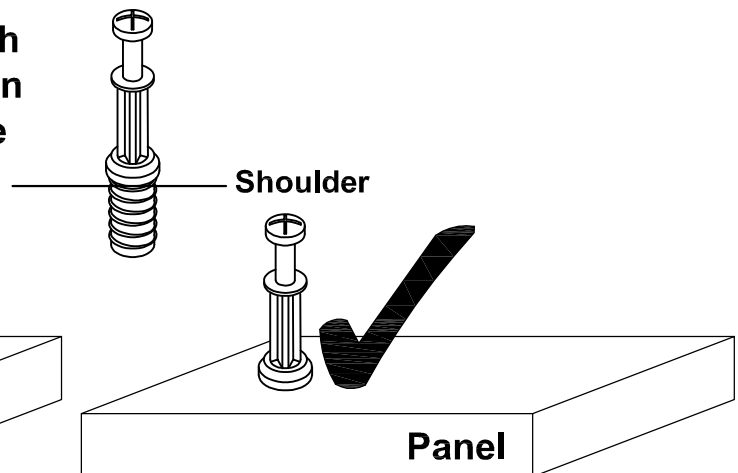
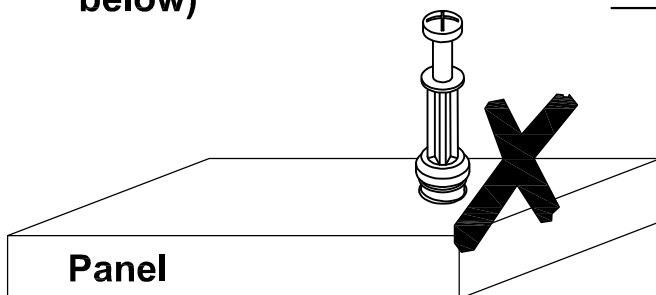
DRAWER CAM-LOCK



Quickfit head needs to be in centre

QUICKFIT

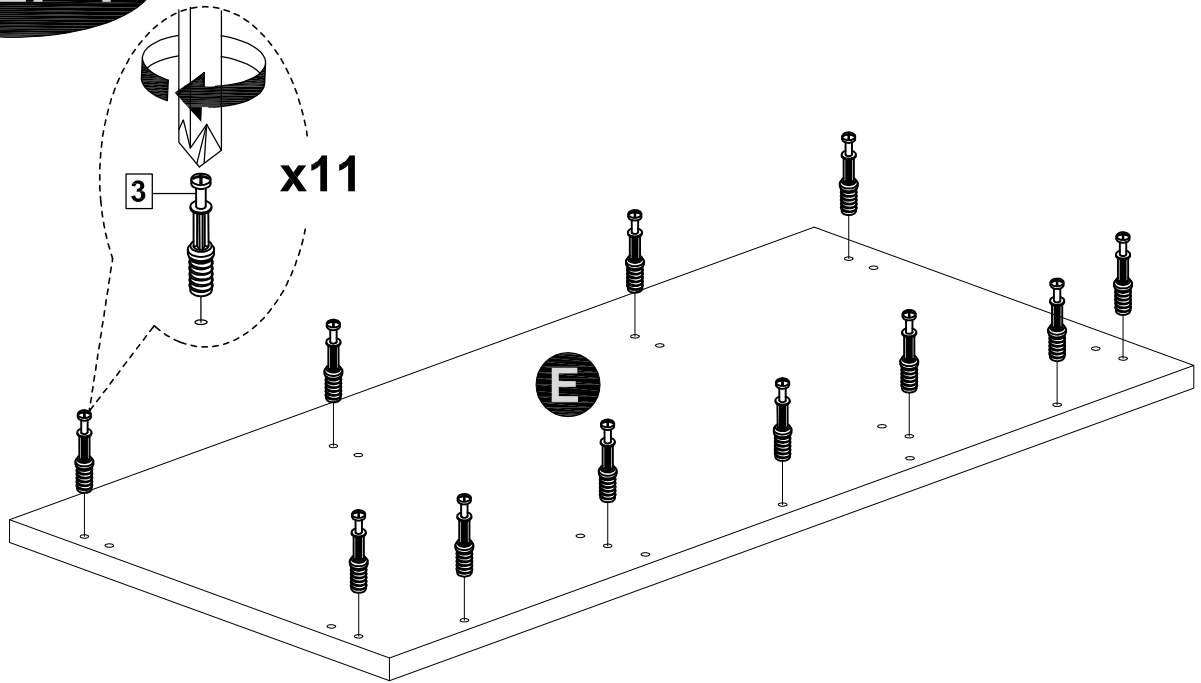
Tighten until shoulder is flush with panel. Do not overtighten or undertighten (see example below)



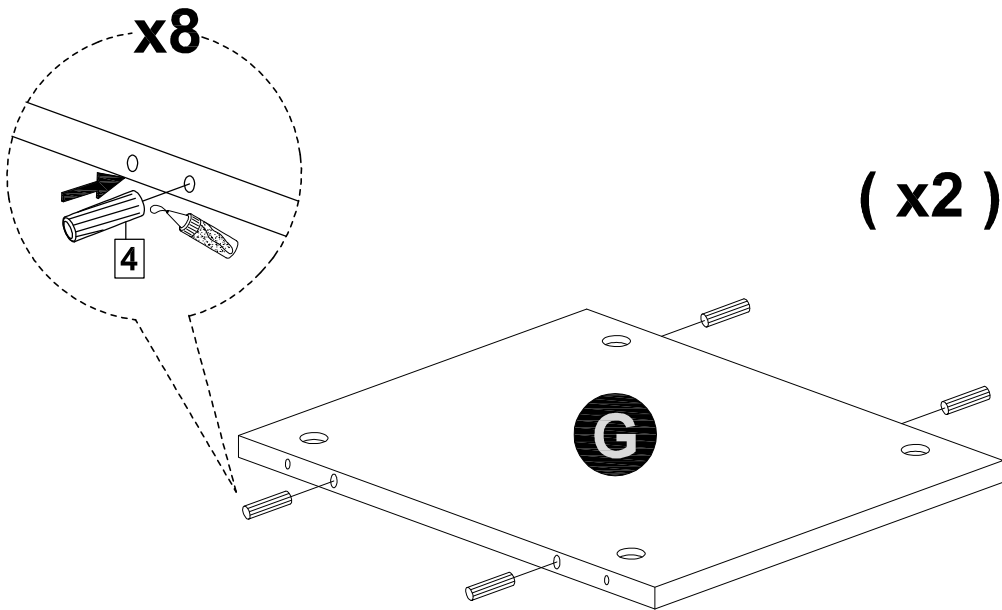
MODEL NAME:

ET 3112-02

STEP 1



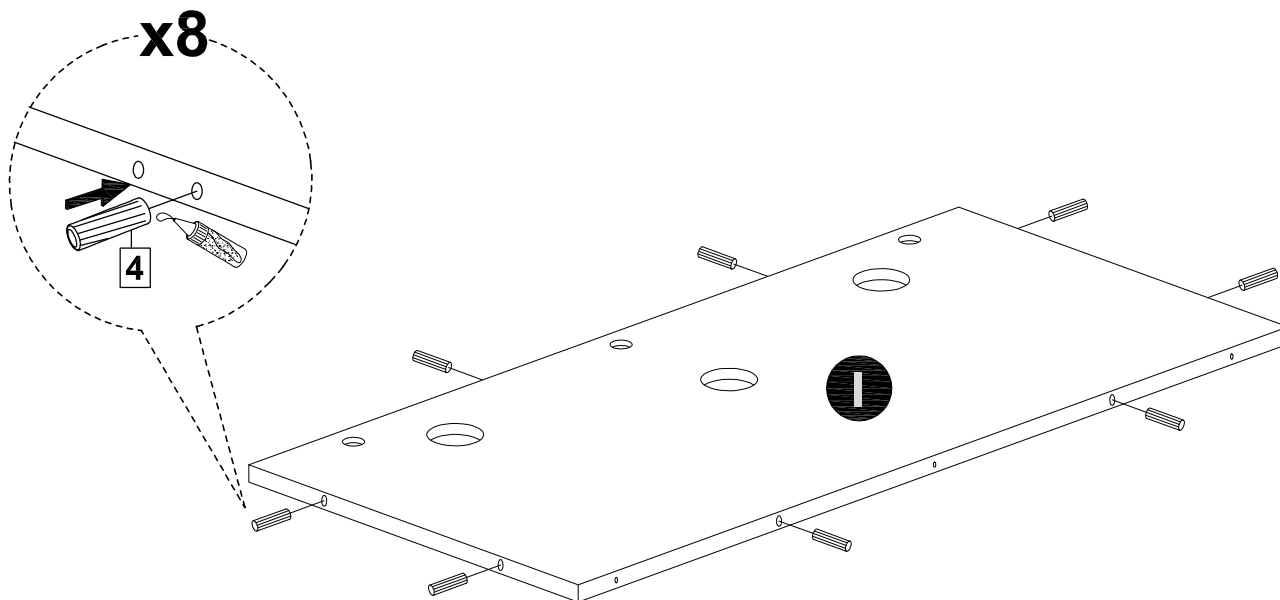
STEP 2



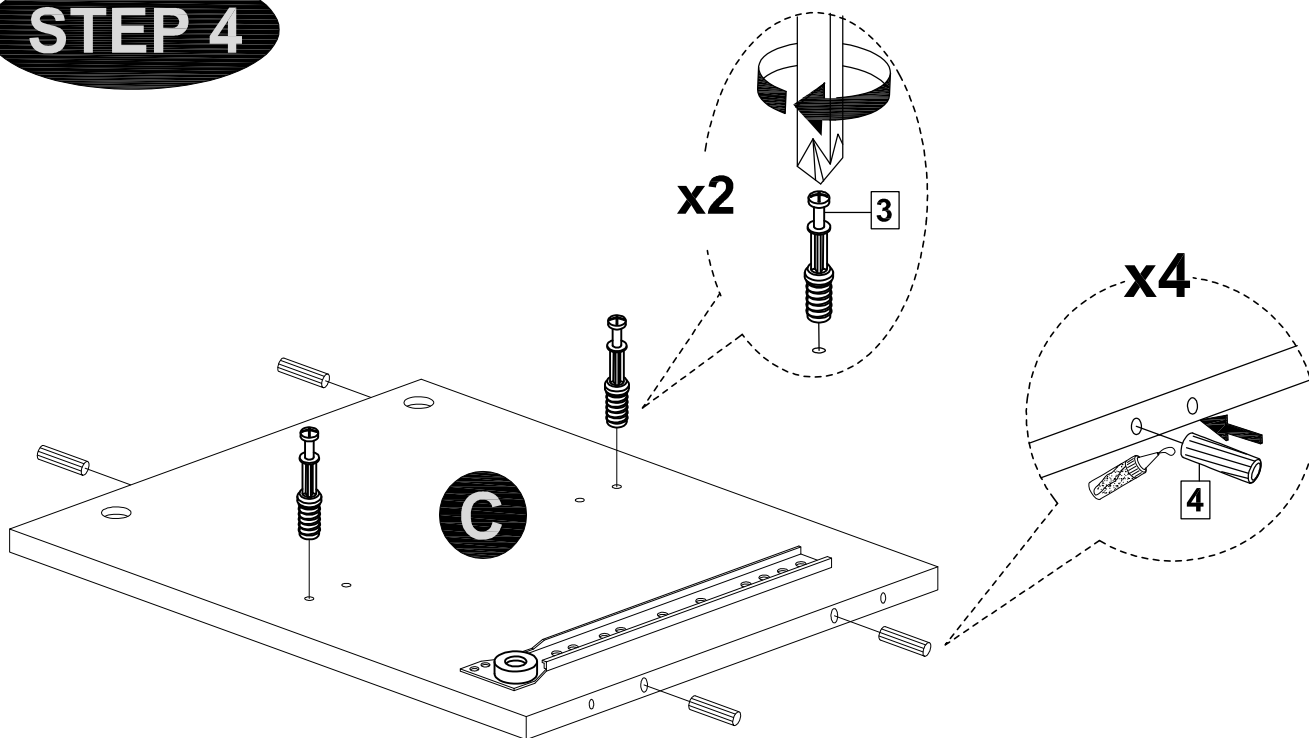
MODEL NAME:

ET 3112-02

STEP 3



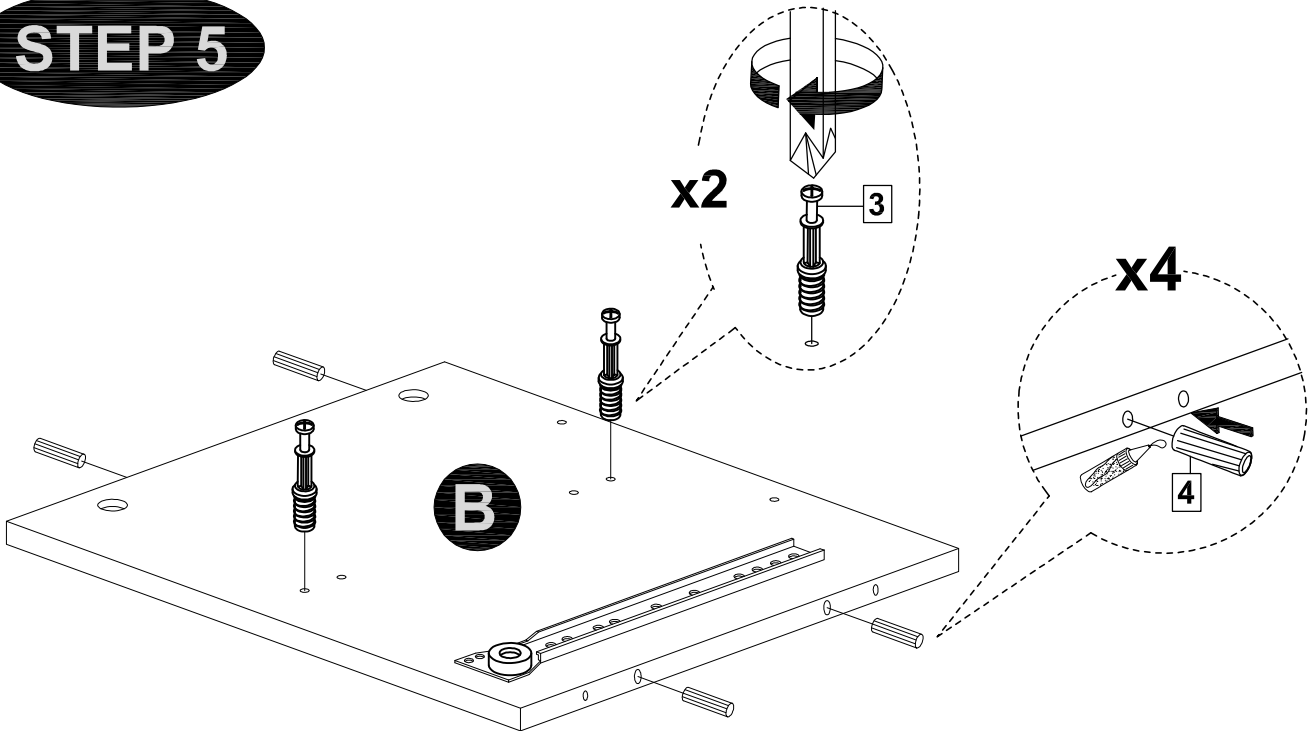
STEP 4



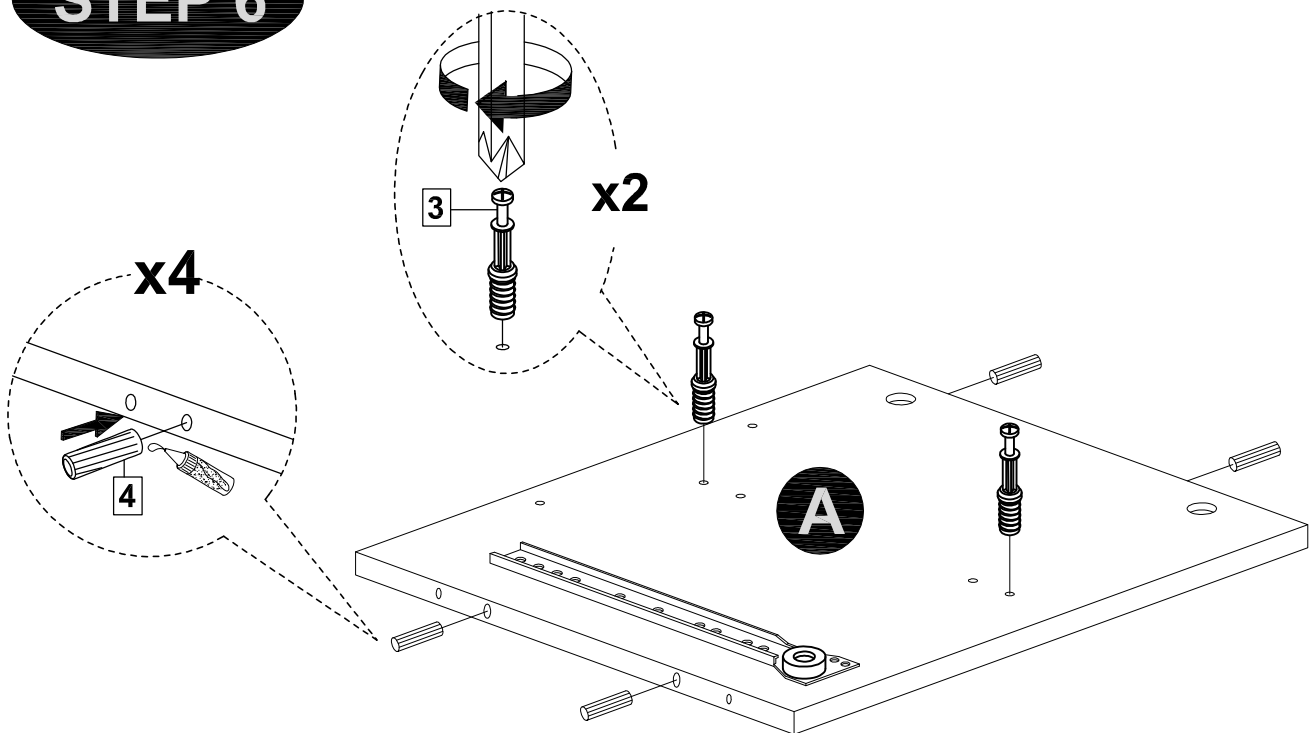
MODEL NAME:

ET 3112-02

STEP 5



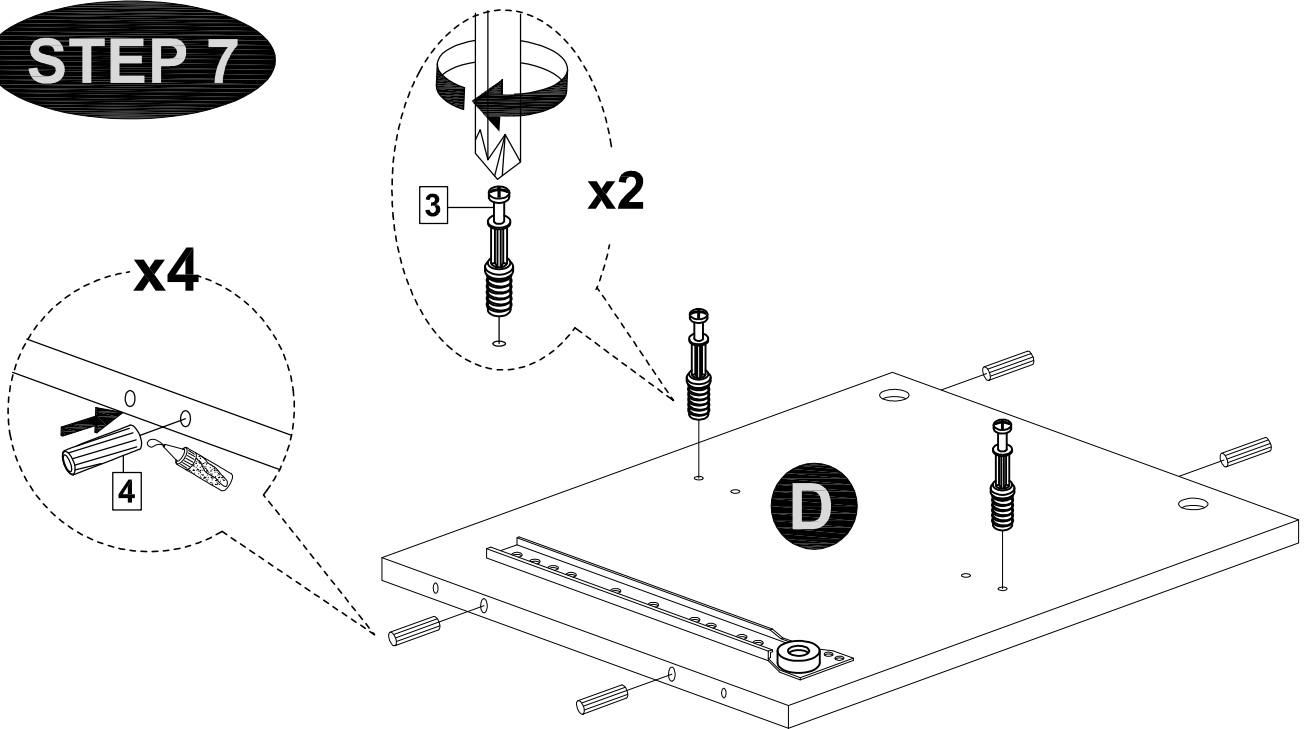
STEP 6



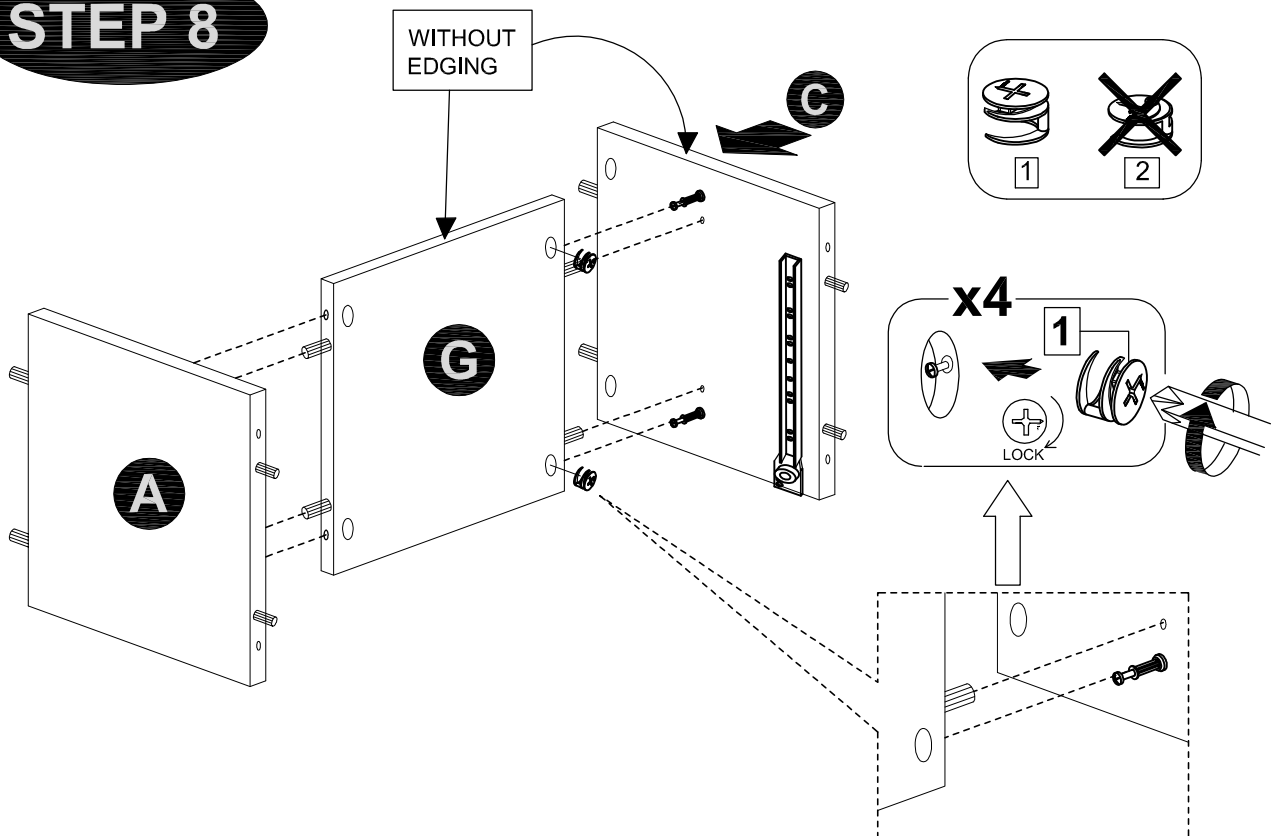
MODEL NAME:

ET 3112-02

STEP 7



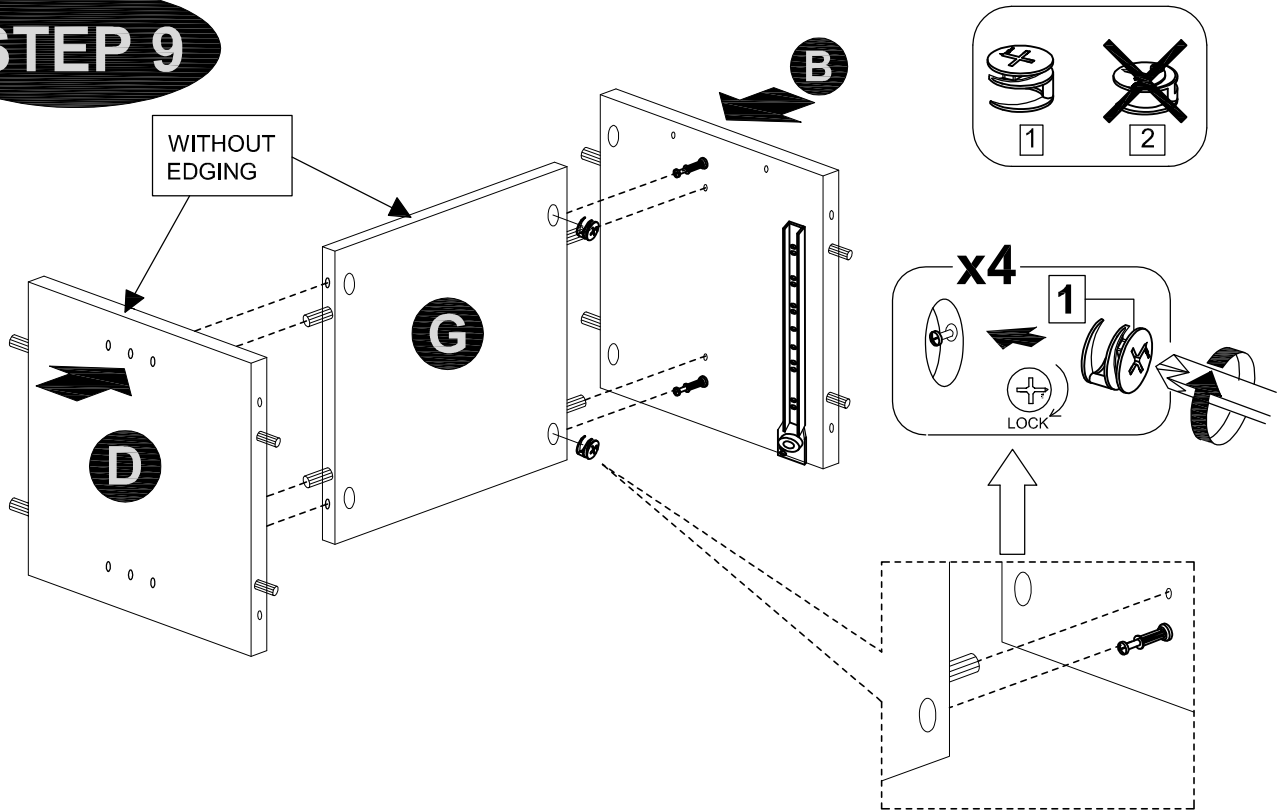
STEP 8



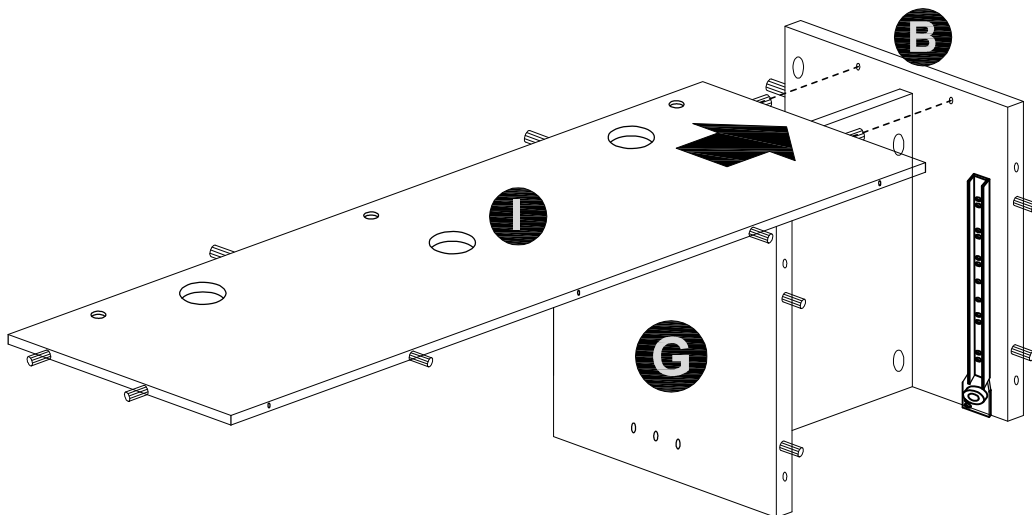
MODEL NAME:

ET 3112-02

STEP 9



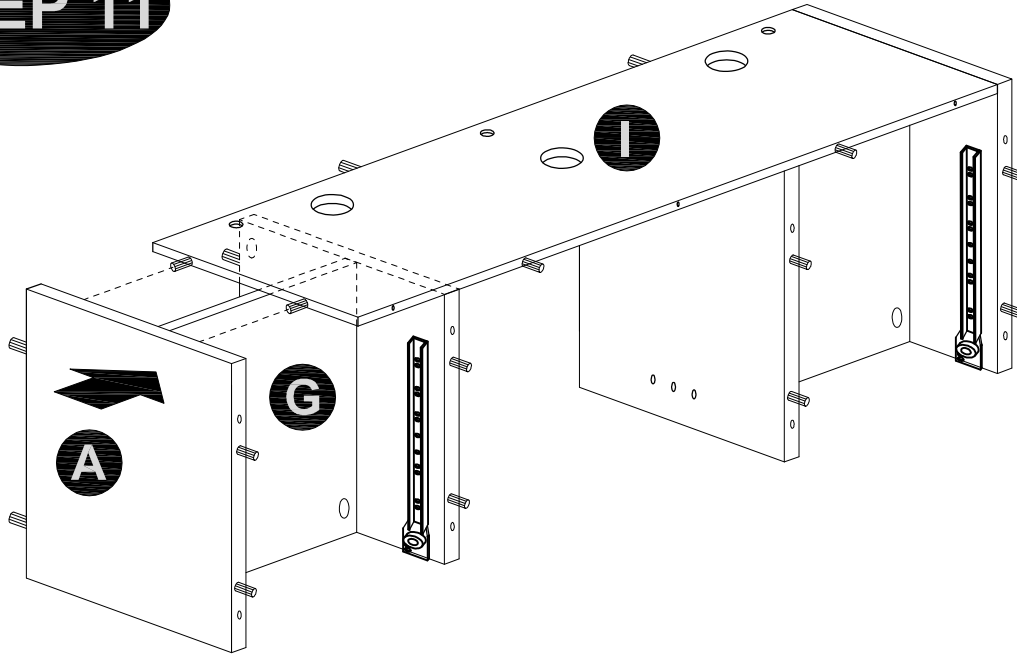
STEP 10



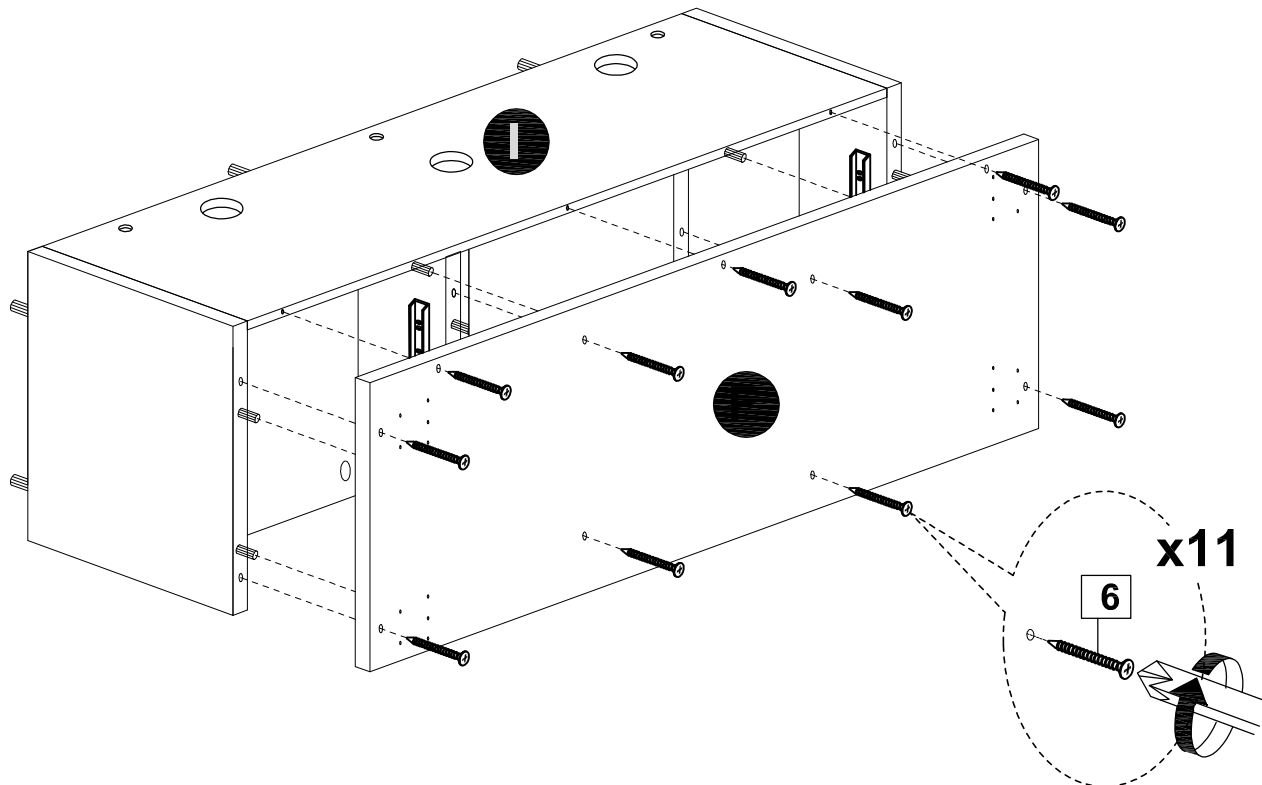
MODEL NAME:

ET 3112-02

STEP 11



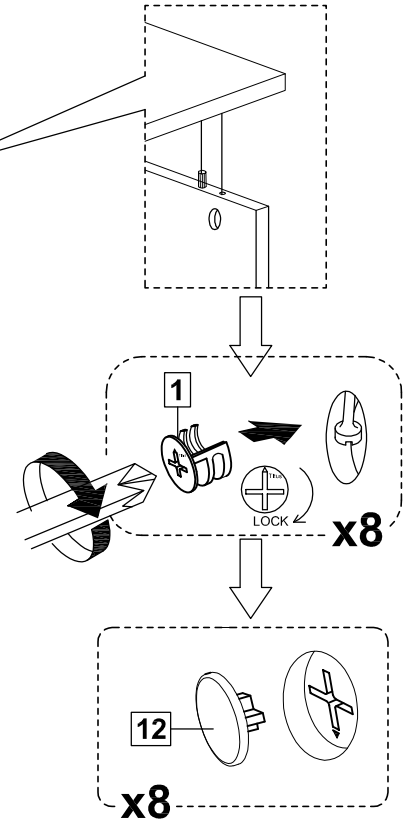
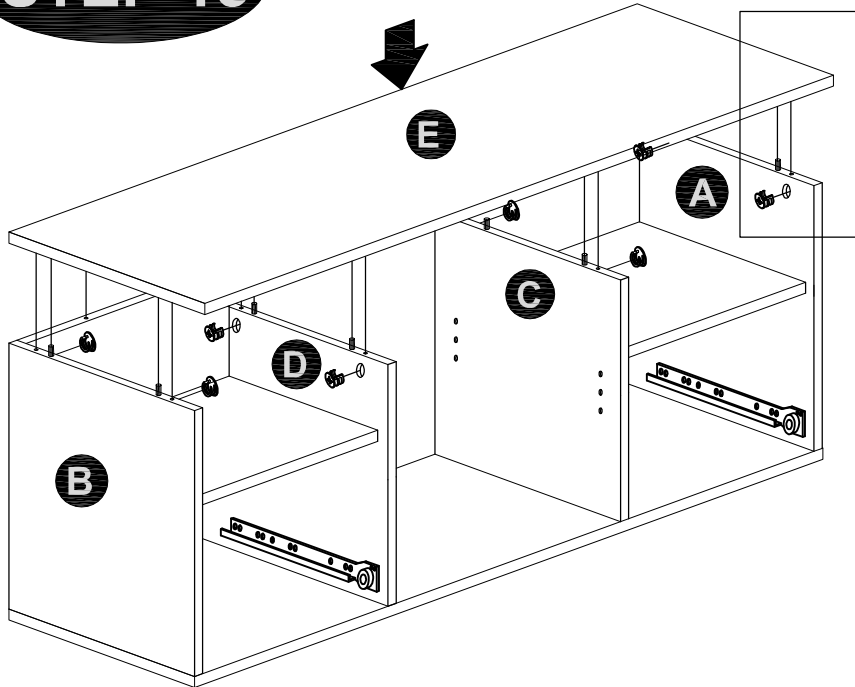
STEP 12



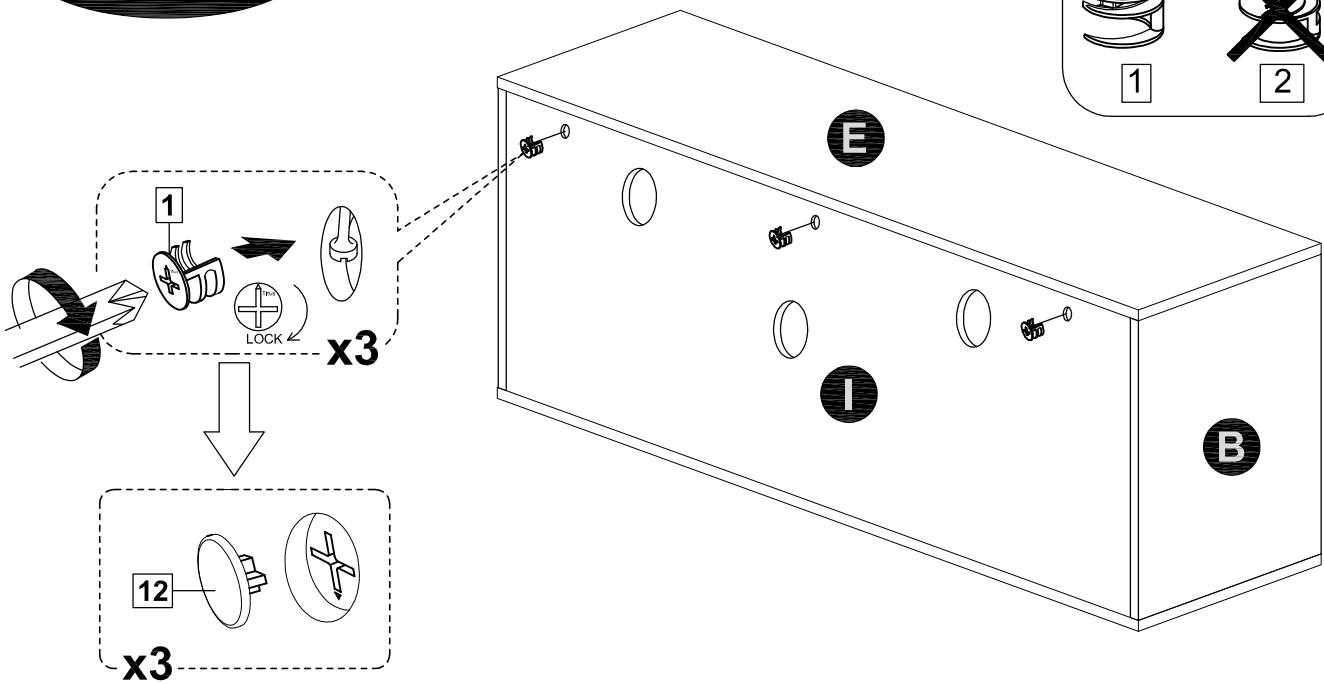
MODEL NAME:

ET 3112-02

STEP 13



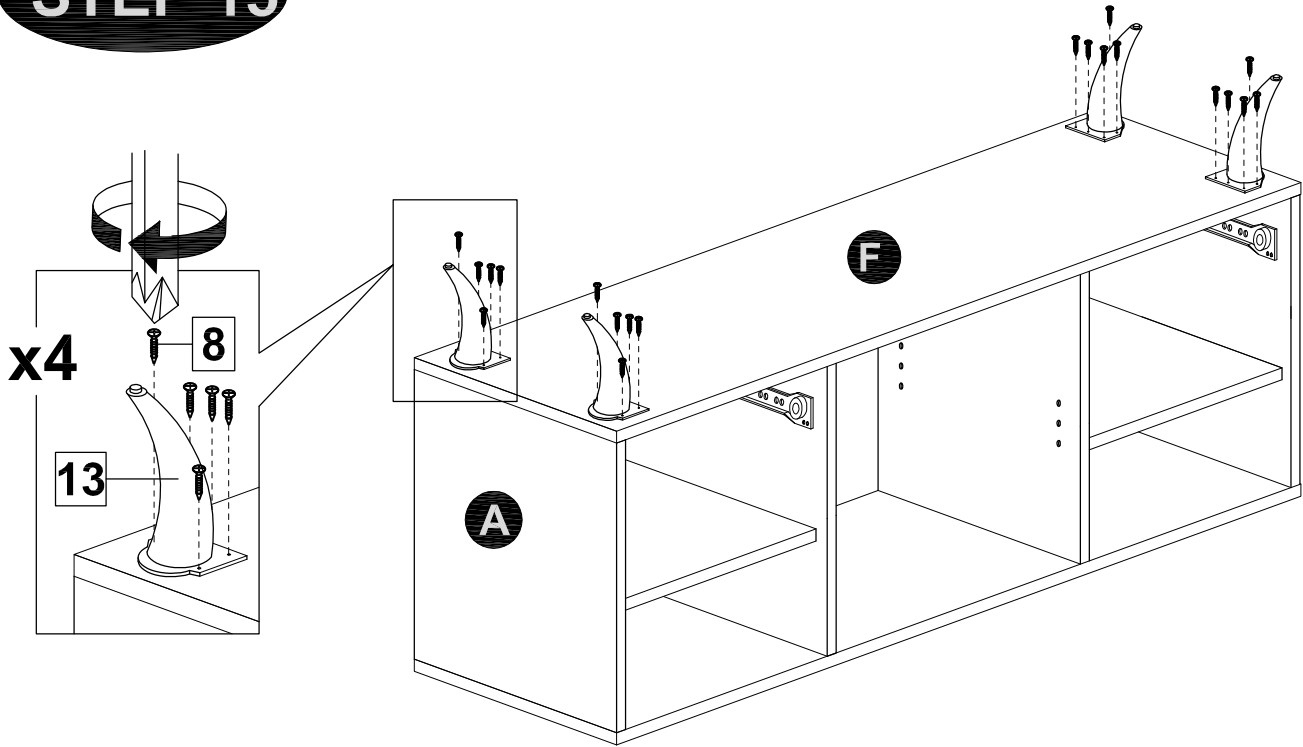
STEP 14



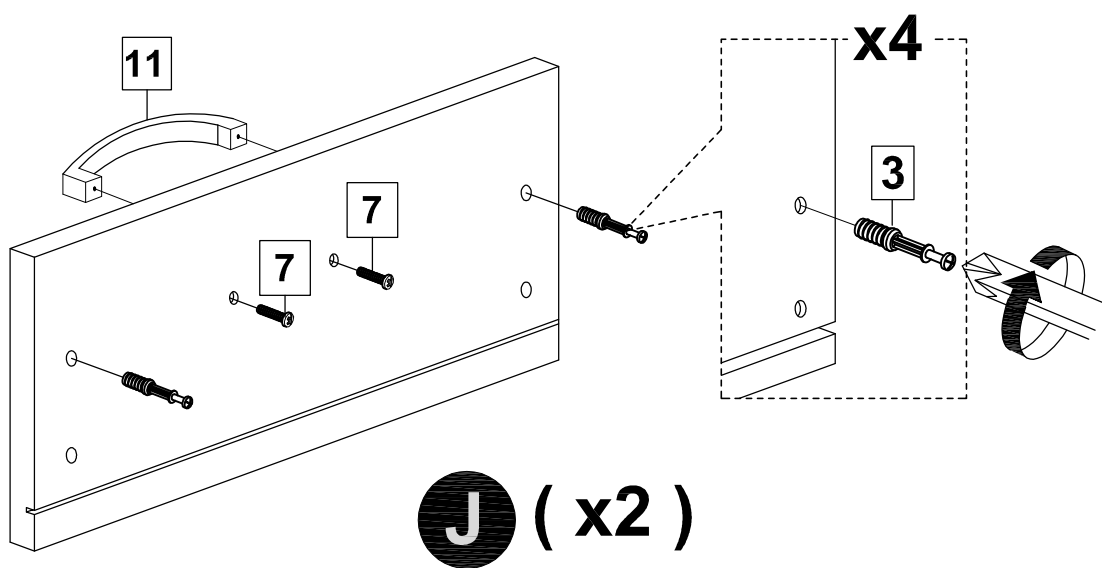
MODEL NAME:

ET 3112-02

STEP 15



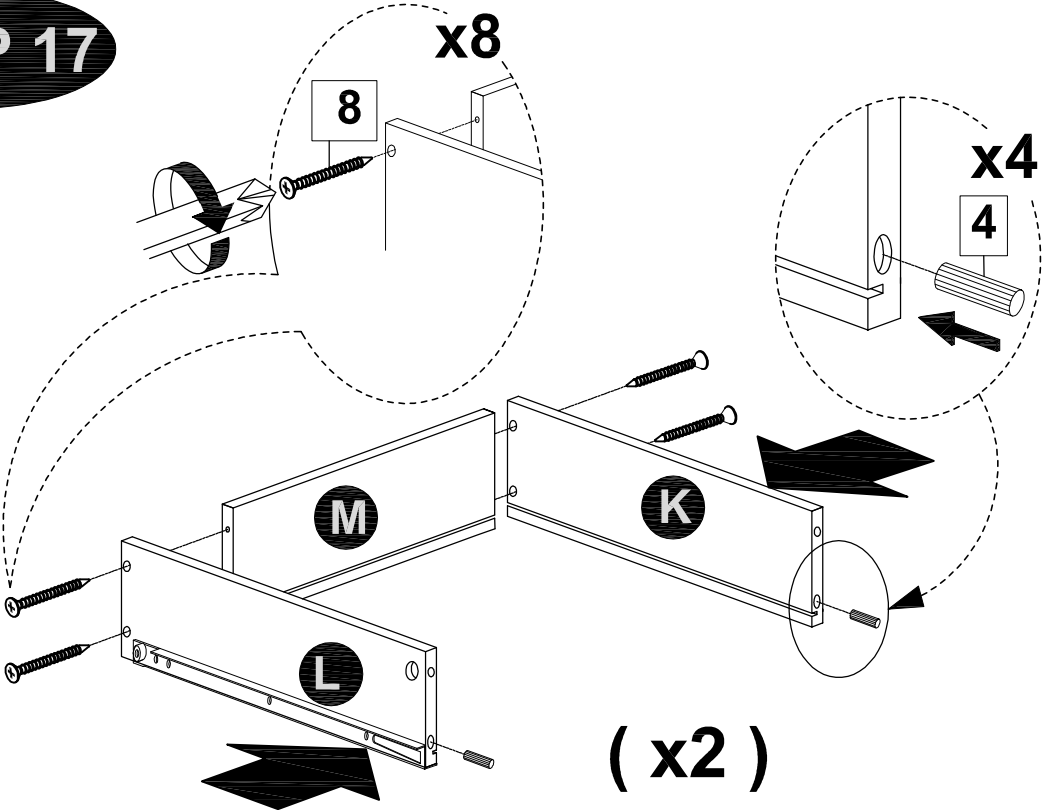
STEP 16



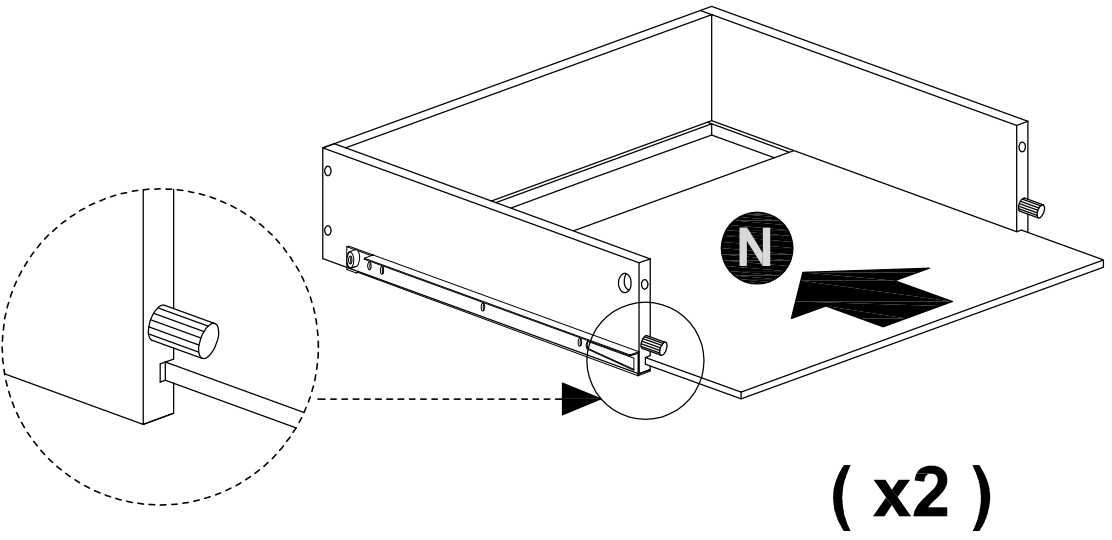
MODEL NAME:

ET 3112-02

STEP 17



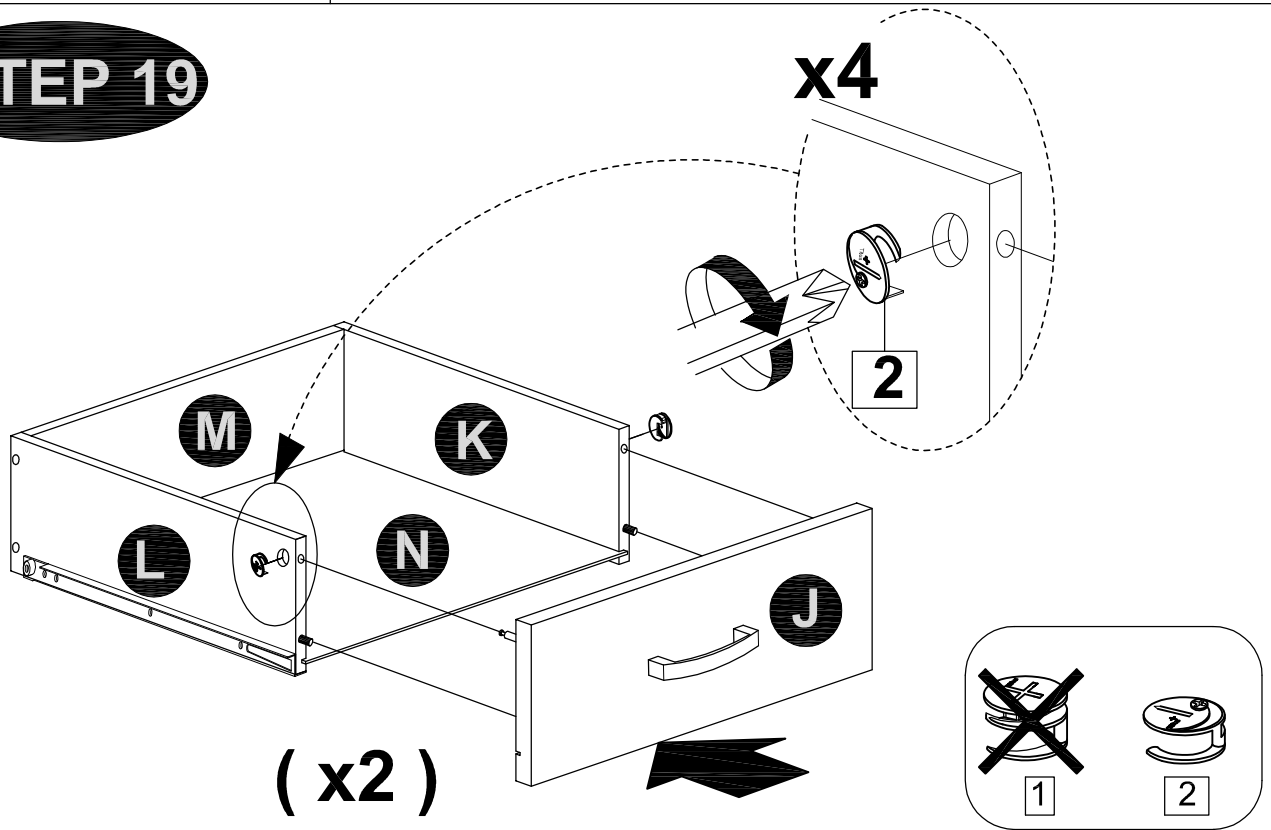
STEP 18



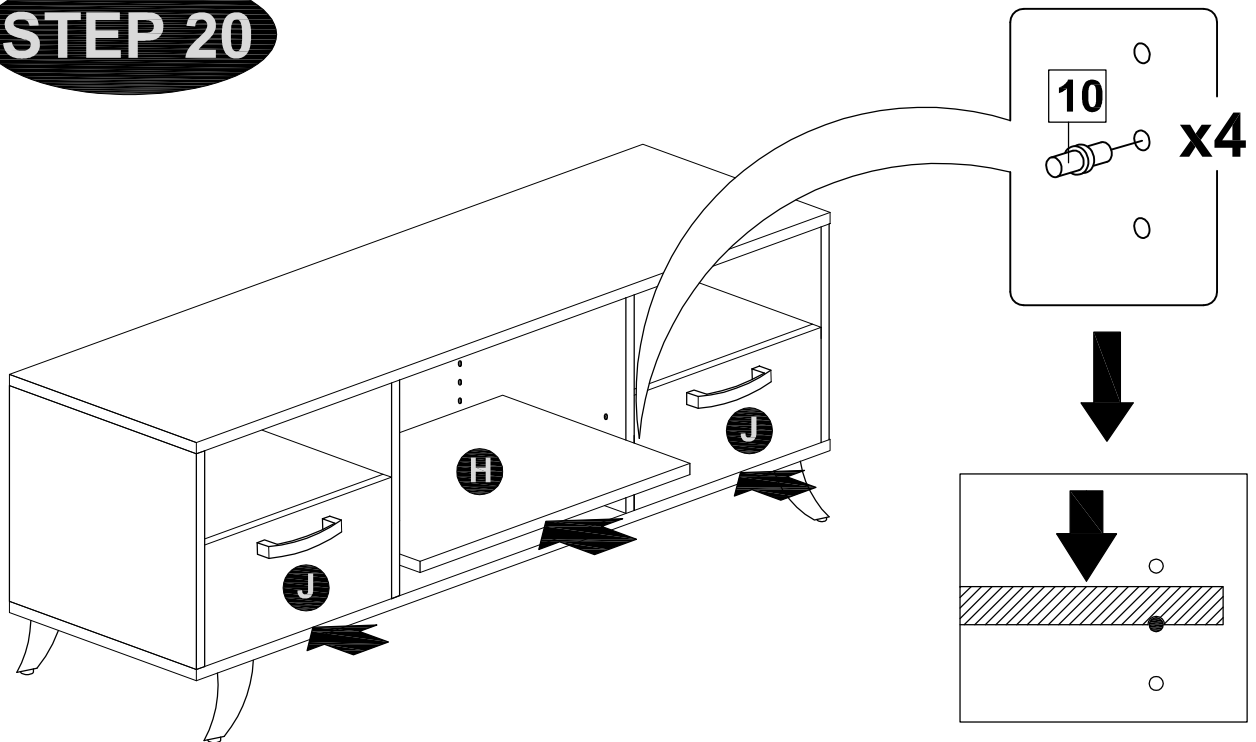
MODEL NAME:

ET 3112-02

STEP 19



STEP 20



MODEL NAME:

ET 3112-02

STEP 21

