

ASSEMBLY INSTRUCTION

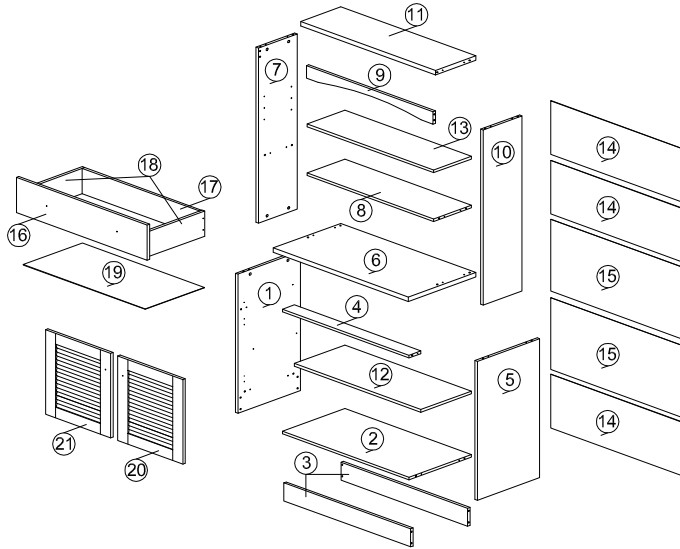
MODEL : DR 883701

DESCRIPTION : KITCHEN CABINET

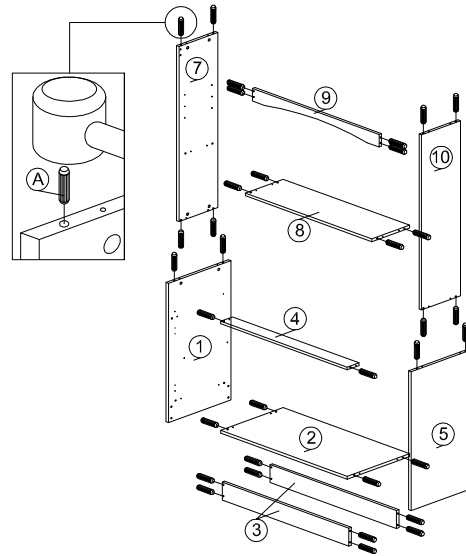
HARDWARE

A WOOD DOWEL 8 X 25 1X34	B CB SCREW M3.5X16MM 1X28	C CB SCREW M4X38MM 1X8	D L KEY 1X1	E METAL SHELF SUPPORT 1X8	F MINIFIX 5654+5646 MINIFIX CAP 22 SETS	G HANDLE 5022 1X4	H HANDLE SCREW M4X19MM 1X2	I HANDLE SCREW M4X35MM 1X2	J HINGES 5/8 4 SETS	K DRAWER SLIDE 14" 1 SET	L NAIL 5/8 1X60	M P/VH PROFILE -750MM 1X4
--	---	--	------------------------------	--	--	---------------------------------------	--	--	--------------------------------------	---	----------------------------------	---

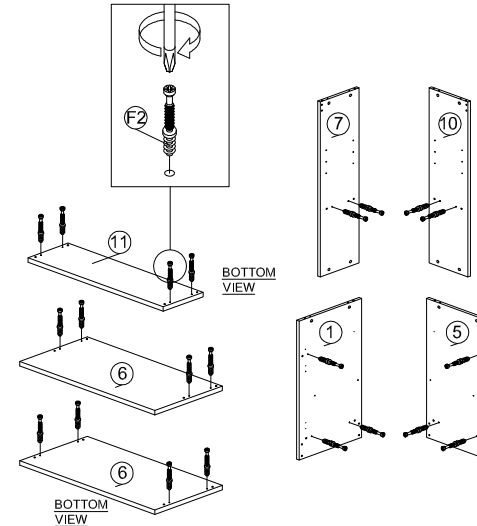
PART LIST



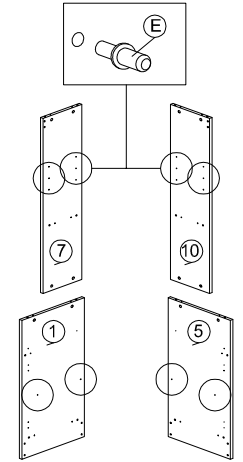
STEP 1



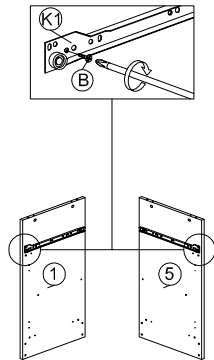
STEP 2



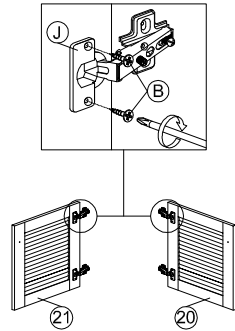
STEP 3



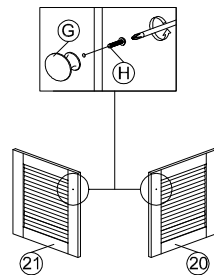
STEP 4



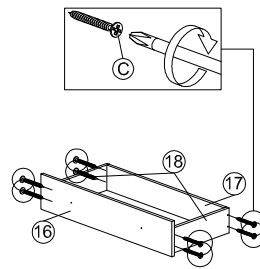
STEP 5



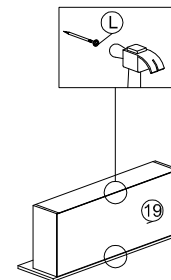
STEP 6



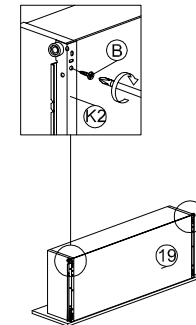
STEP 7



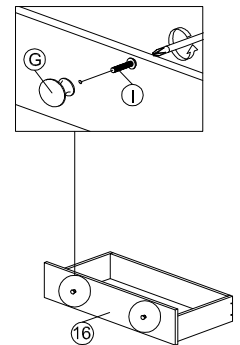
STEP 8



STEP 9

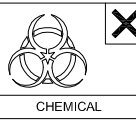


STEP 10

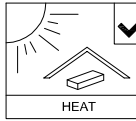




SOFT, DRY CLOTH



CHEMICAL



HEAT



KEEP DRY



HANDLE WITH CARE



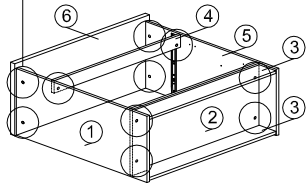
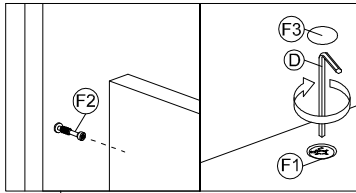
DO NOT USE KNIFE

ASSEMBLY INSTRUCTION

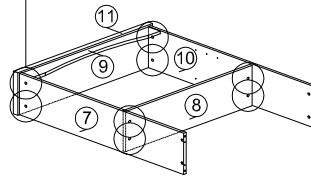
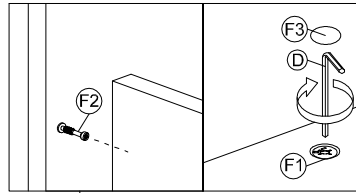
MODEL : DR 883701

DESCRIPTION : KITCHEN CABINET

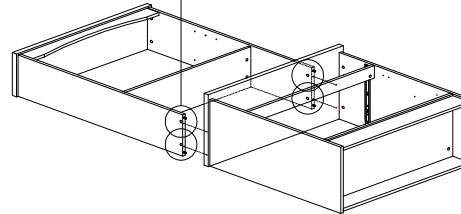
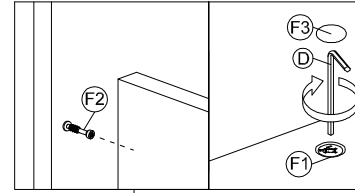
STEP 11



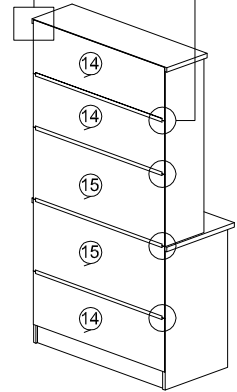
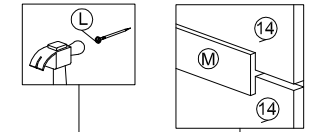
STEP 12



STEP 13

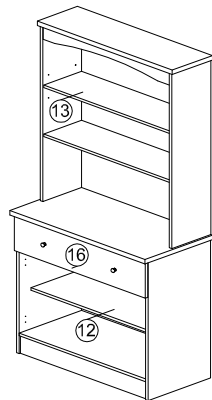


STEP 14

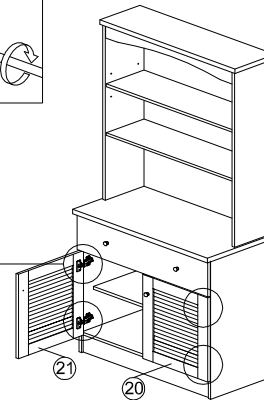
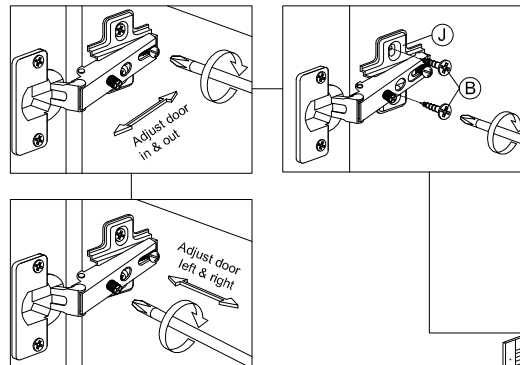


BACK VIEW

STEP 15



STEP 16



COMPLETED

