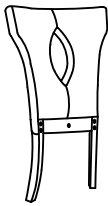


DO-6087-1

Ax1



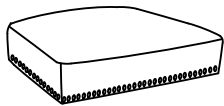
Back

Ex8



Screw

Bx1



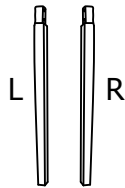
Seat

Fx9



Plain cushion

Cx2



Forelegs

Gx9



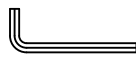
Shells pad

Dx1



Screw

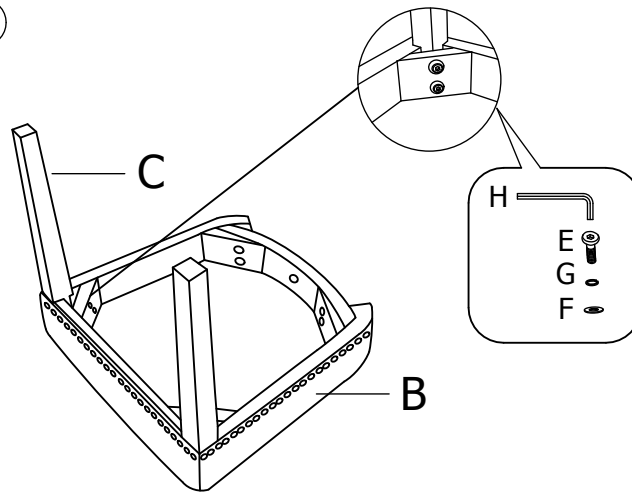
Hx1



M6

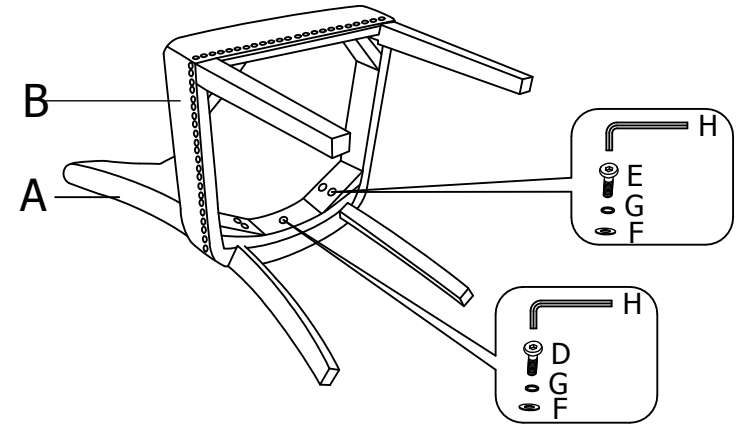
Allen key

①



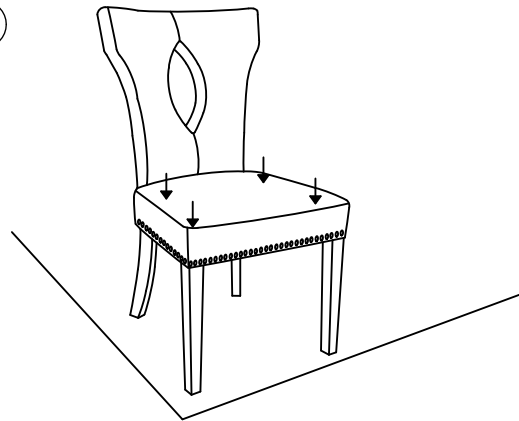
Put the screws in the holes, tight the screws, but not too tight, 90% is ok.

②



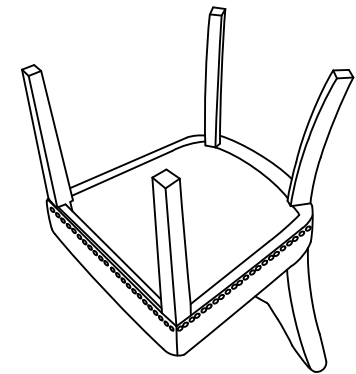
Put the screws in the holes, tight the screws, but not too tight, 90% is ok.

③



Then adjust balance of this chair, tight all the screws to 100%.

④



In the end , stick the non-woven cloth underneath the seat

WARNING:

DO NOT STAND ON THE CHAIR, DO NOT USE THIS CHAIR AS A STEP LADDER.

USE THIS PRODUCT ONLY FOR SEATING ONE PERSON AT A TIME.

DO NOT USE THIS CHAIR UNLESS ALL BOLTS, SCREWS AND KNOBS ARE FIRMLY SECURED.

PLEASE DO NOT USE KNIFE TO OPEN ANY PARTS OF THE BOX OR CHAIR.