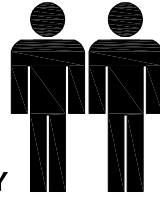


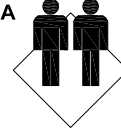
MODEL NAME:

DC 6311-00

2.0hr



FLOOR AREA
2.0M X 1.5M

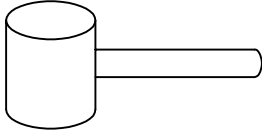


APPROXIMATE ASSEMBLY TIME

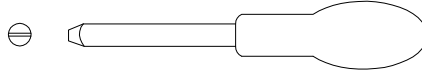
2 PERSON OF ASSEMBLY

REQUIRED ASSEMBLY SPACE

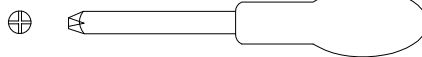
REQUIRED ASSEMBLY TOOLS



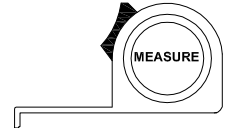
SOFT RUBBER HAMMER



SLOTTED SCREWDRIVER

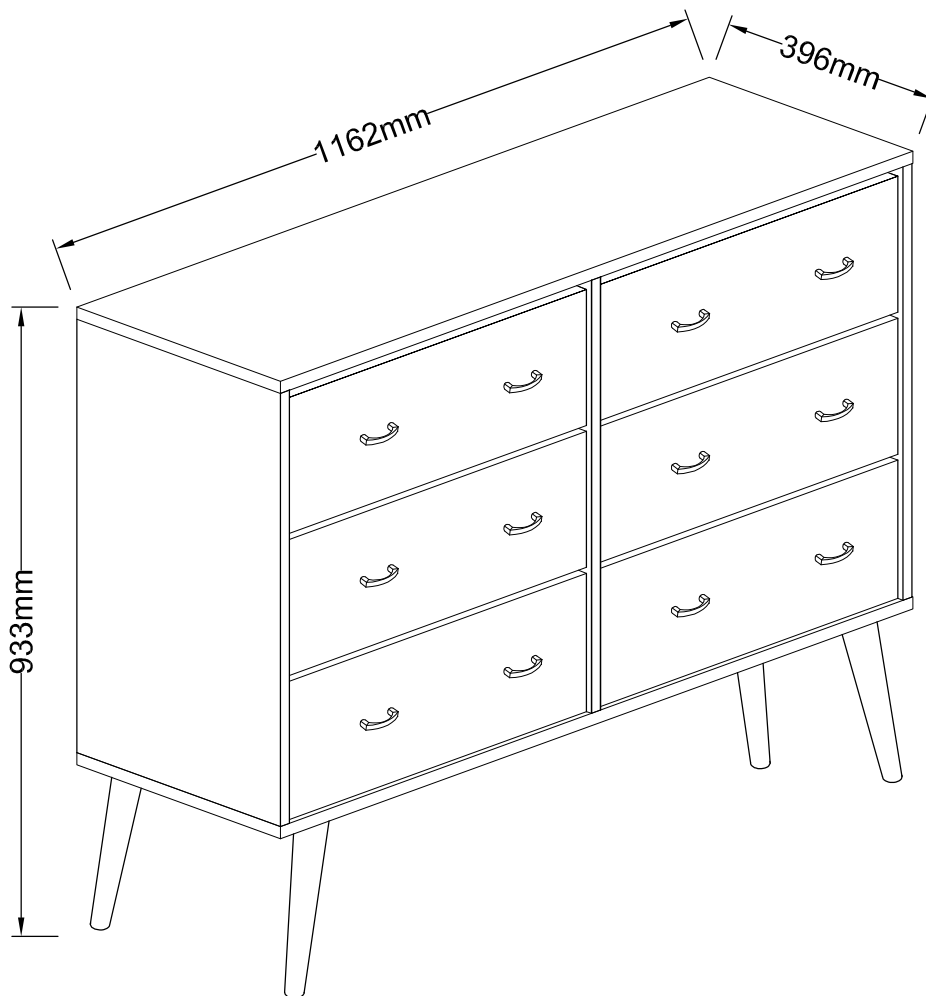


POZI SCREWDRIVER



MEASURING TAPE

ASSEMBLED DIMENSIONS



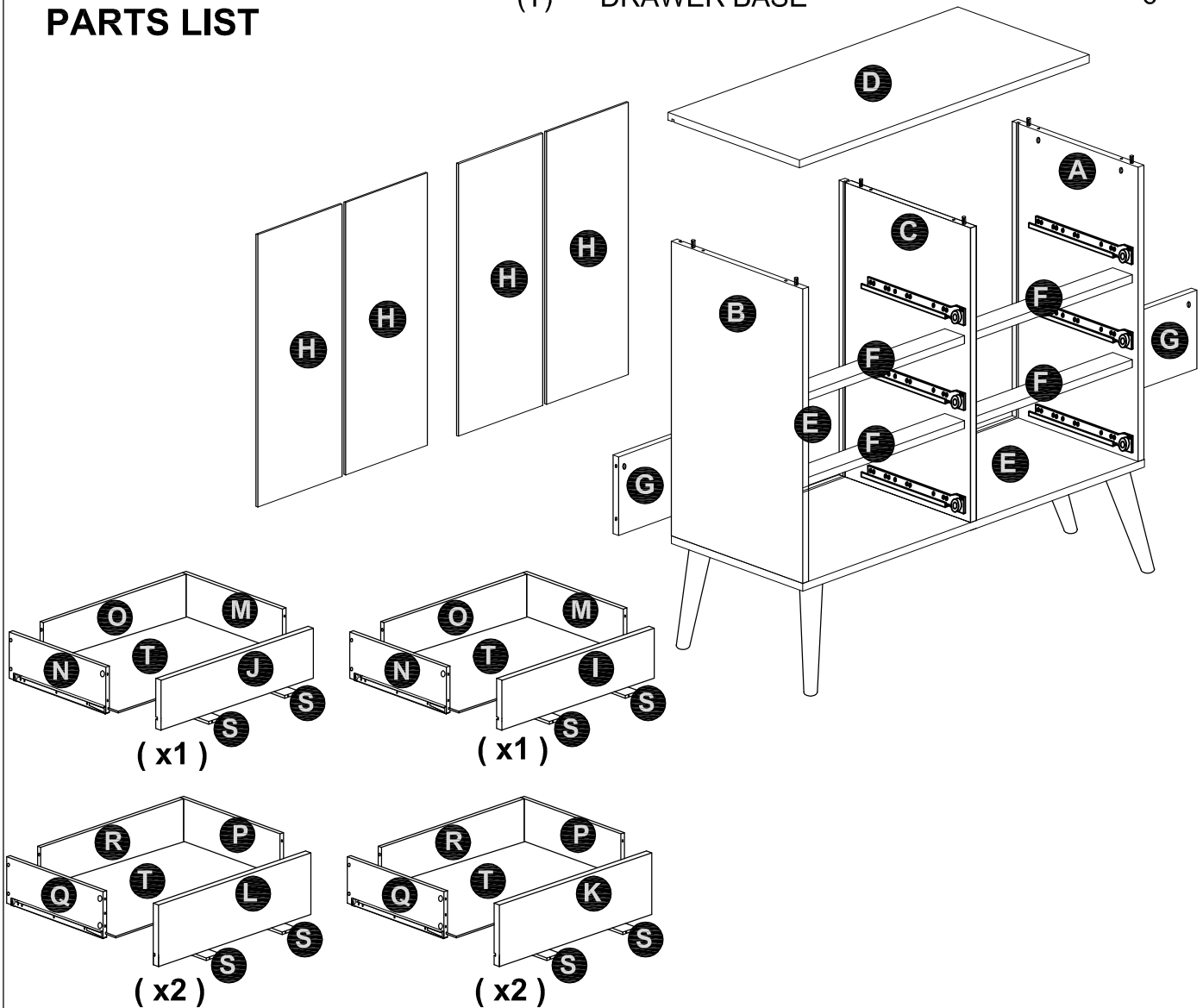
NOTE : THE MAXIMUM WEIGHT THIS PRODUCT CAN HOLD UP TO 25 KGS.

MODEL NAME:

DC 6311-00

NO.	PART LIST	QTY	NO.	PART LIST	QTY
(A)	RIGHT SIDE PANEL	1	(I)	DRAWER FRONT RIGHT - SMALL	1
(B)	LEFT SIDE PANEL	1	(J)	DRAWER FRONT LEFT - SMALL	1
(C)	CENTRE PANEL	1	(K)	DRAWER FRONT RIGHT - LARGE	2
(D)	TOP PANEL	1	(L)	DRAWER FRONT LEFT - LARGE	2
(E)	BOTTOM PANEL	1	(M)	DRAWER RIGHT PANEL - SMALL	2
(F)	FRONT SUPPORT	4	(N)	DRAWER LEFT PANEL - SMALL	2
(G)	BACK SUPPORT	2	(O)	DRAWER BACK PANEL-SMALL	2
(H)	BACK PANEL	4	(P)	DRAWER RIGHT PANEL - LARGE	4
			(Q)	DRAWER LEFT PANEL - LARGE	4
			(R)	DRAWER BACK PANEL-LARGE	4
			(S)	DRAWER BOTTOM SUPPORT	12
			(T)	DRAWER BASE	6

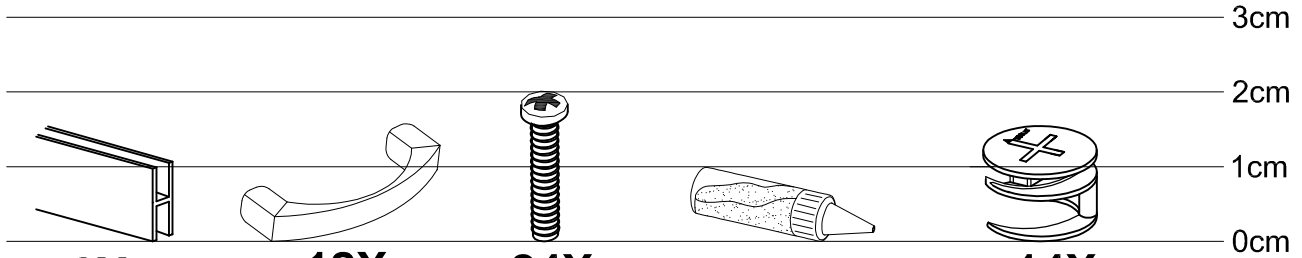
PARTS LIST



MODEL NAME:

DC 6311-00

HARDWARE LIST



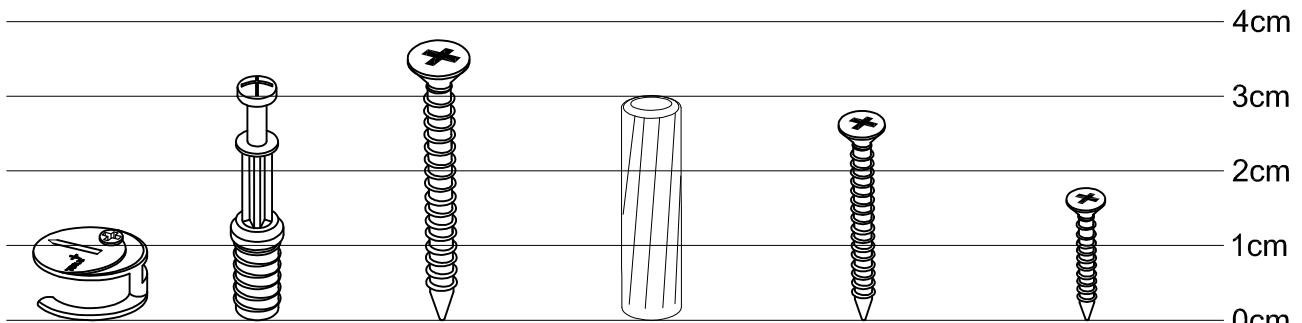
2X
1
PVC H

12X
2
HANDLE

24X
M4 x 19mm
3
PAN HEAD
SCREW

3X
4
GLUE 10CC

14X
Dia.15mm
5
LARGE
CAMLOCK



24X
Dia.15mm
6
SMALL
CAM-LOCK

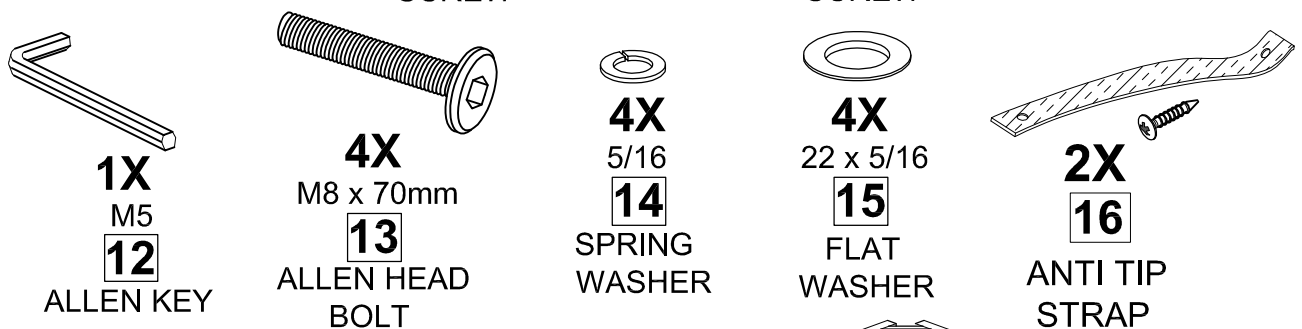
38X
M6.5
7
QUICKFIT

12X
M8 x 38mm
8
FLAT HEAD
SCREW

60X
Dia.6 x 30mm
9
WOOD
DOWEL

56X
M3.5 x 25mm
10
FLAT HEAD
SCREW

10X
M4 x 30mm
11
FLAT HEAD
SCREW



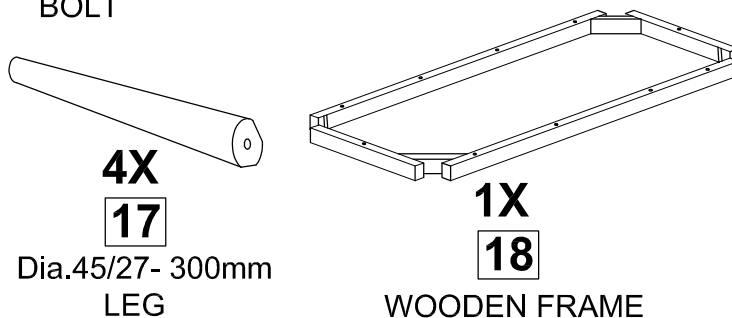
1X
M5
12
ALLEN KEY

4X
M8 x 70mm
13
ALLEN HEAD
BOLT

4X
5/16
14
SPRING
WASHER

4X
22 x 5/16
15
FLAT
WASHER

2X
16
ANTI TIP
STRAP



4X
17
Dia.45/27- 300mm
LEG

1X
18
WOODEN FRAME

MODEL NAME:

DC 6311-00

Top Tips before you start!

1. Please check that all parts are present before you start the assembly of your furniture.
2. For ease and speed of assembly, we recommend that before you commence each step of the assembly, that you identify all the parts required for that step.
3. For larger items, please ensure that you have sufficient space and people (as indicated on page 1) to assemble your product safely
4. We recommend that, where possible, all items are assembled near to the area in which they will be placed in use, to avoid moving the product unnecessarily once assembled.
5. For the protection of your furniture, particularly items of high gloss finish, we recommend that the product is placed on a protected surface during assembly to prevent any damage.
6. Caution - Electric / Battery operated screw driver NOT RECOMMENDED.
7. During assembly please take care not to over-tighten any fittings, as this may damage the product.
8. Always place the product on a flat, steady and stable surface.
9. Do not sit or stand on the product.
Do not use the product as a stepladder.
10. This product is intended for indoor, household use only as it is non industrial product.
11. This product is constructed from re-inforced hollow board. Excessive pressure cause irreparable damage. Please do not kneel on any part of this product during assembly.

Care and Maintenance of your Furniture

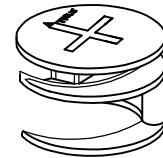
- Please periodically check all fittings and re-tighten as necessary.
- To clean your item, please use a damp cloth and wipe clean.
- Never allow any kind of liquid to remain on your furniture.
- Please do not place hot items (e.g. hot drinks) directly on to the wood surface.
- Please do not drag and pull your furniture.

MODEL NAME:

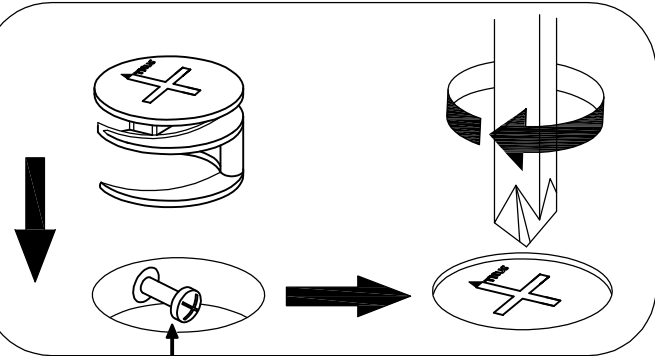
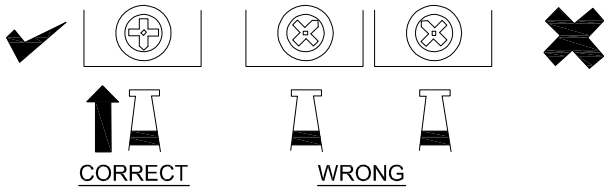
DC 6311-00

SPECIAL TIPS FOR FITTING CAM-LOCKS AND QUICKFIT

LARGE CAM-LOCK

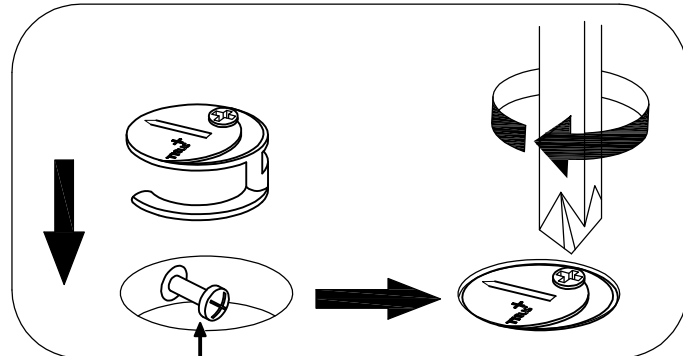


WHEN FITTING CAMLOCK
ENSURE STARTING POSITION IS CORRECT
BEFORE YOU INSERT CONNECTING QUICKFIT
TURN CLOCKWISE UNTIL SECURE



Quickfit head needs to be in centre

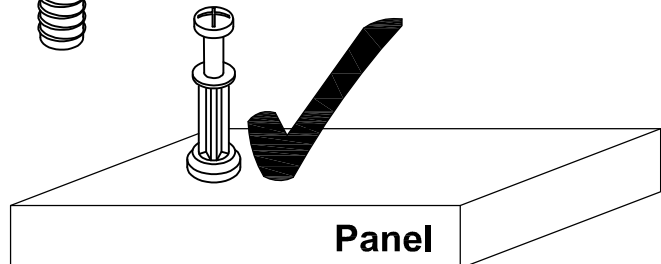
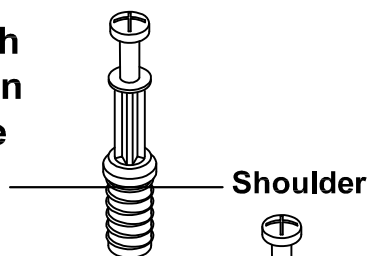
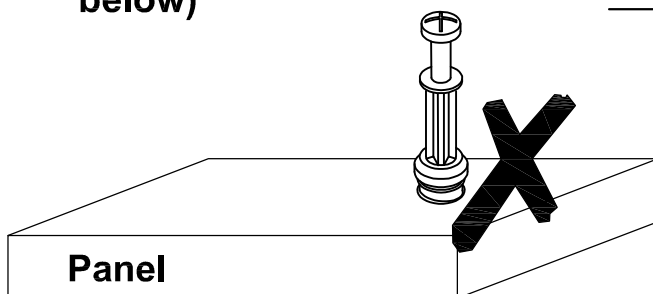
SMALL CAM-LOCK



Quickfit head needs to be in centre

QUICKFIT

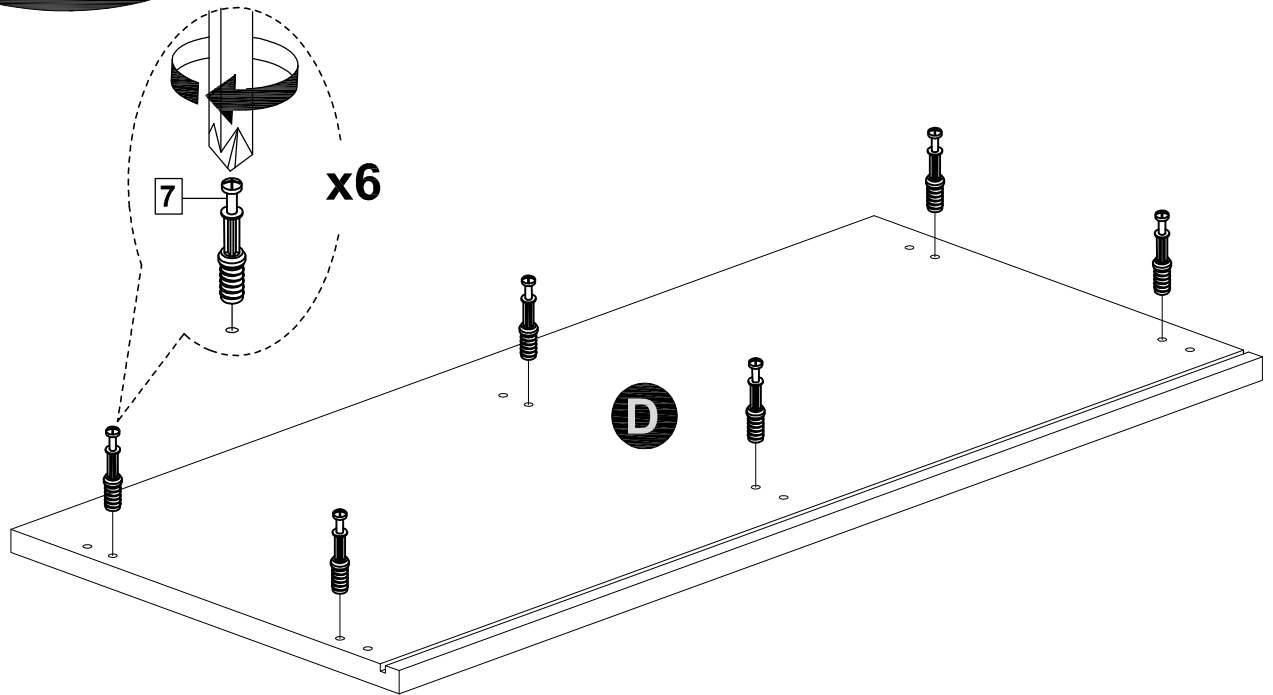
Tighten until shoulder is flush with panel. Do not overtighten or undertighten (see example below)



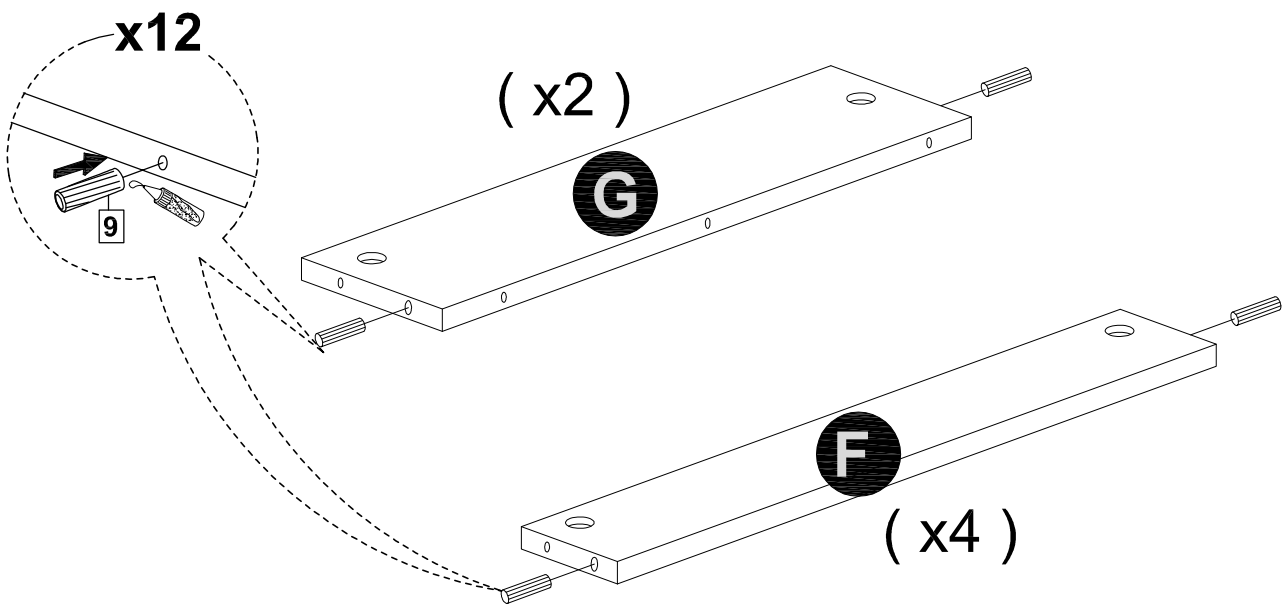
MODEL NAME:

DC 6311-00

STEP 1



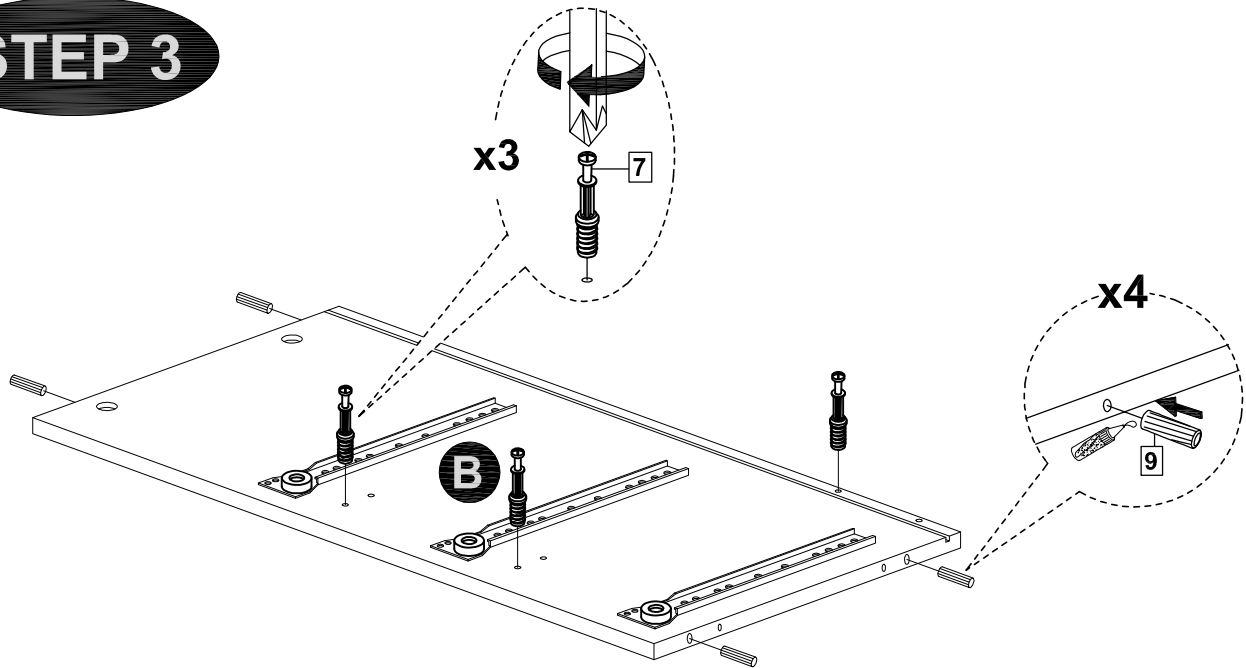
STEP 2



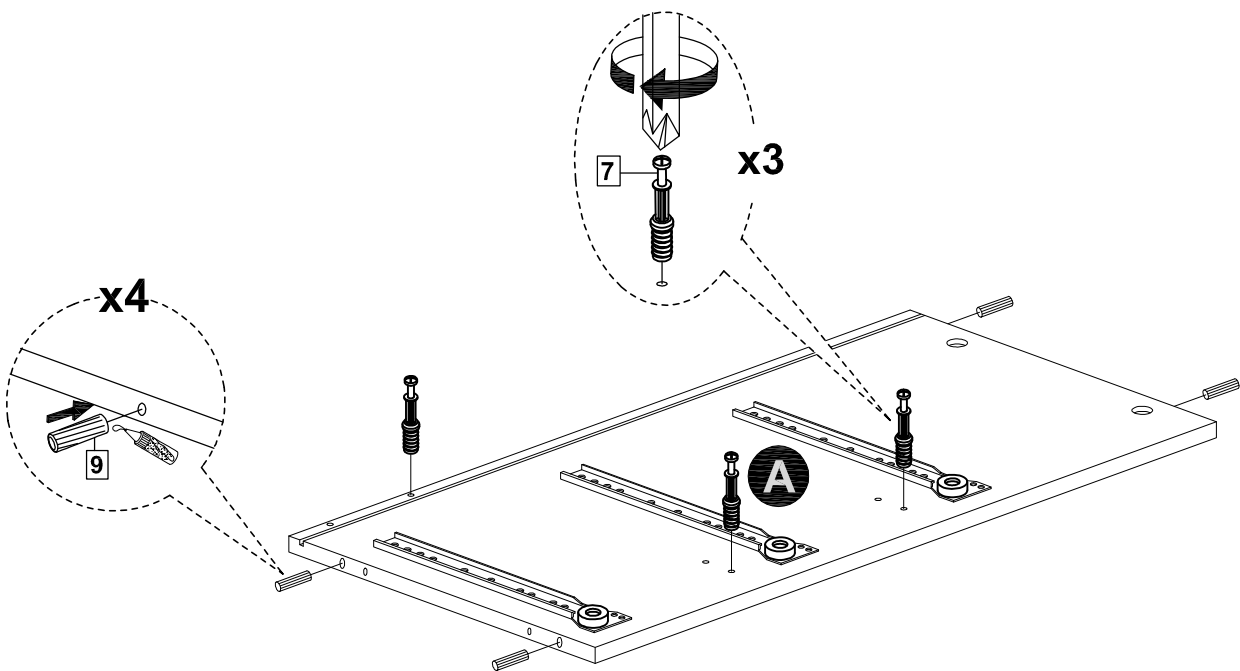
MODEL NAME:

DC 6311-00

STEP 3



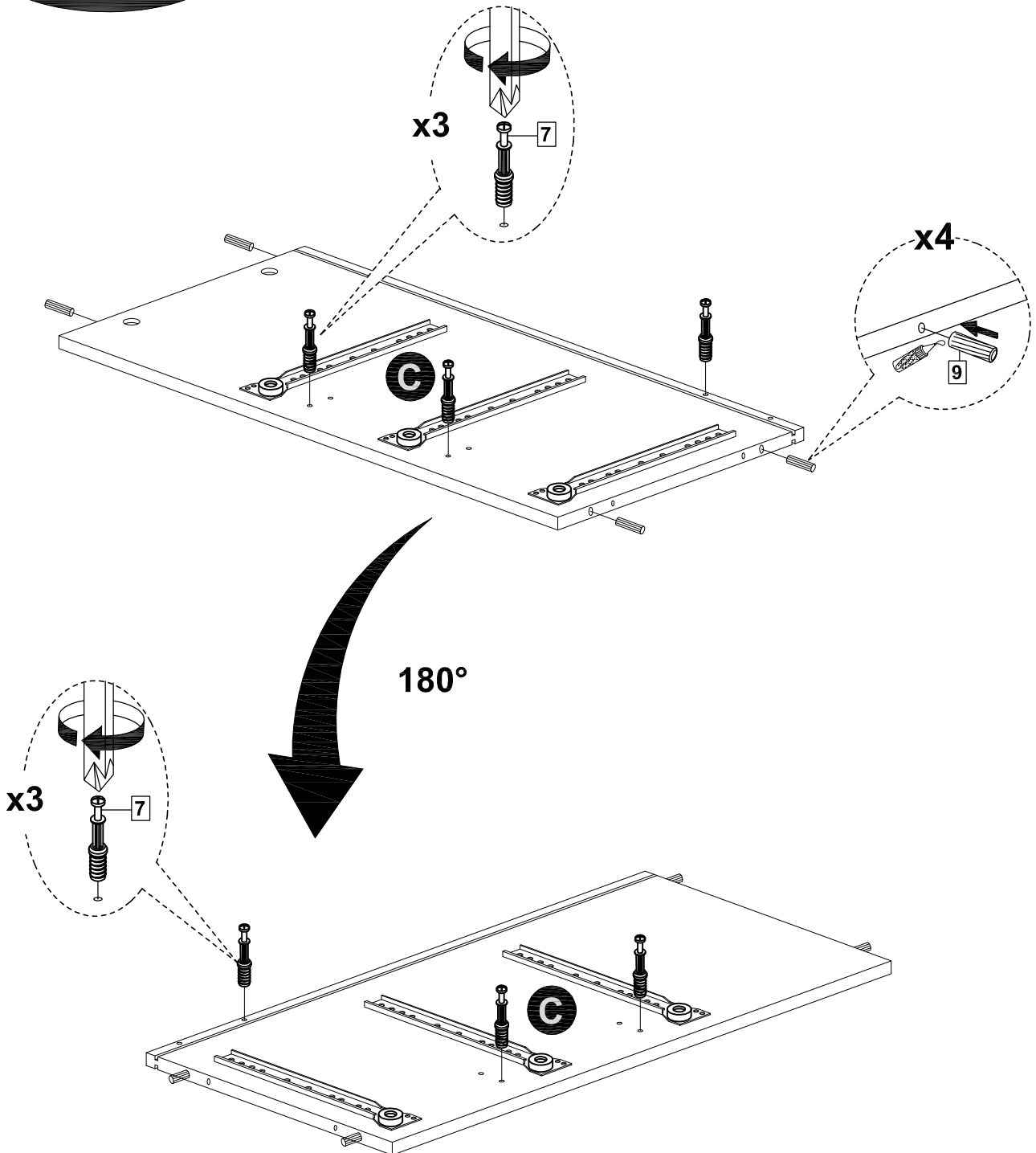
STEP 4



MODEL NAME:

DC 6311-00

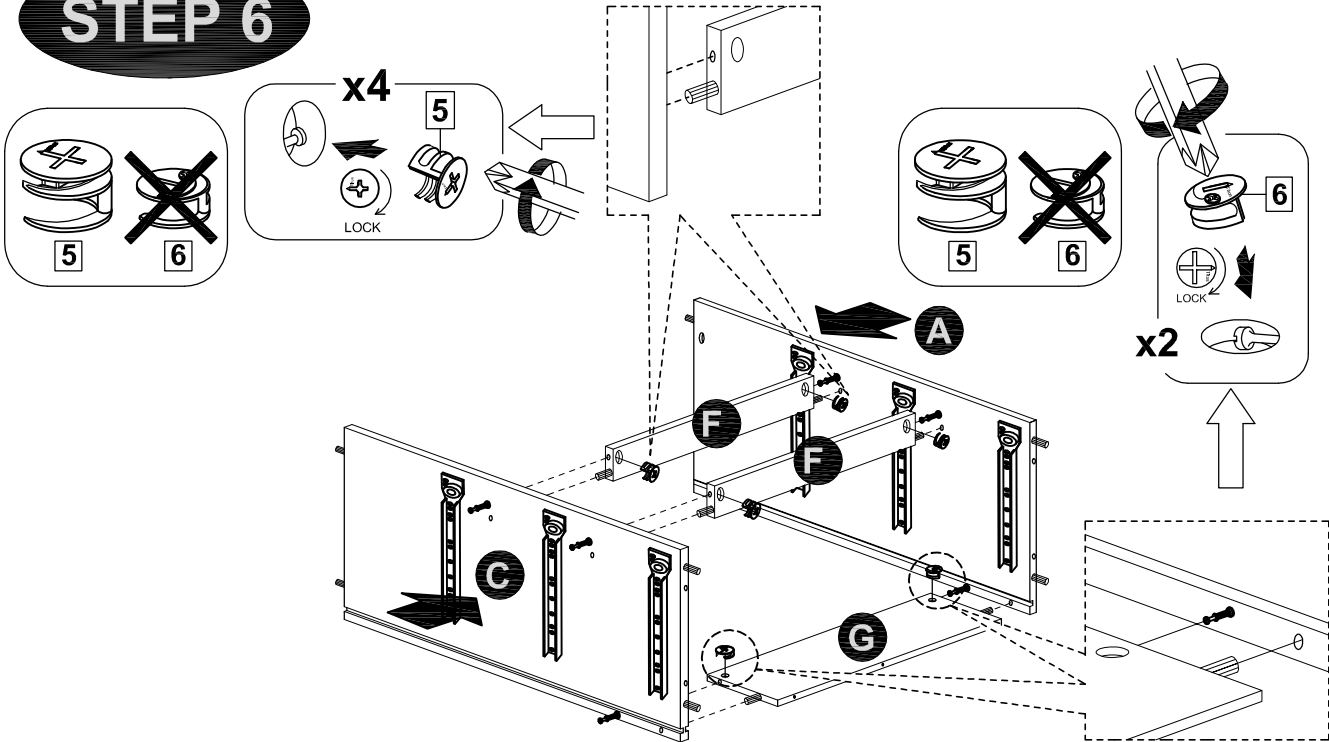
STEP 5



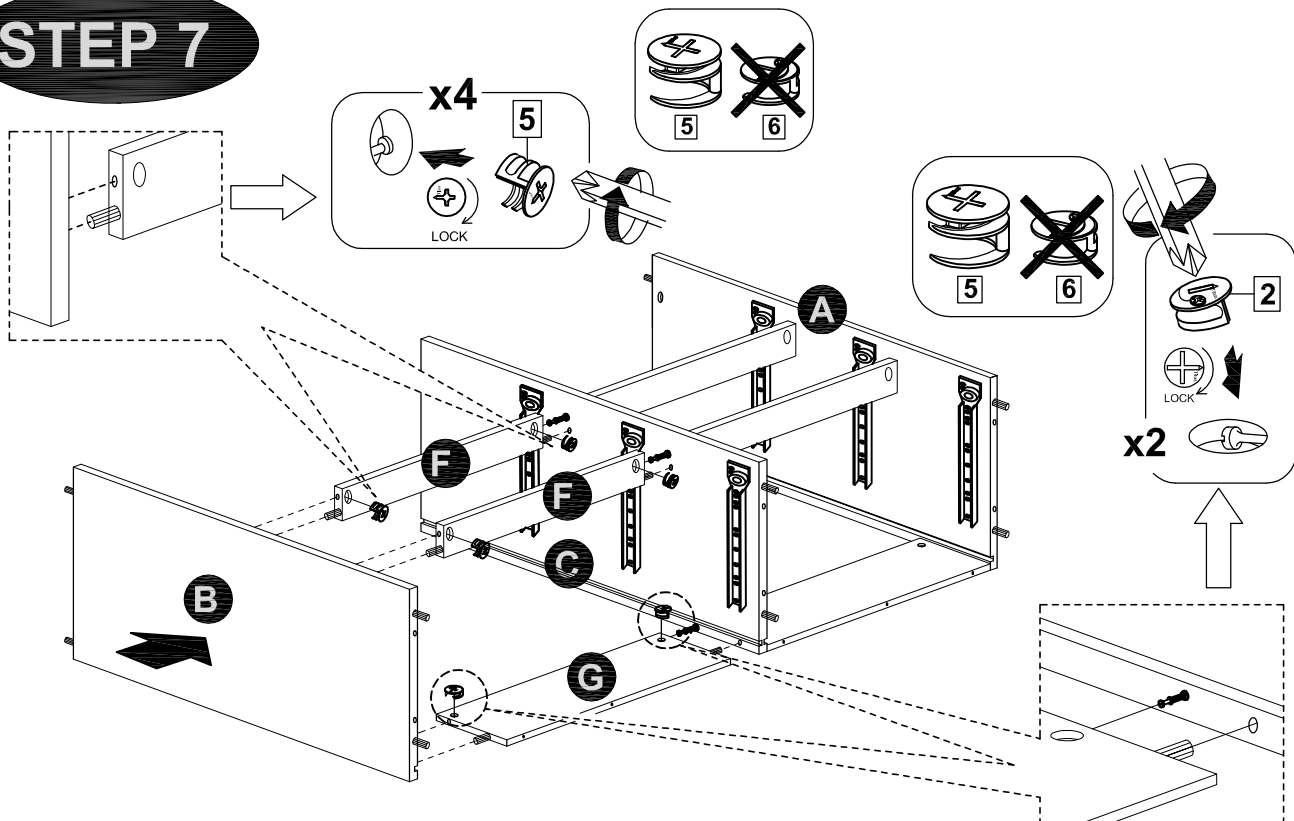
MODEL NAME:

DC 6311-00

STEP 6



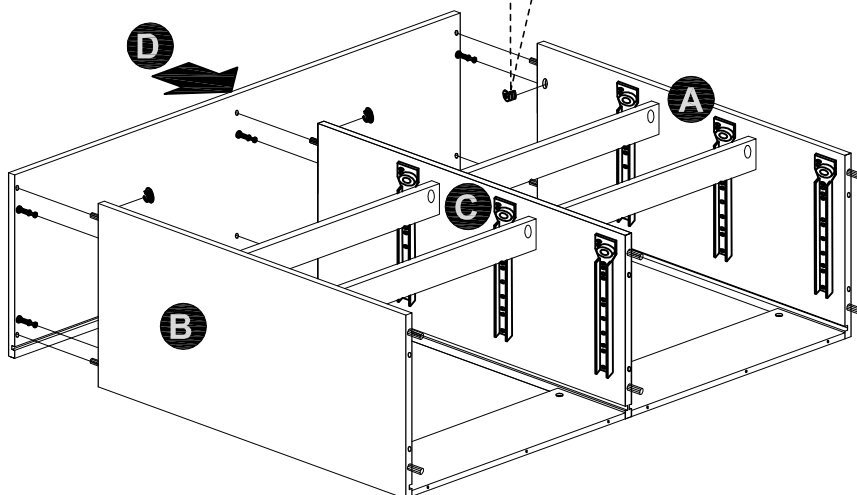
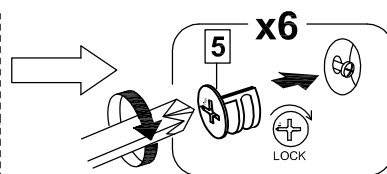
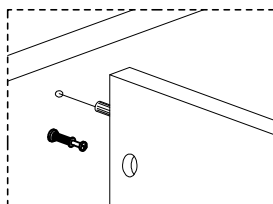
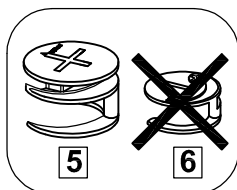
STEP 7



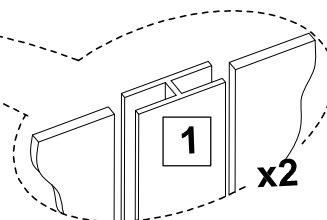
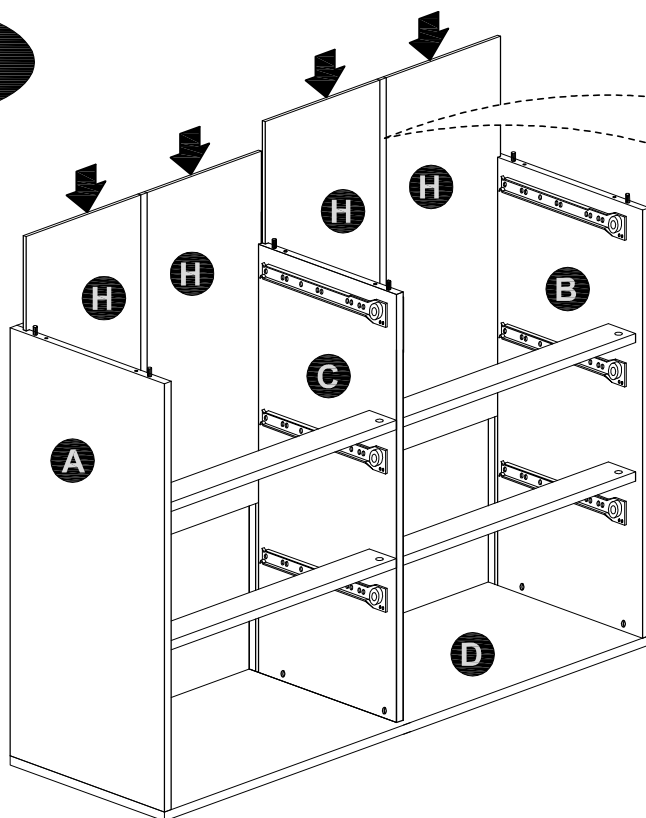
MODEL NAME:

DC 6311-00

STEP 8



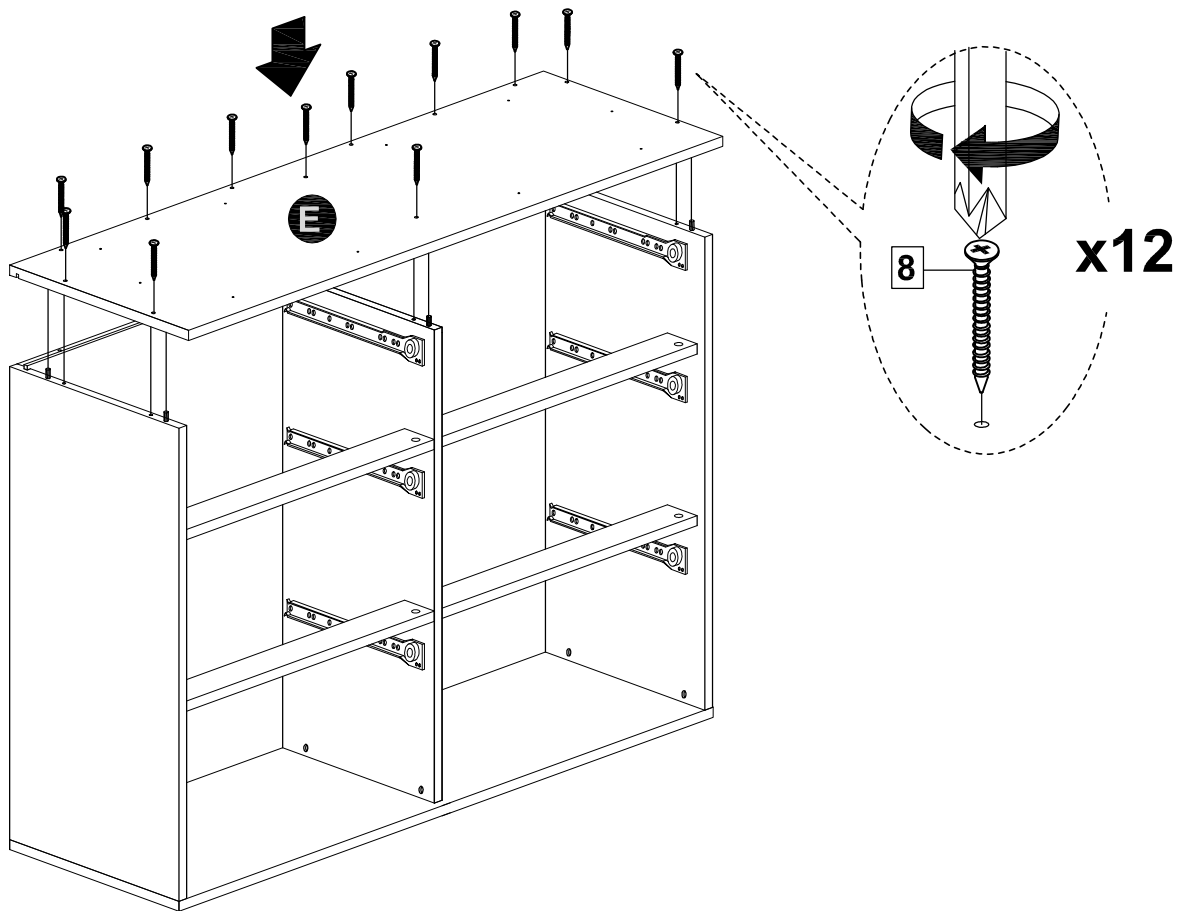
STEP 9



MODEL NAME:

DC 6311-00

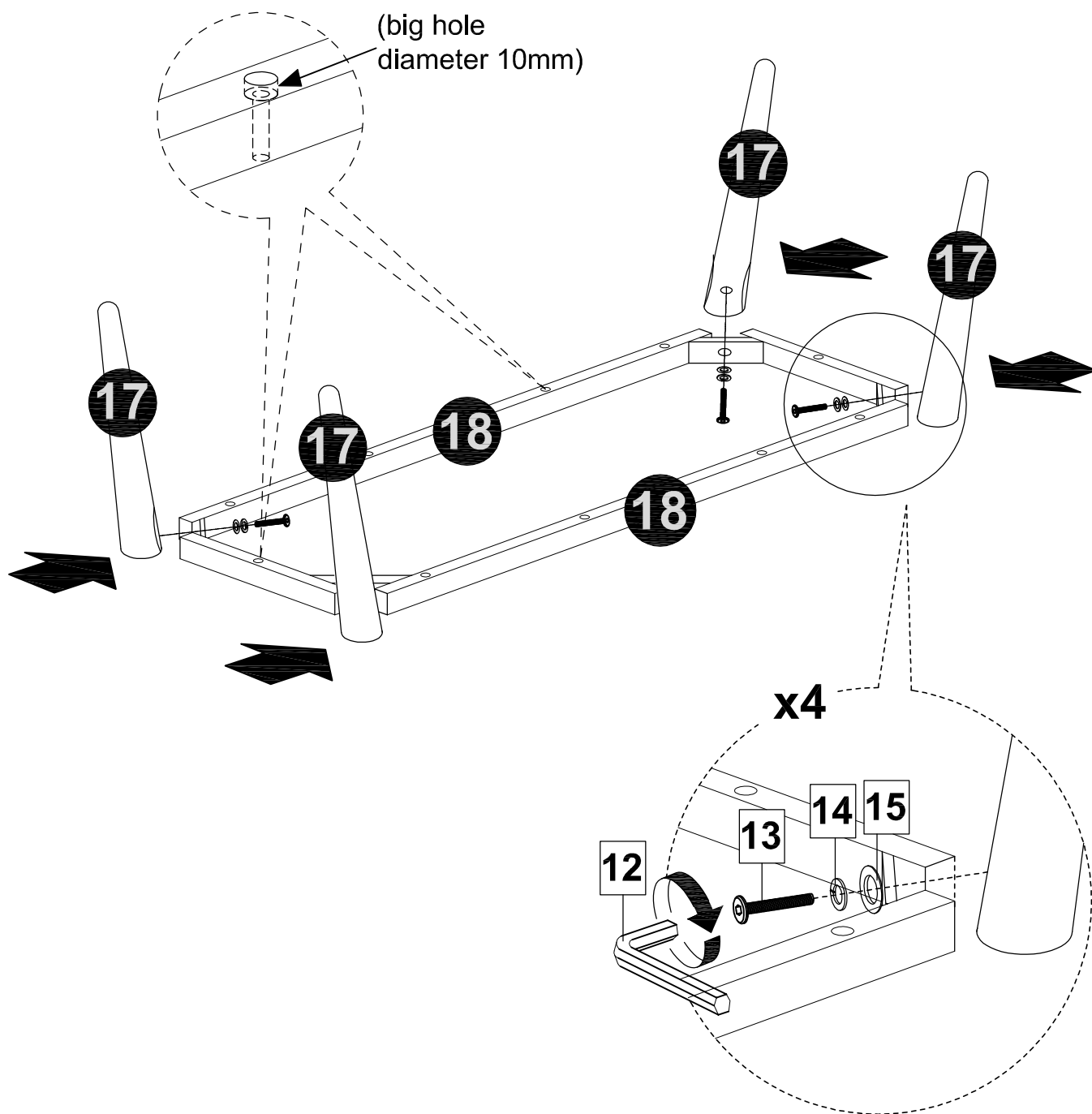
STEP 10



MODEL NAME:

DC 6311-00

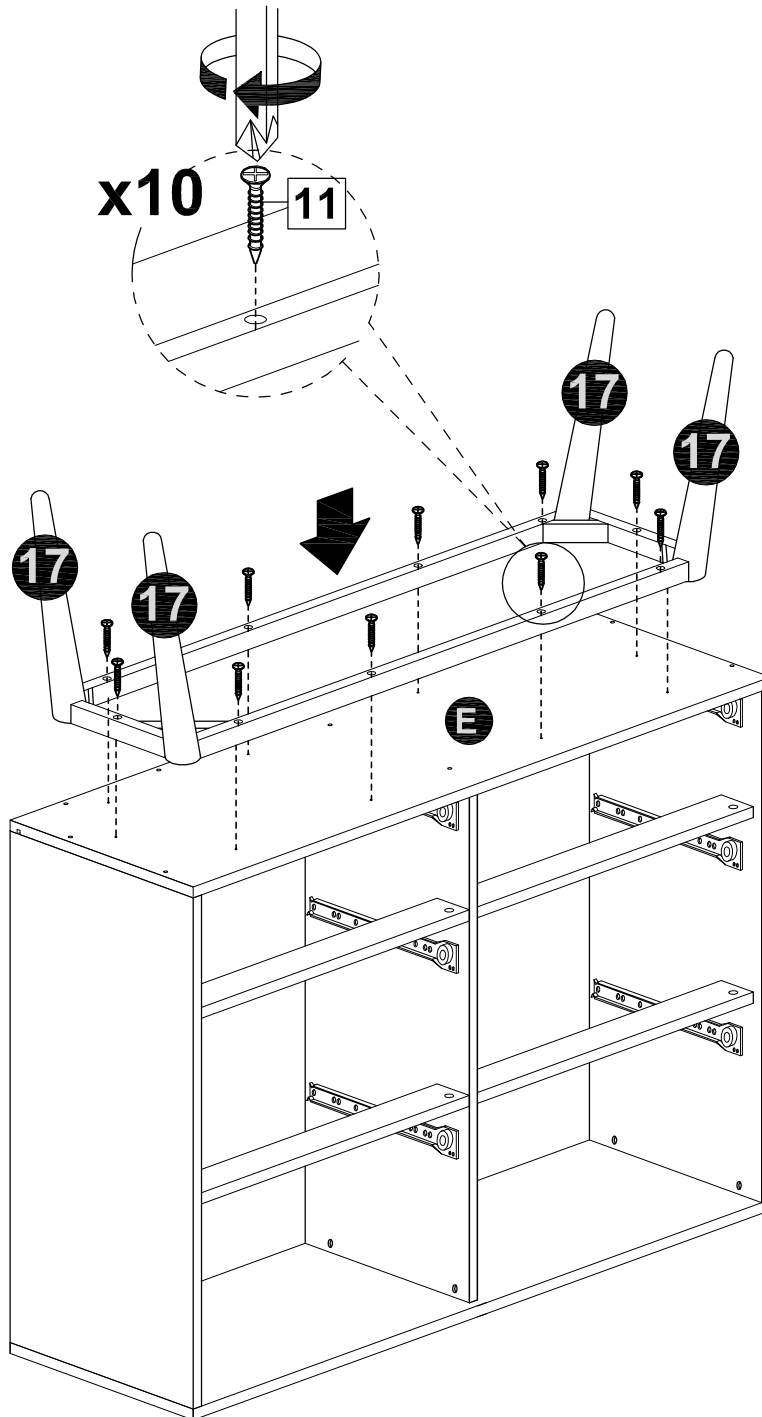
STEP 11



MODEL NAME:

DC 6311-00

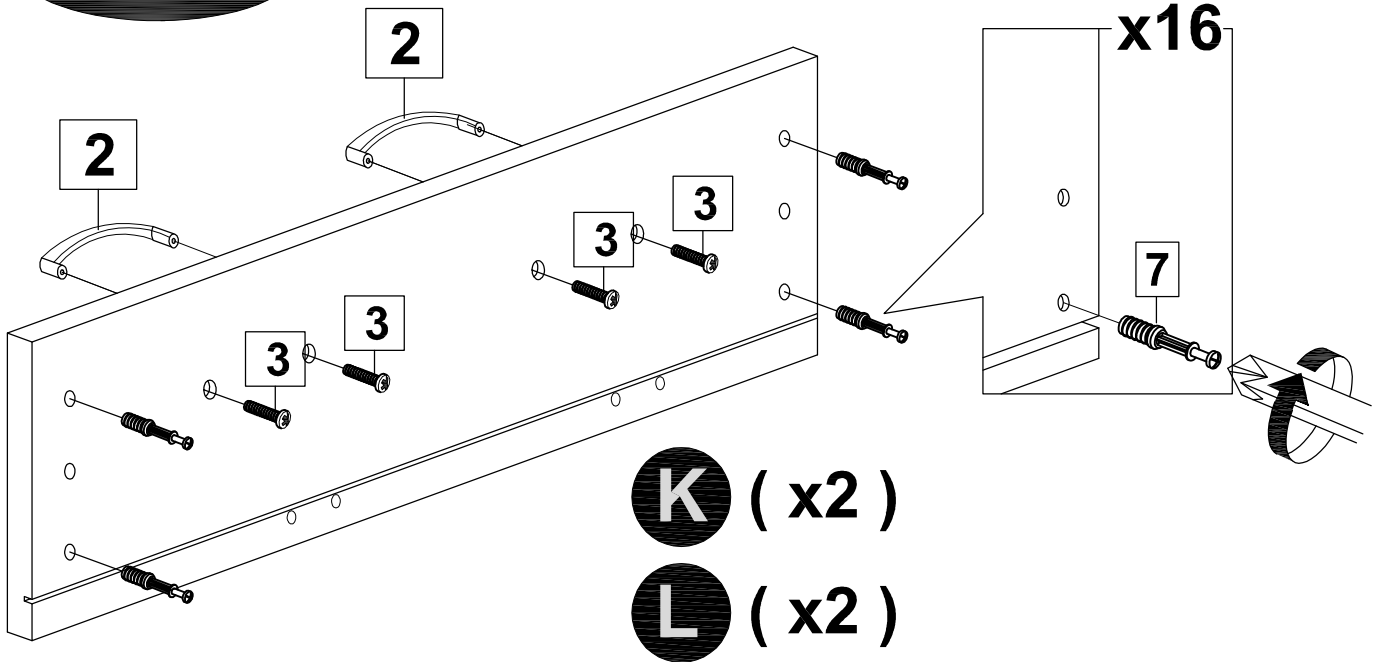
STEP 12



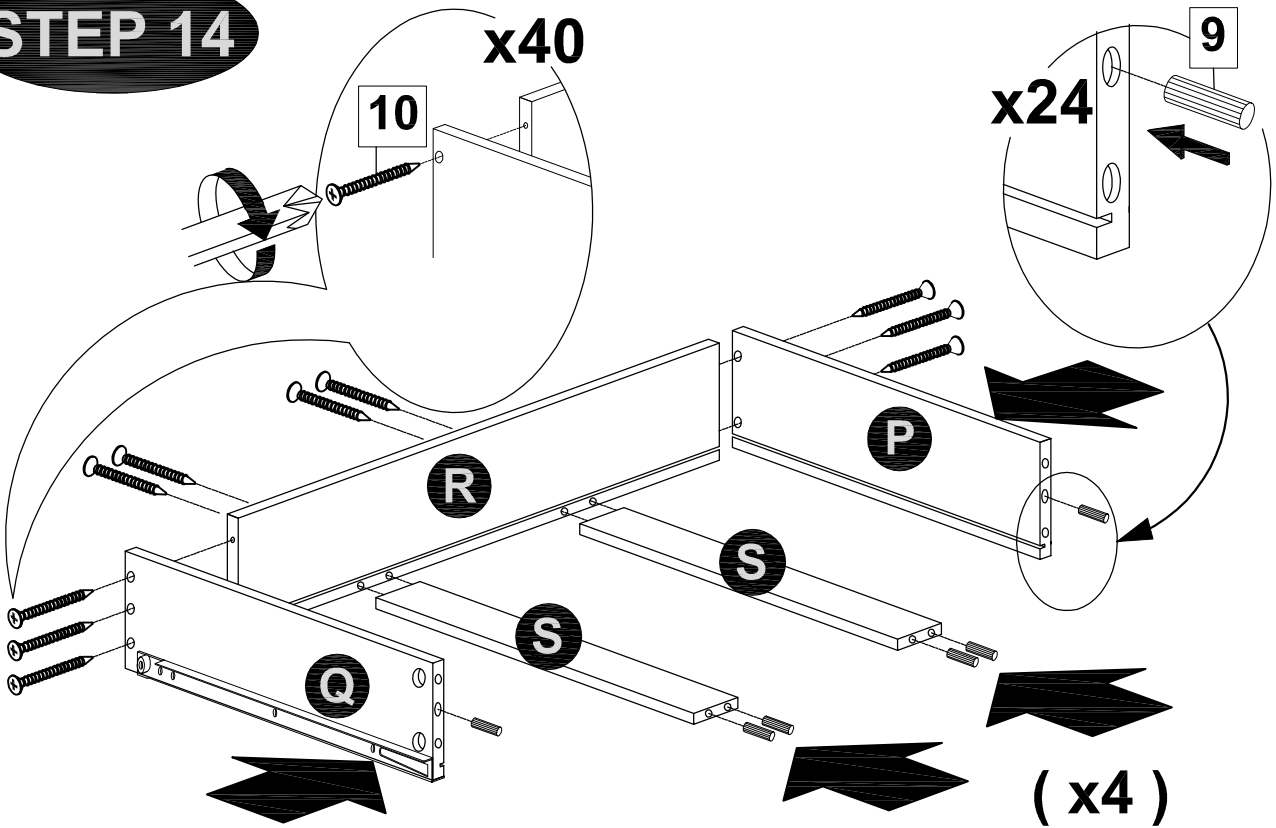
MODEL NAME:

DC 6311-00

STEP 13



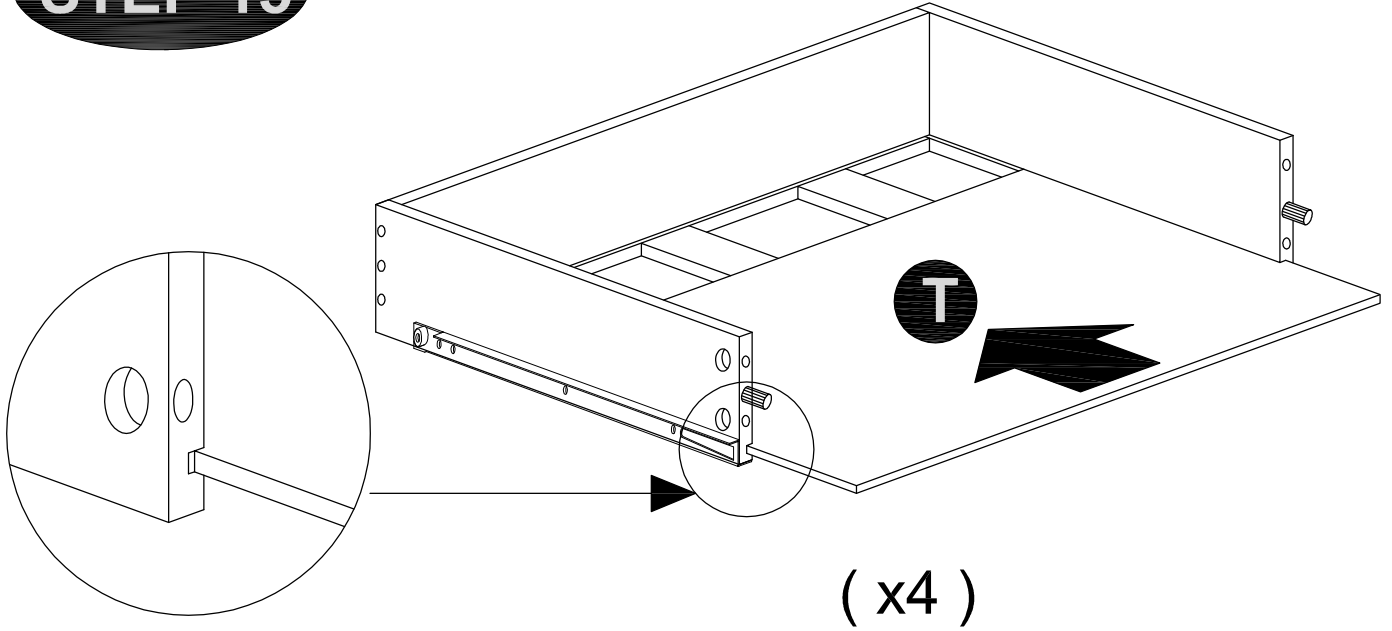
STEP 14



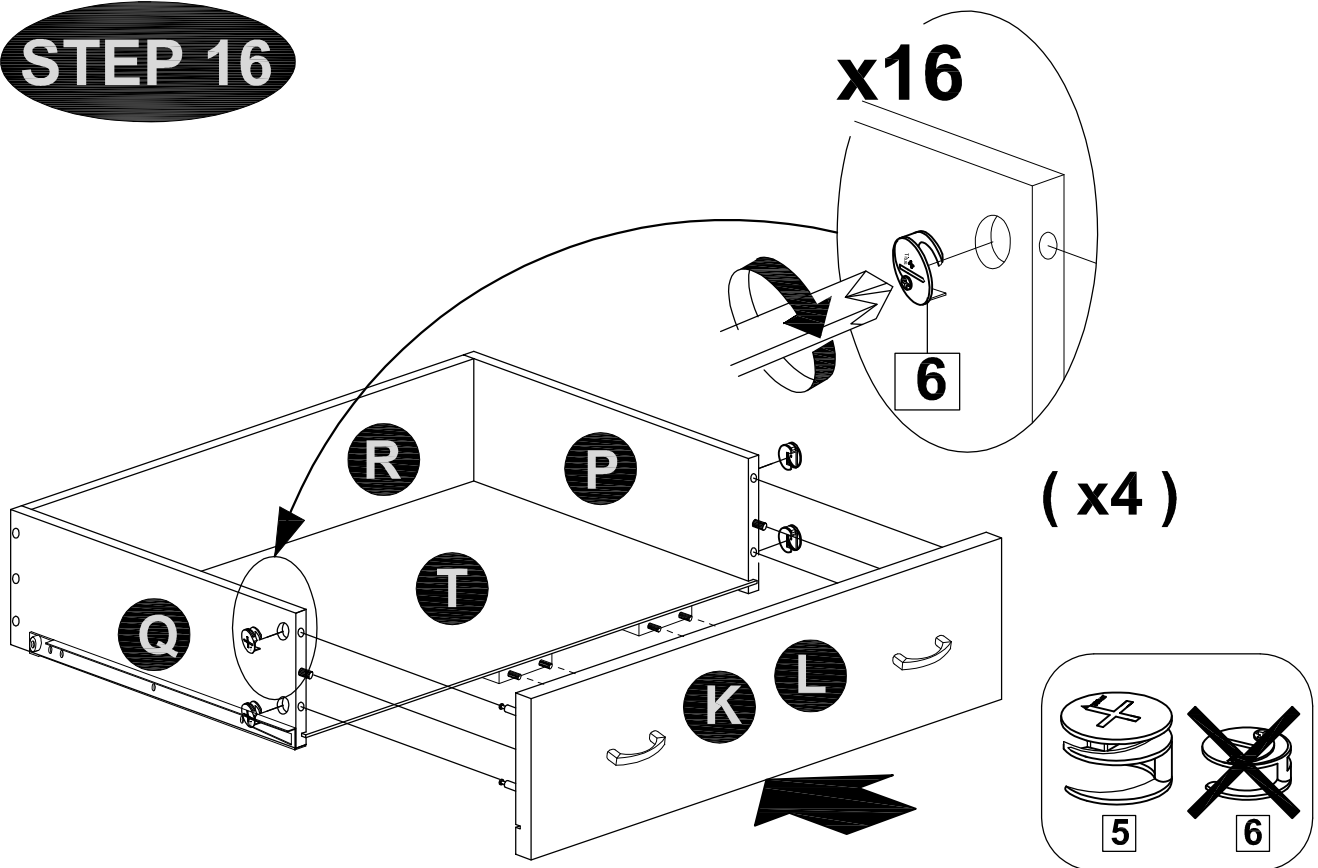
MODEL NAME:

DC 6311-00

STEP 15



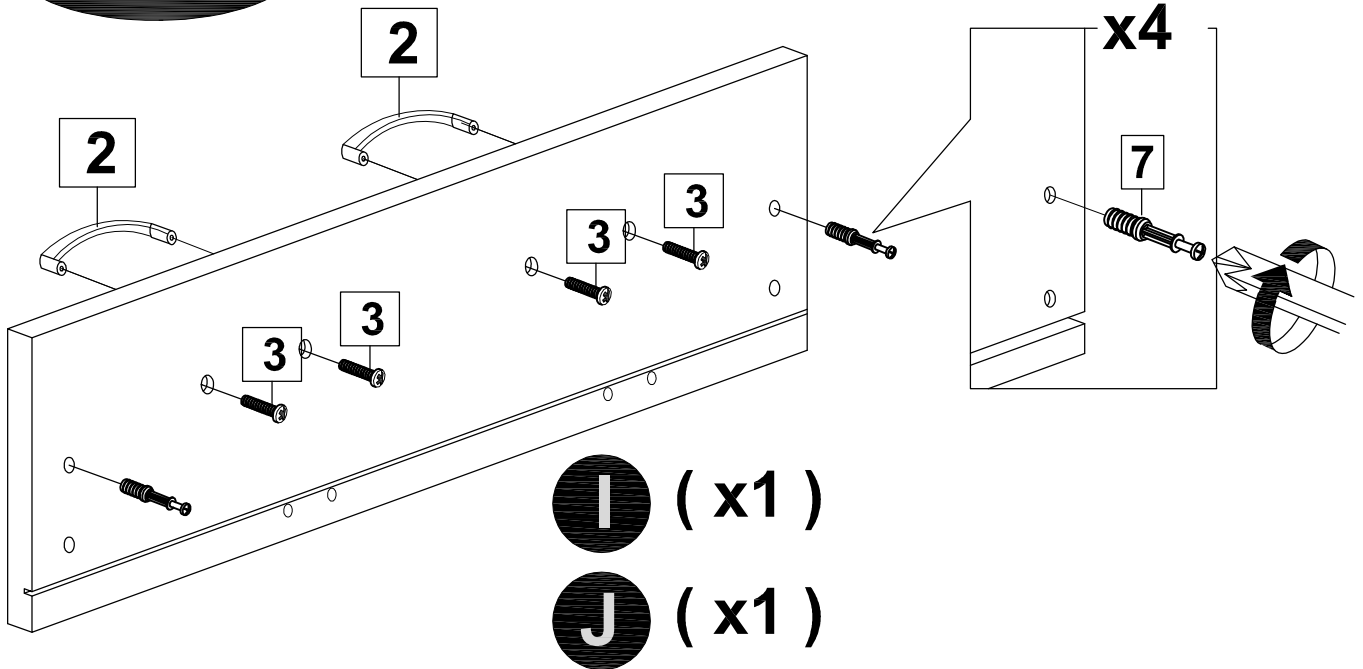
STEP 16



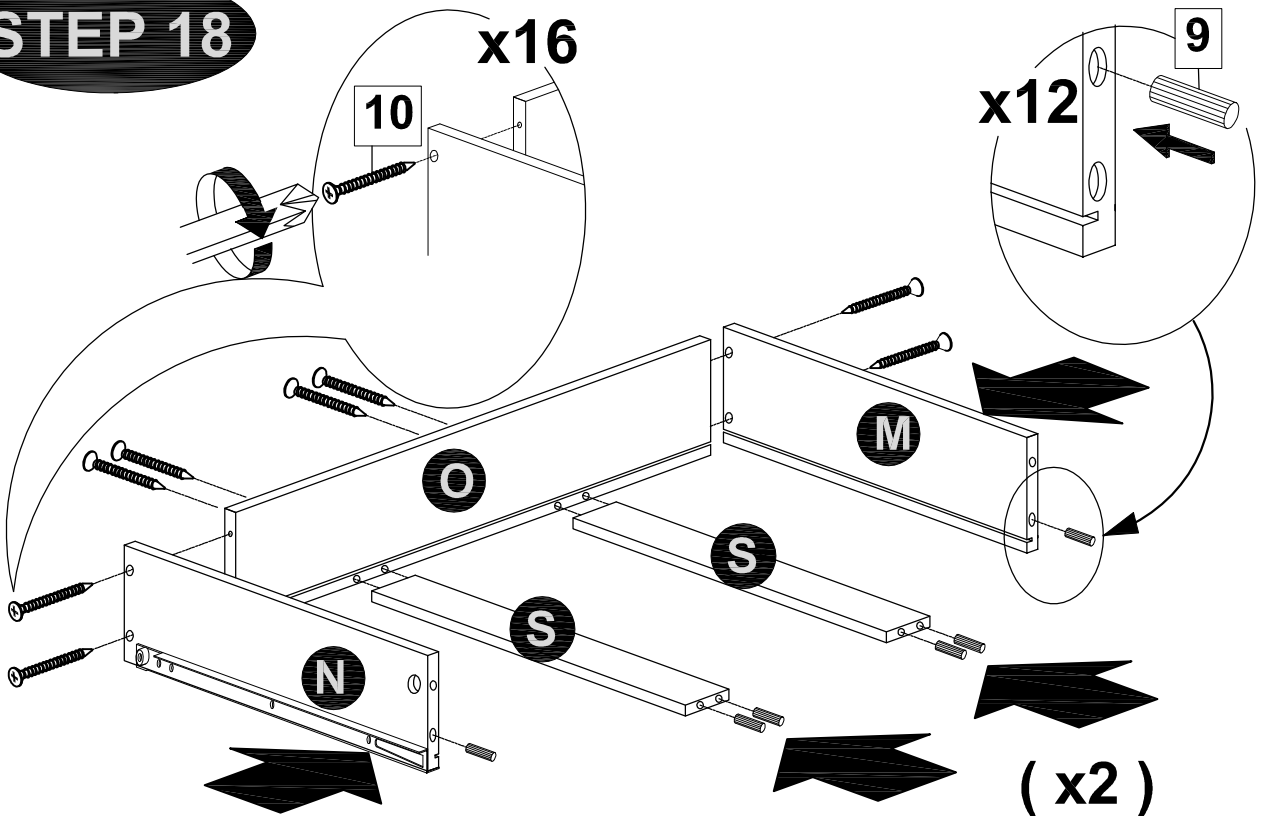
MODEL NAME:

DC 6311-00

STEP 17



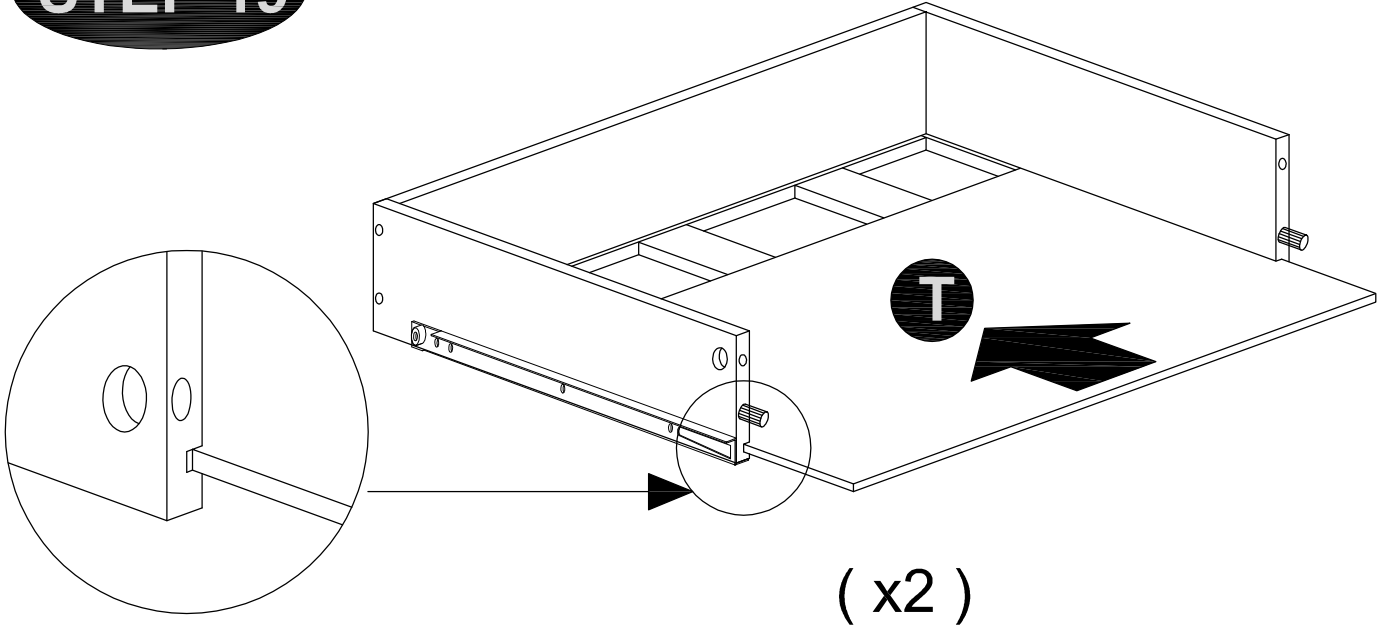
STEP 18



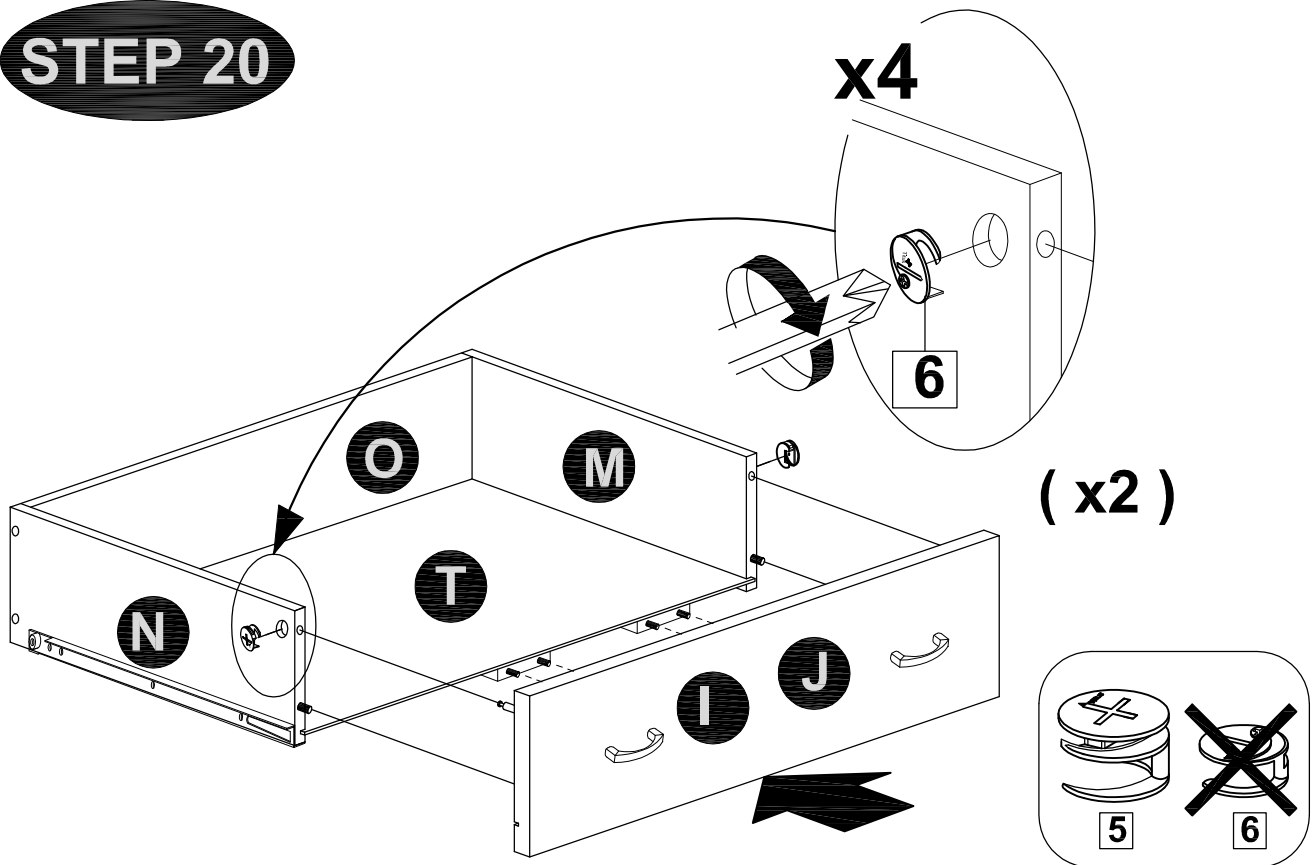
MODEL NAME:

DC 6311-00

STEP 19



STEP 20

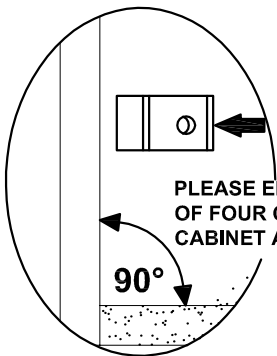
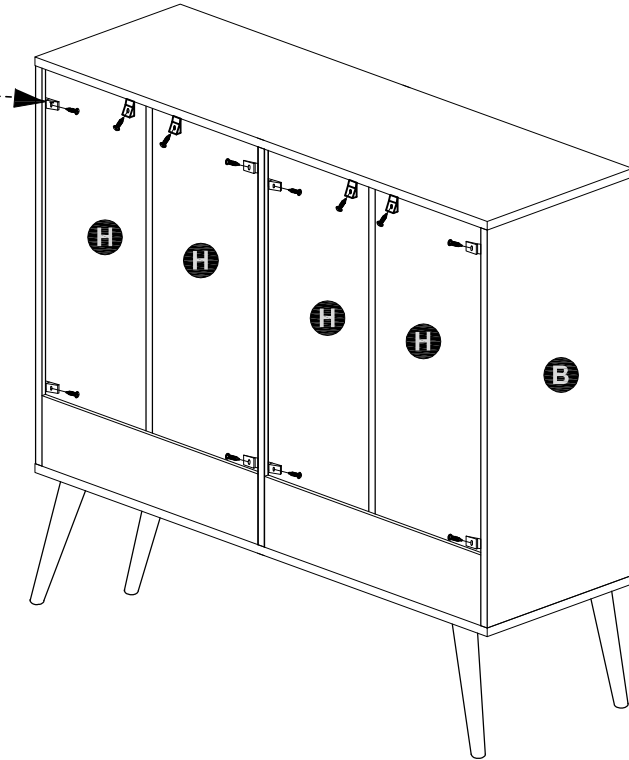
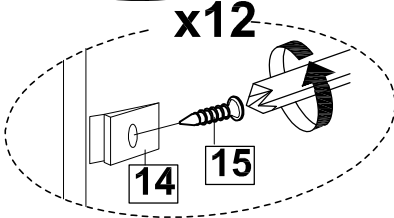


MODEL NAME:

DC 6311-00

STEP 21

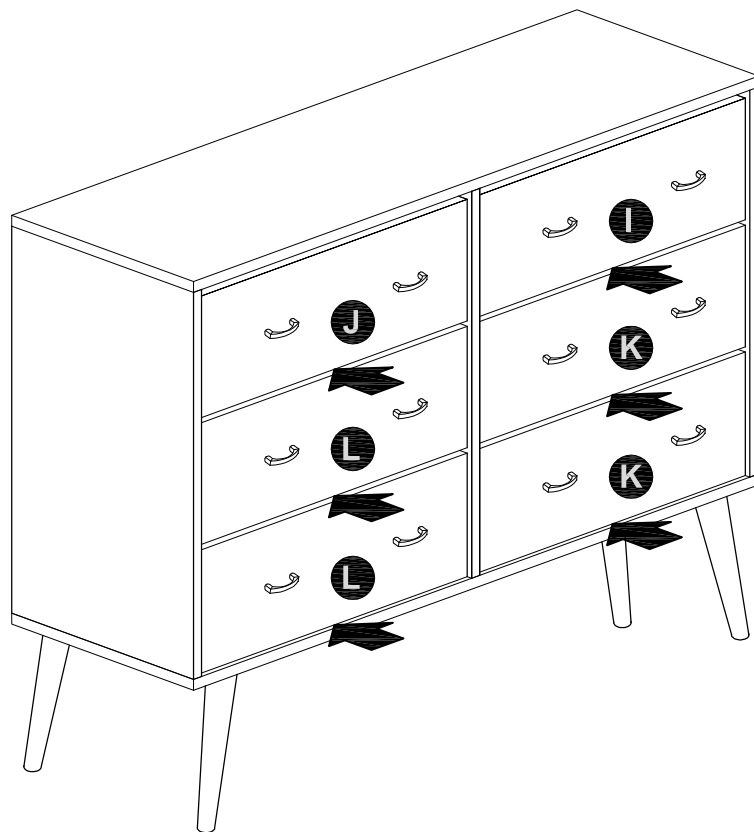
x12



PLEASE ENSURE THAT EACH OF FOUR CORNERS OF CABINET ARE SQUARE

90°

STEP 22



MODEL NAME:

DC 6311-00

STEP 23



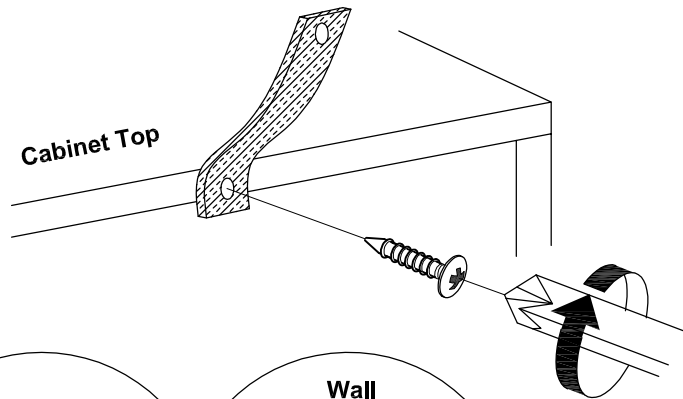
SAFETY WARNING :

It is recommended that you fit the anti-tip bracket to this item to avoid tipping and causing injury.

FITTING OF ANTI-TIP BRACKET

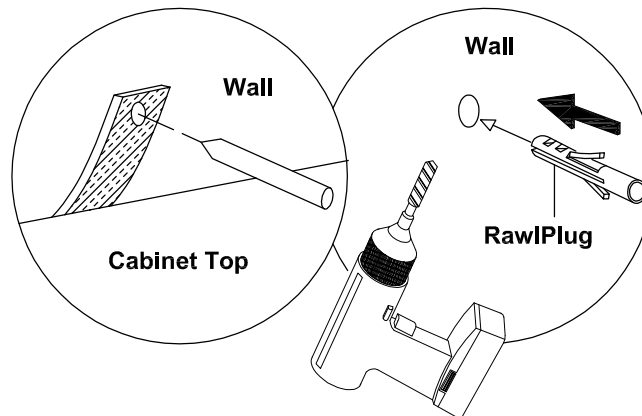
STEP 1 :

Insert screws through bracket into pre-drilled holes in cabinet.



STEP 2 :

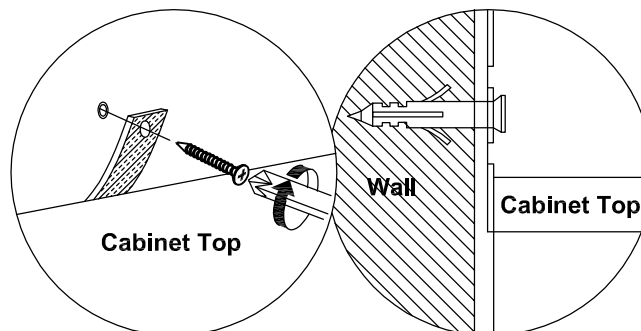
Make a mark on the wall through the bracket.



Drill a hole in the wall and insert the rawlplug.

STEP 3 :

Insert screw through bracket into hole in wall



NOTE : Wall fixings are not supplied with this product as different wall materials require different types of fixing devices (such as Rawl plugs on brick work). You must use fixing devices suitable for the type of wall you intend to mount this product to. Please ensure that the head of any screw used has a diameter greater than the diameter of the mounting hole on the bracket and that the fixing is safe and secure before use.

The screw supplied is to fix the anti-tip strap to the cabinet.

HARDWARE LIST



Anti-Tip Strap - 2pcs



M4 x 16MM - 2pcs