

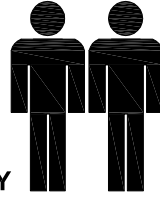
MODEL NAME:

DC 5790-00

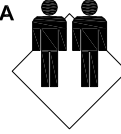
2.0hr

APPROXIMATE ASSEMBLY TIME

2 PERSON OF ASSEMBLY

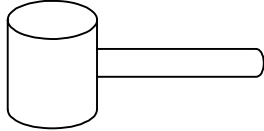


**FLOOR AREA
2.0M X 1.5M**



REQUIRED ASSEMBLY SPACE

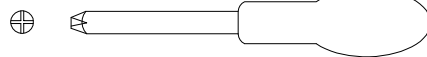
REQUIRED ASSEMBLY TOOLS



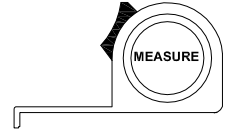
SOFT RUBBER HAMMER



SLOTTED SCREWDRIVER

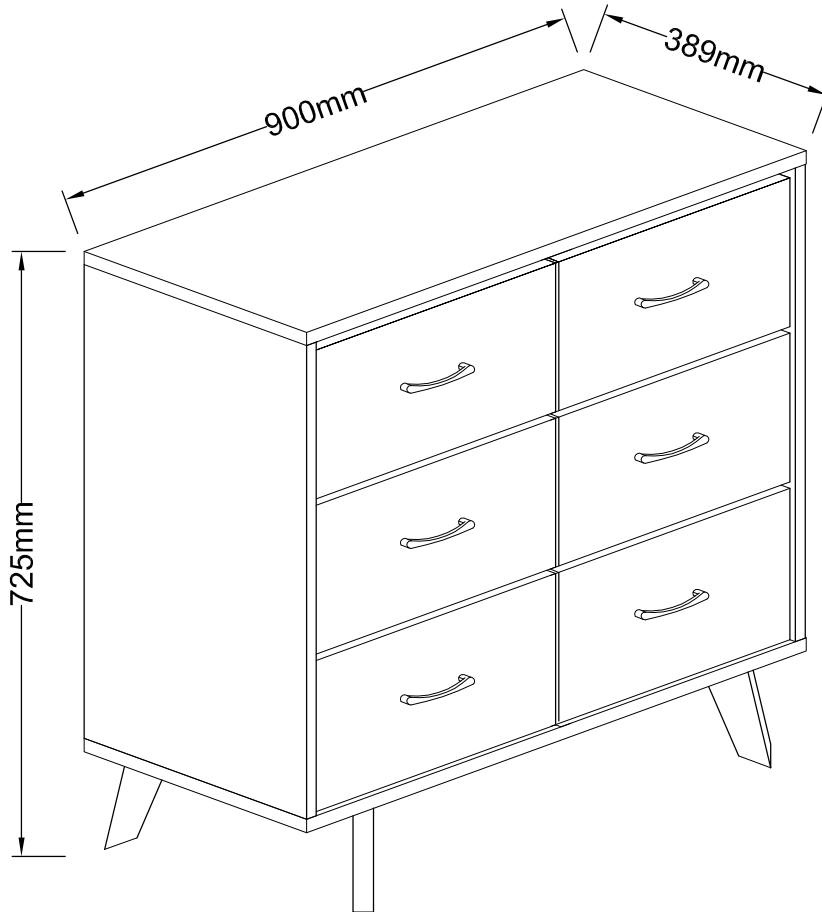


POZI SCREWDRIVER



MEASURING TAPE

ASSEMBLED DIMENSIONS



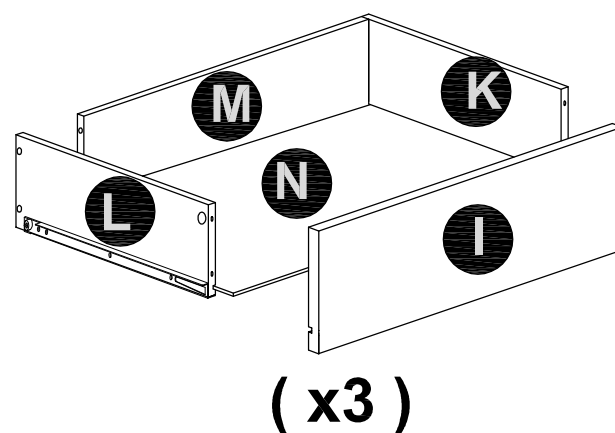
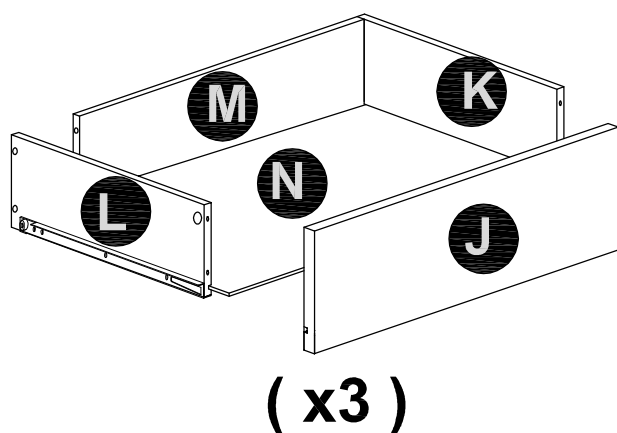
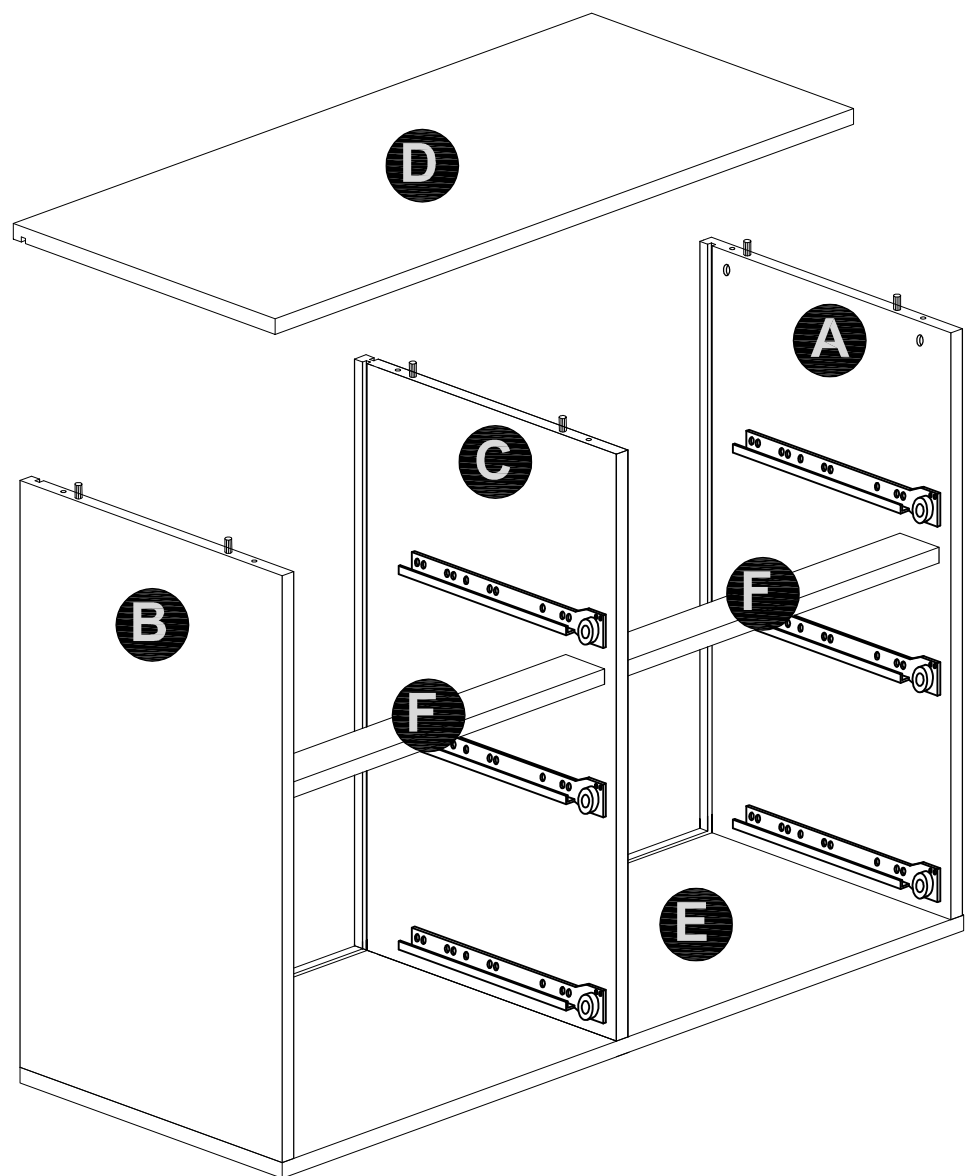
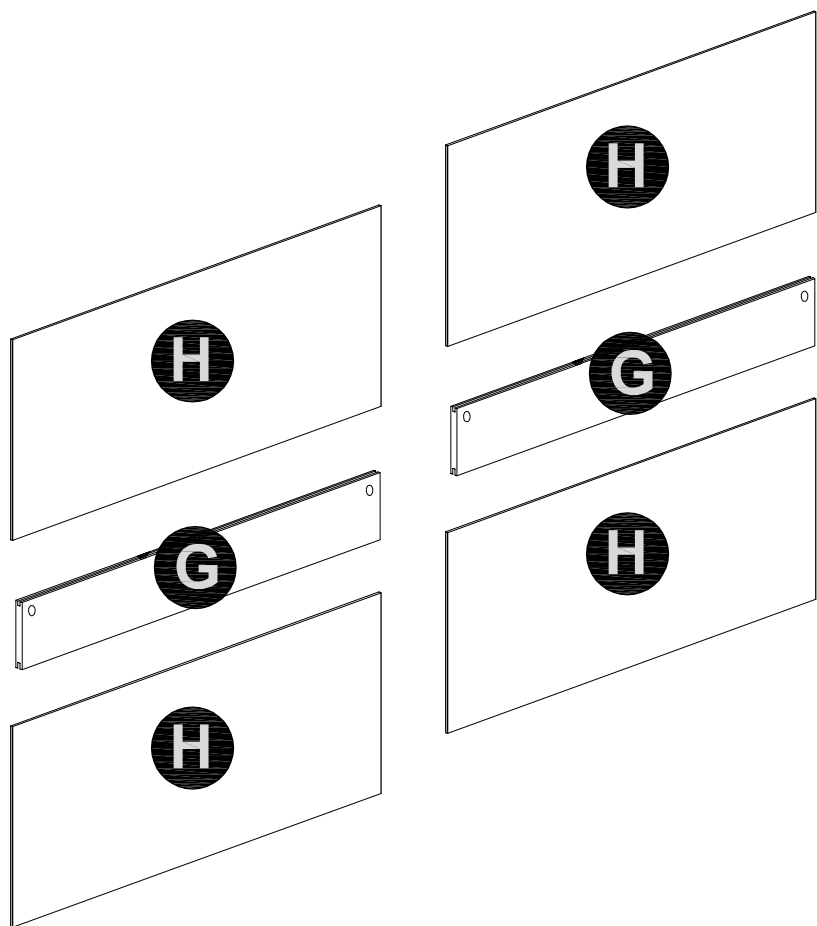
NOTE : THE MAXIMUM WEIGHT THIS PRODUCT CAN HOLD UP TO 25 KGS.

MODEL NAME:

DC 5790-00

NO.	PART LIST	QTY	NO.	PART LIST	QTY
(A)	RIGHT SIDE PANEL	1	(I)	DRAWER FRONT RIGHT	3
(B)	LEFT SIDE PANEL	1	(J)	DRAWER FRONT LEFT	3
(C)	CENTRE PANEL	1	(K)	DRAWER RIGHT PANEL	6
(D)	TOP PANEL	1	(L)	DRAWER LEFT PANEL	6
(E)	BOTTOM PANEL	1	(M)	DRAWER BACK PANEL	6
(F)	CENTRE SUPPORT	2	(N)	DRAWER BASE	6
(G)	BACK SUPPORT	2			
(H)	BACK PANEL	4			

PARTS LIST



MODEL NAME:

DC 5790-00

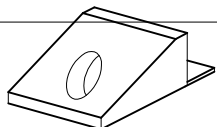
HARDWARE LIST

3cm

2cm

1cm

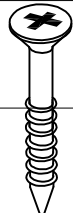
0cm



12X

1

BACKPLY
STOPPER

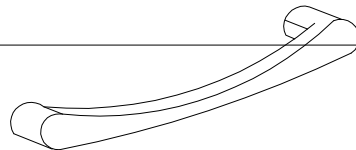


12X

M3 x 20mm

2

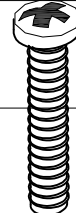
FLAT HEAD
SCREW



6X

3

HANDLE

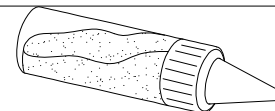


12X

M4 x 19mm

4

PAN HEAD
SCREW



2X

5

GLUE 10CC

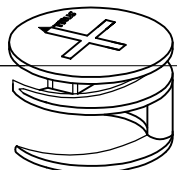
4cm

3cm

2cm

1cm

0cm



14X

Dia.15mm

6

LARGE
CAMLOCK

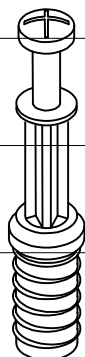


12X

Dia.15mm

7

SMALL
CAM-LOCK

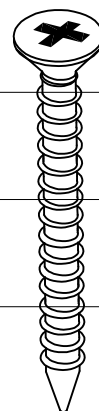


26X

M6.5

8

QUICKFIT

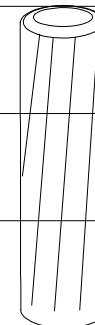


6X

M8 x 38mm

9

FLAT HEAD
SCREW

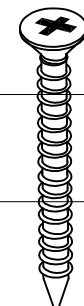


32X

Dia.6 x 30mm

10

WOOD
DOWEL



24X

M3.5 x 25mm

11

FLAT HEAD
SCREW

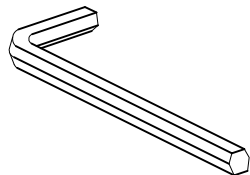


10X

M8 x 50mm

12

FLAT HEAD
SCREW

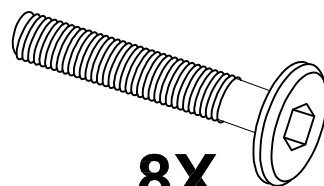


1X

M4

13

ALLEN KEY



8X

M6 x 70mm

14

ALLEN HEAD
BOLT



8X

M6-RB

15

SPRING
WASHER

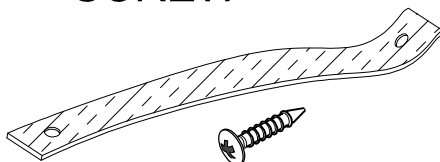


8X

1/4 x 19-RB

16

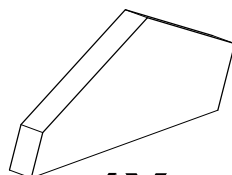
FLAT
WASHER



2X

17

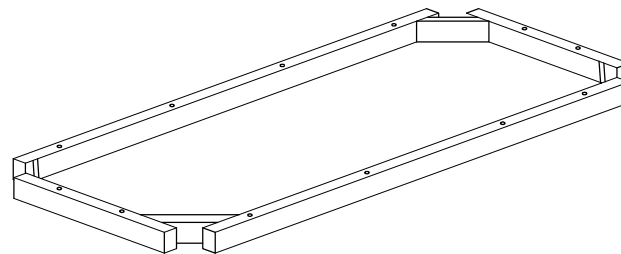
ANTI TIP
STRAP



4X

18

185 x 65 x T31mm
LEG



1X

19

WOODEN FRAME

MODEL NAME:

DC 5790-00

Top Tips before you start!

1. Please check that all parts are present before you start the assembly of your furniture.
2. For ease and speed of assembly, we recommend that before you commence each step of the assembly, that you identify all the parts required for that step.
3. For larger items, please ensure that you have sufficient space and people (as indicated on page 1) to assemble your product safely
4. We recommend that, where possible, all items are assembled near to the area in which they will be placed in use, to avoid moving the product unnecessarily once assembled.
5. For the protection of your furniture, particularly items of high gloss finish, we recommend that the product is placed on a protected surface during assembly to prevent any damage.
6. Caution - Electric / Battery operated screw driver NOT RECOMMENDED.
7. During assembly please take care not to over-tighten any fittings, as this may damage the product.
8. Always place the product on a flat, steady and stable surface.
9. Do not sit or stand on the product.
Do not use the product as a stepladder.
10. This product is intended for indoor, household use only as it is non industrial product.
11. This product is constructed from re-inforced hollow board. Excessive pressure cause irreparable damage. Please do not kneel on any part of this product during assembly.

Care and Maintenance of your Furniture

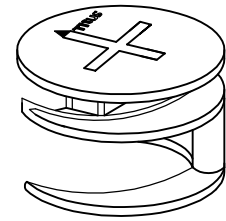
- Please periodically check all fittings and re-tighten as necessary.
- To clean your item, please use a damp cloth and wipe clean.
- Never allow any kind of liquid to remain on your furniture.
- Please do not place hot items (e.g. hot drinks) directly on to the wood surface.
- Please do not drag and pull your furniture.

MODEL NAME:

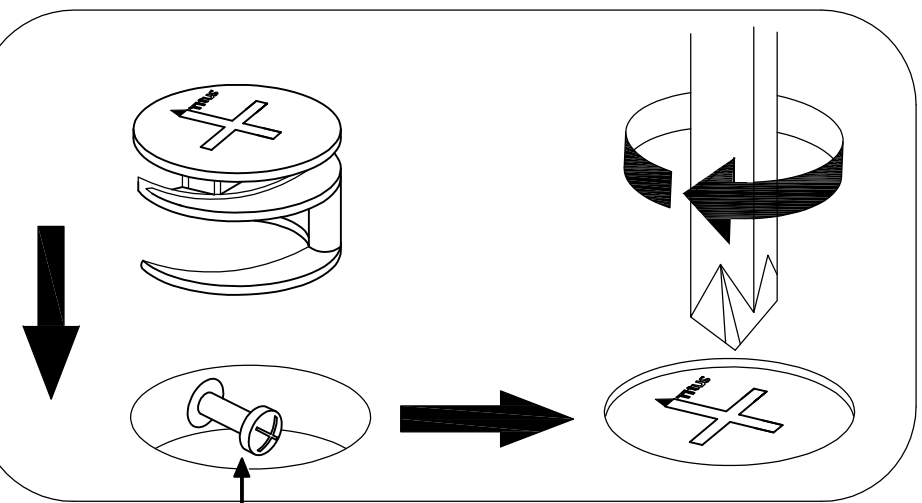
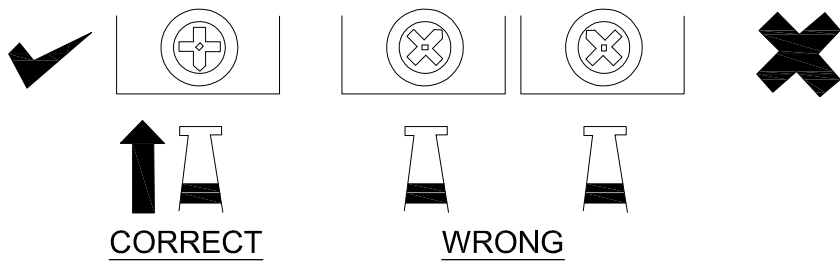
DC 5790-00

SPECIAL TIPS FOR FITTING CAM-LOCKS AND QUICKFIT

LARGE CAM-LOCK

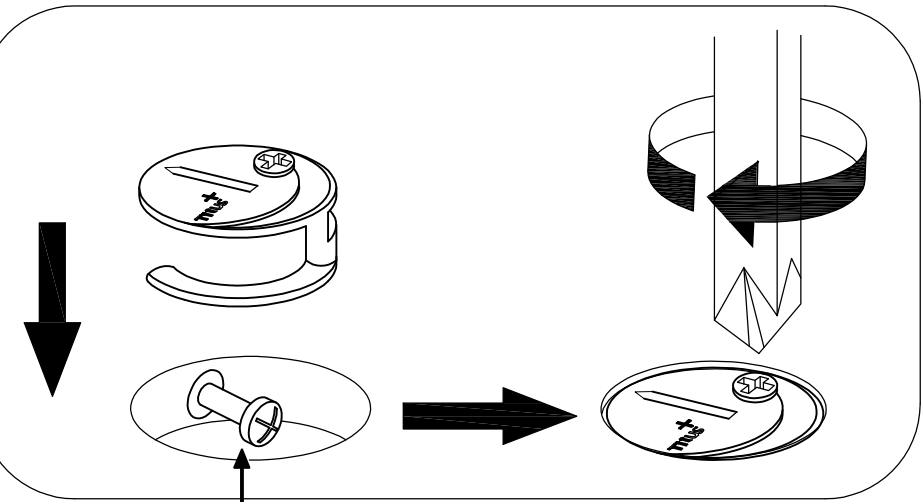


WHEN FITTING CAMLOCK
ENSURE STARTING POSITION IS CORRECT
BEFORE YOU INSERT CONNECTING QUICKFIT
TURN CLOCKWISE UNTIL SECURE



Quickfit head needs to be in centre

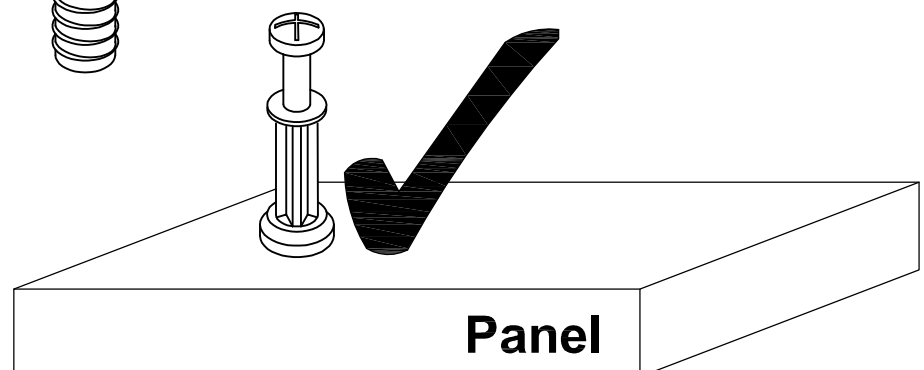
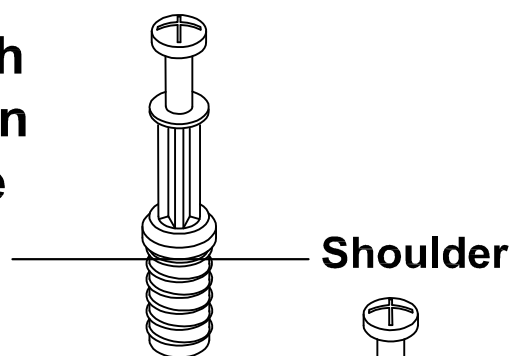
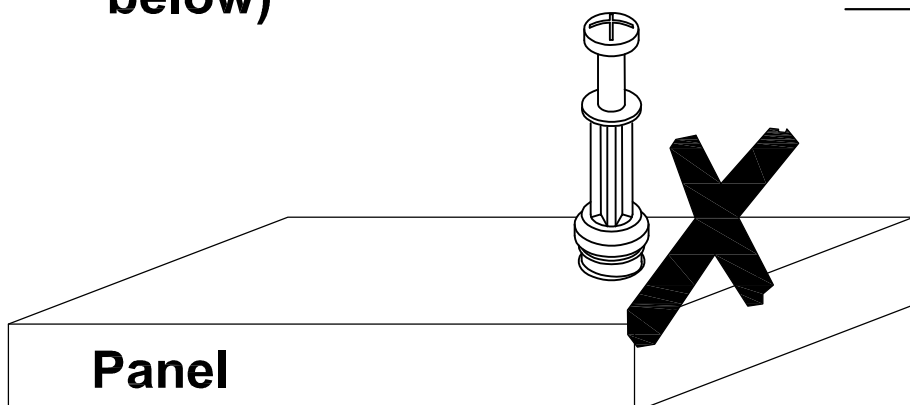
SMALL CAM-LOCK



Quickfit head needs to be in centre

QUICKFIT

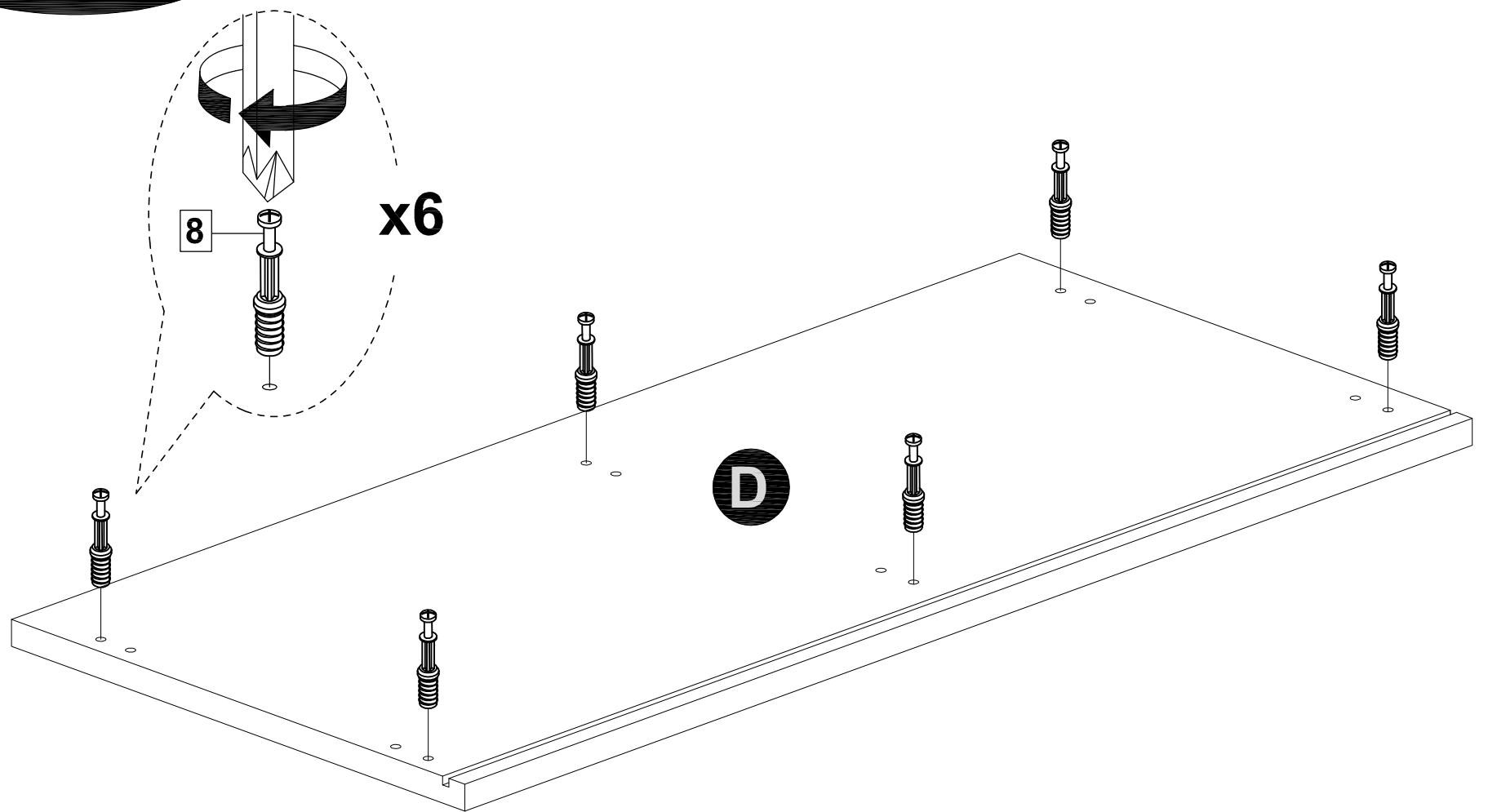
Tighten until shoulder is flush with panel. Do not overtighten or undertighten (see example below)



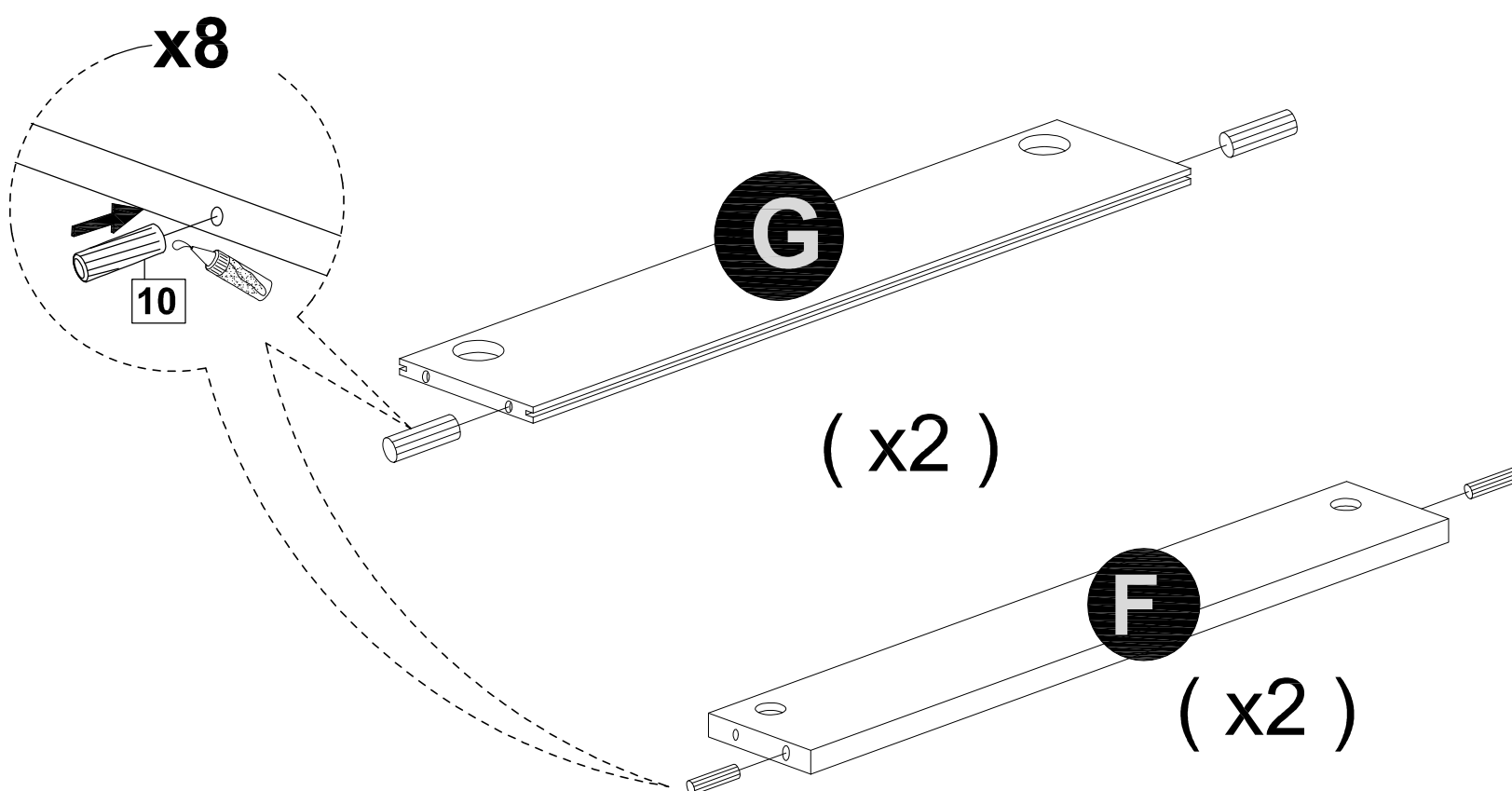
MODEL NAME:

DC 5790-00

STEP 1



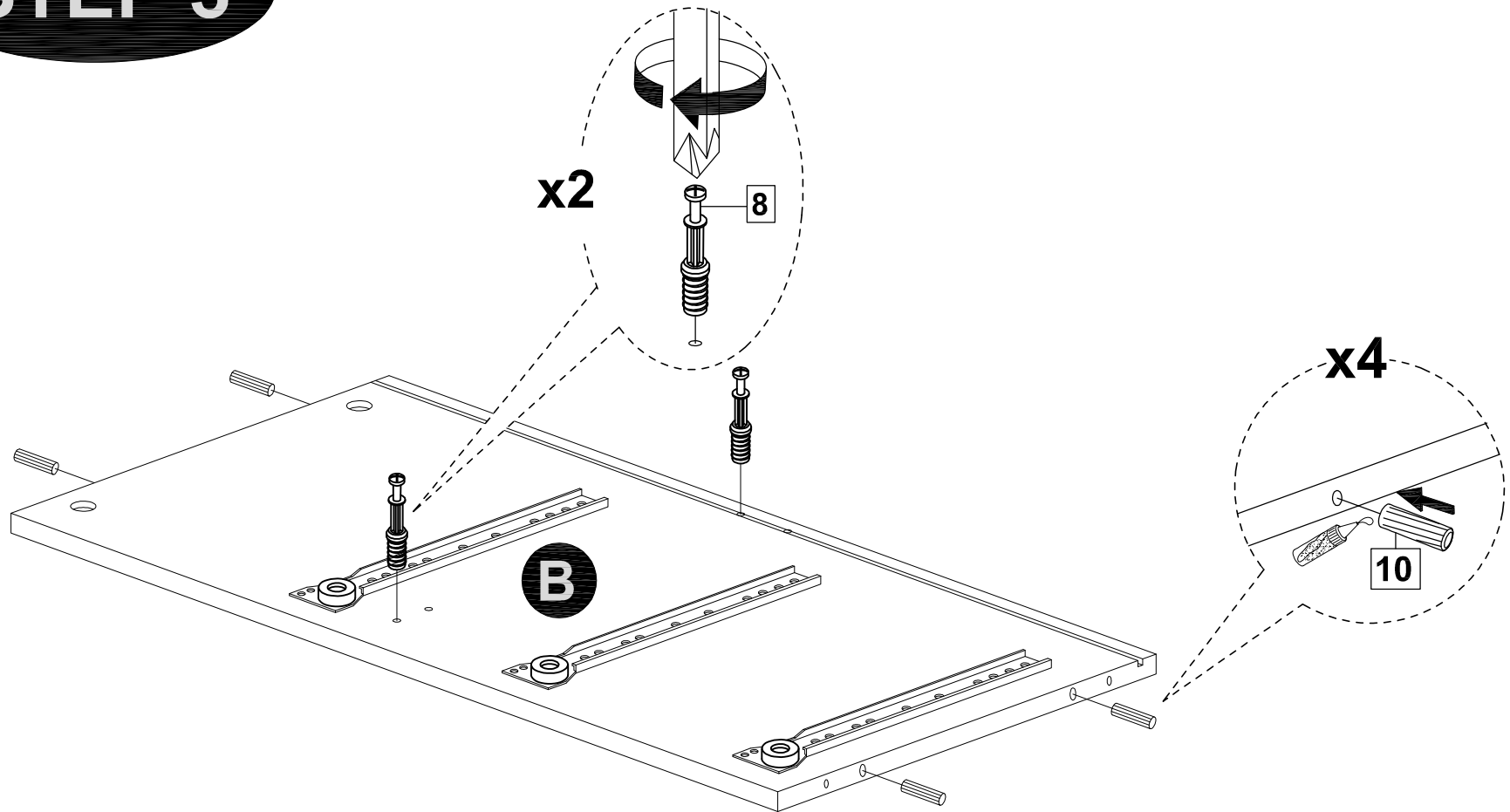
STEP 2



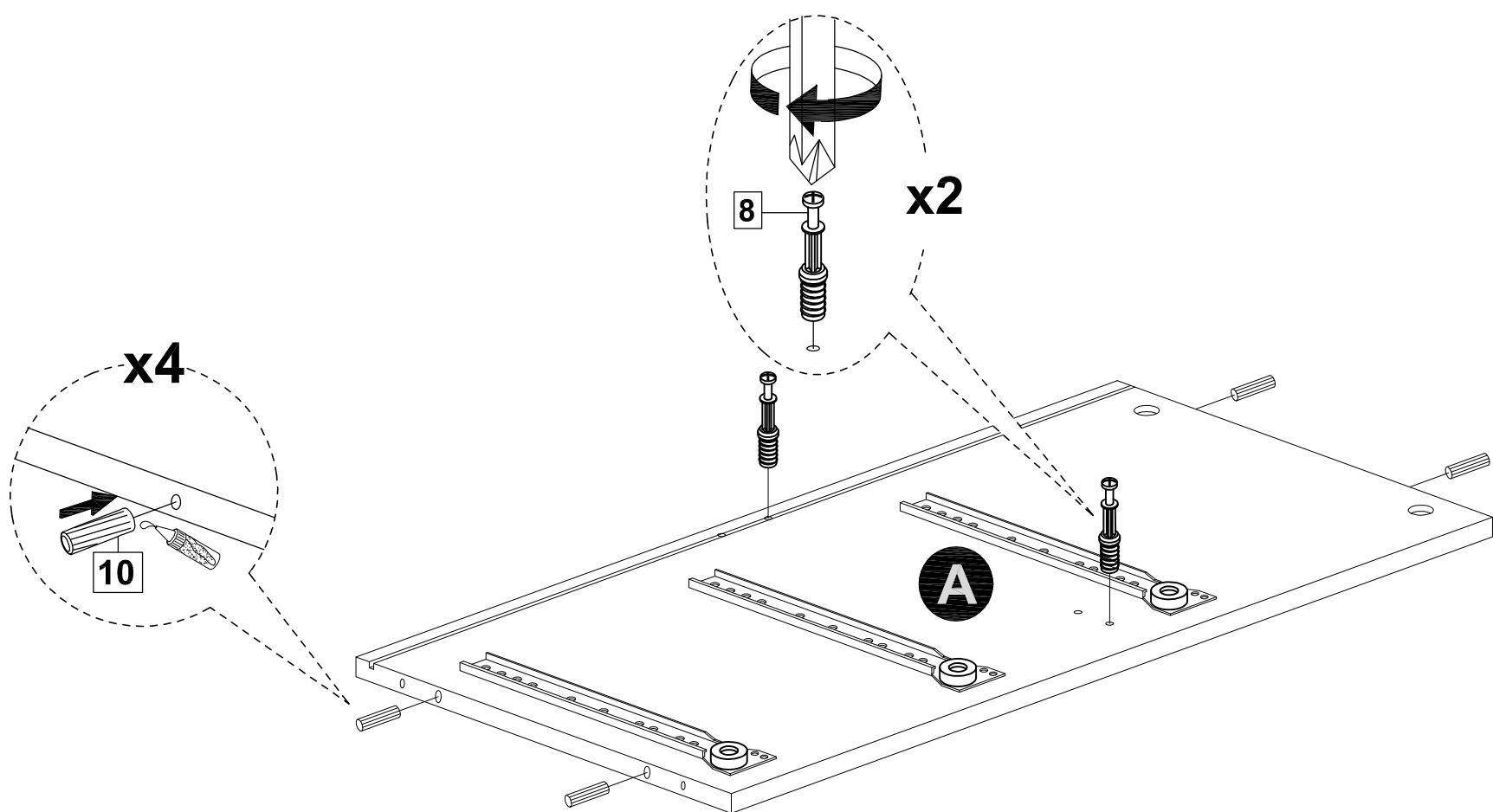
MODEL NAME:

DC 5790-00

STEP 3



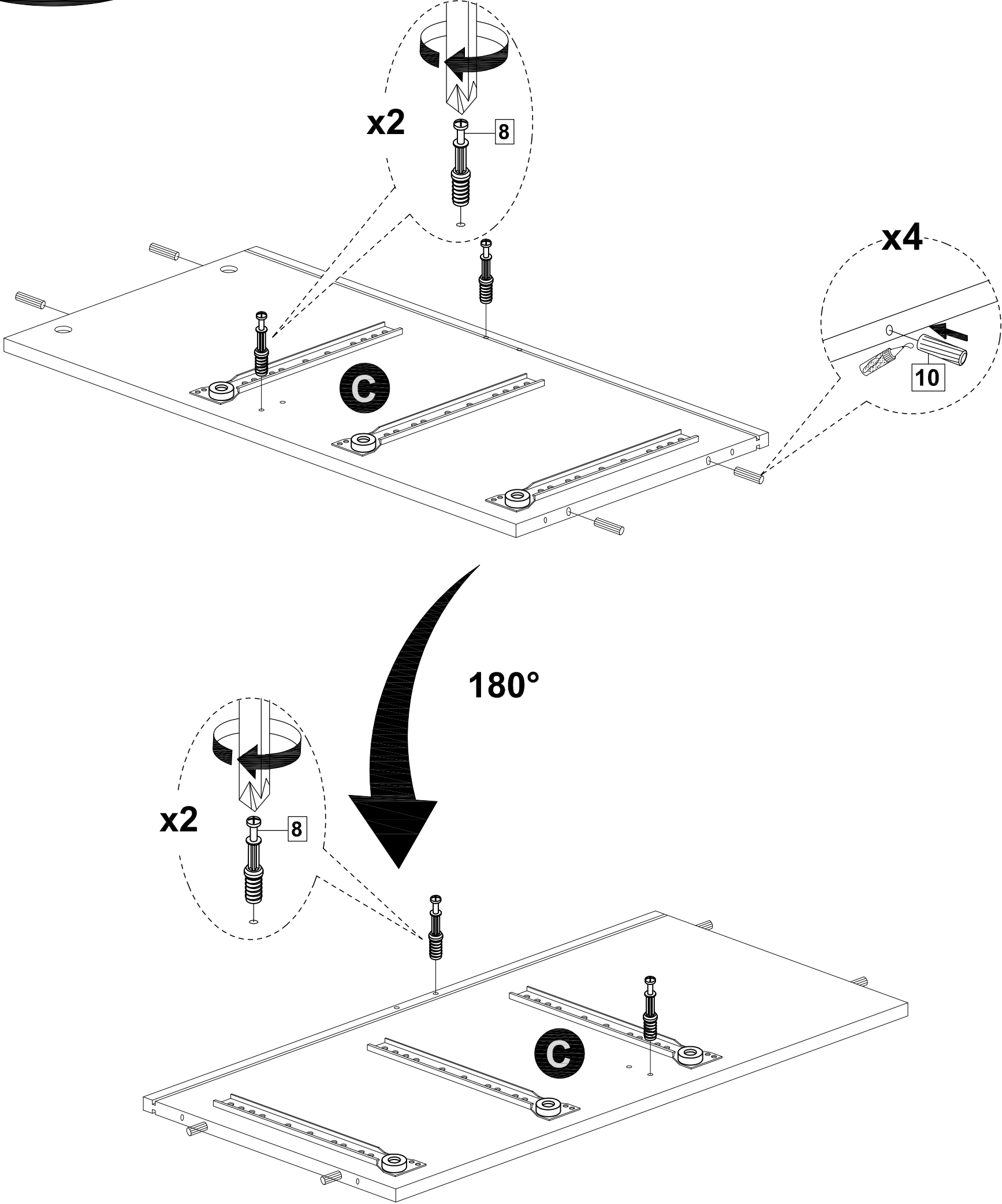
STEP 4



MODEL NAME:

DC 5790-00

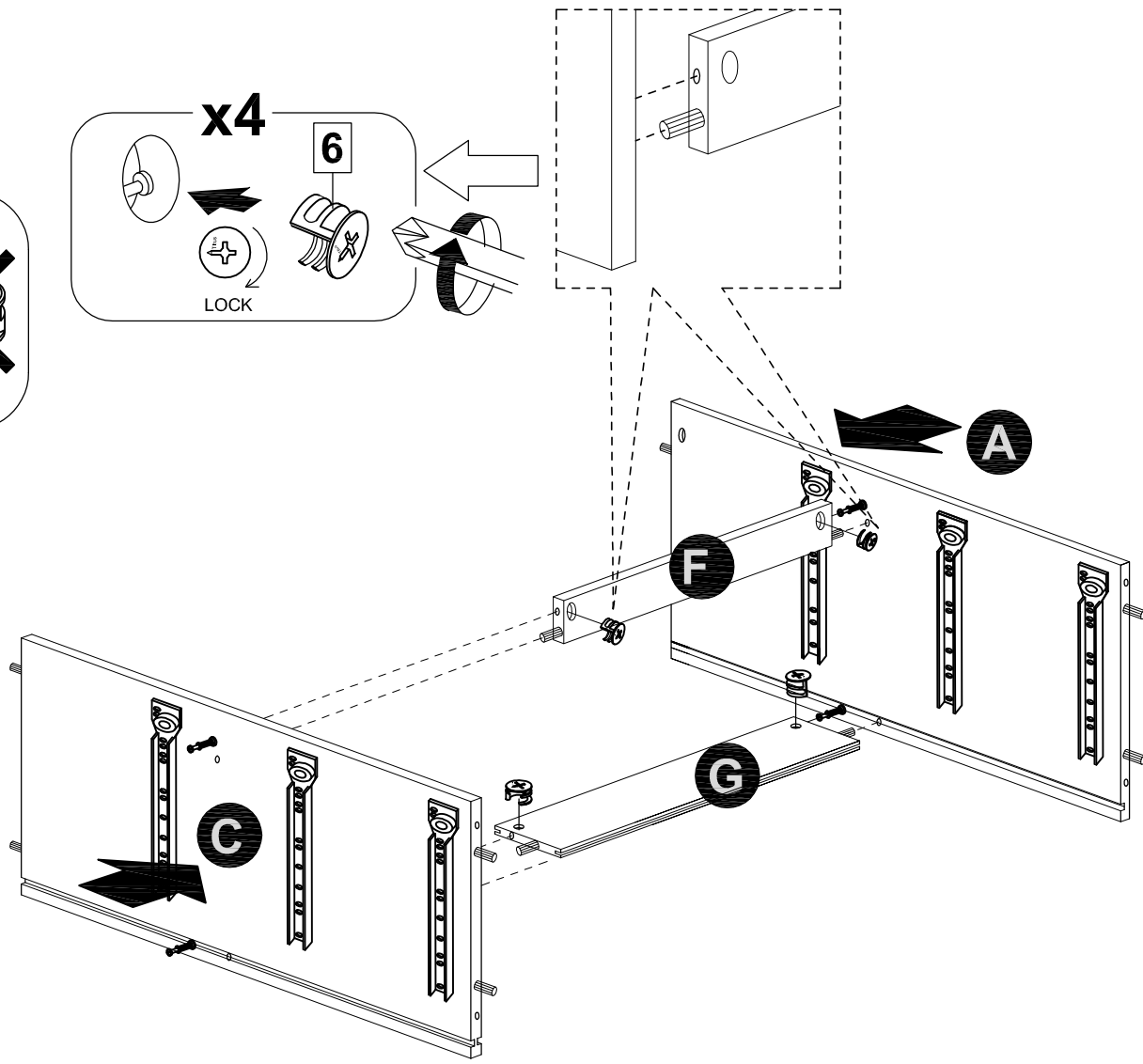
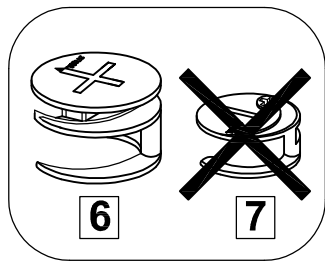
STEP 5



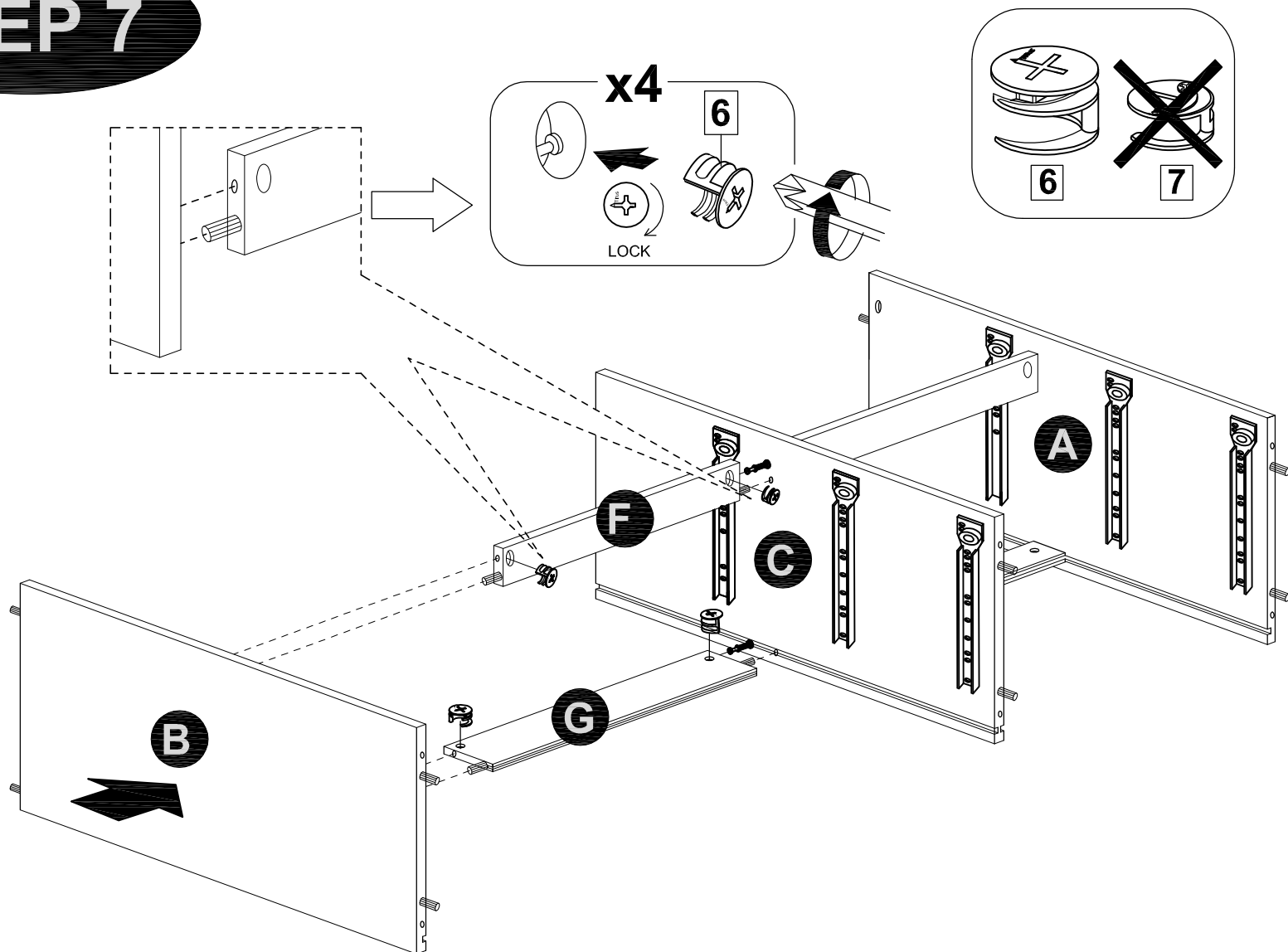
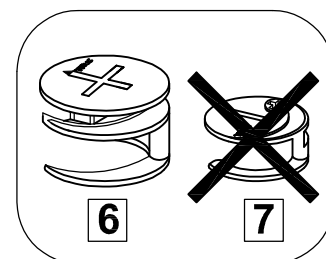
MODEL NAME:

DC 5790-00

STEP 6



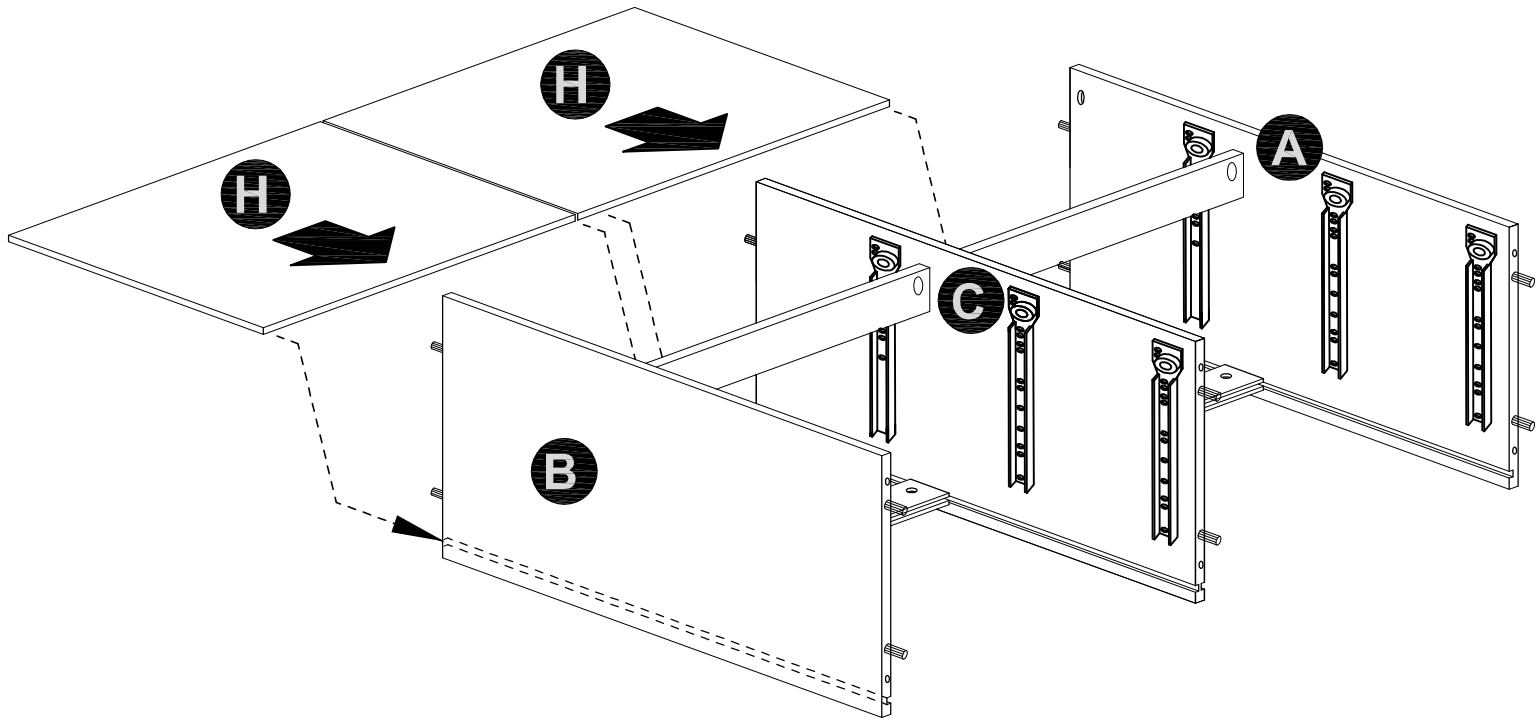
STEP 7



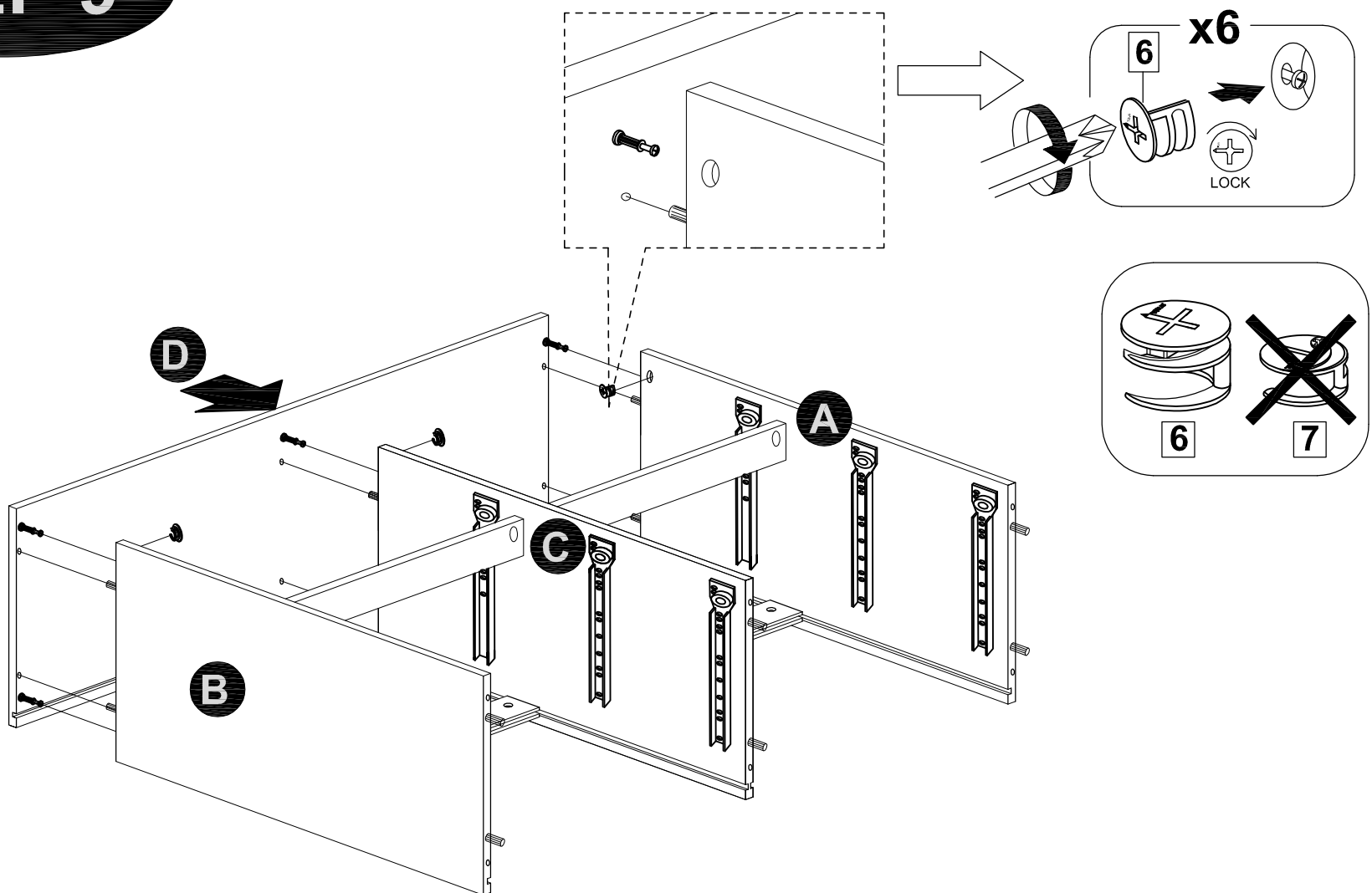
MODEL NAME:

DC 5790-00

STEP 8



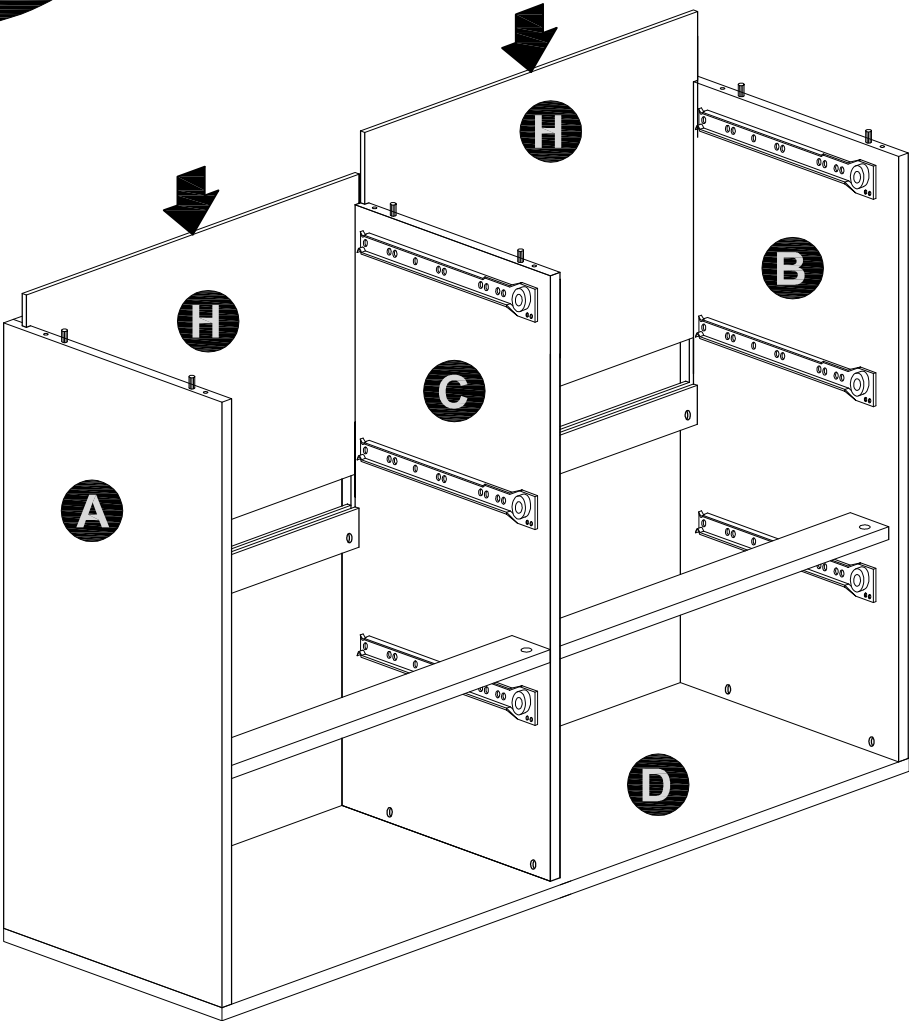
STEP 9



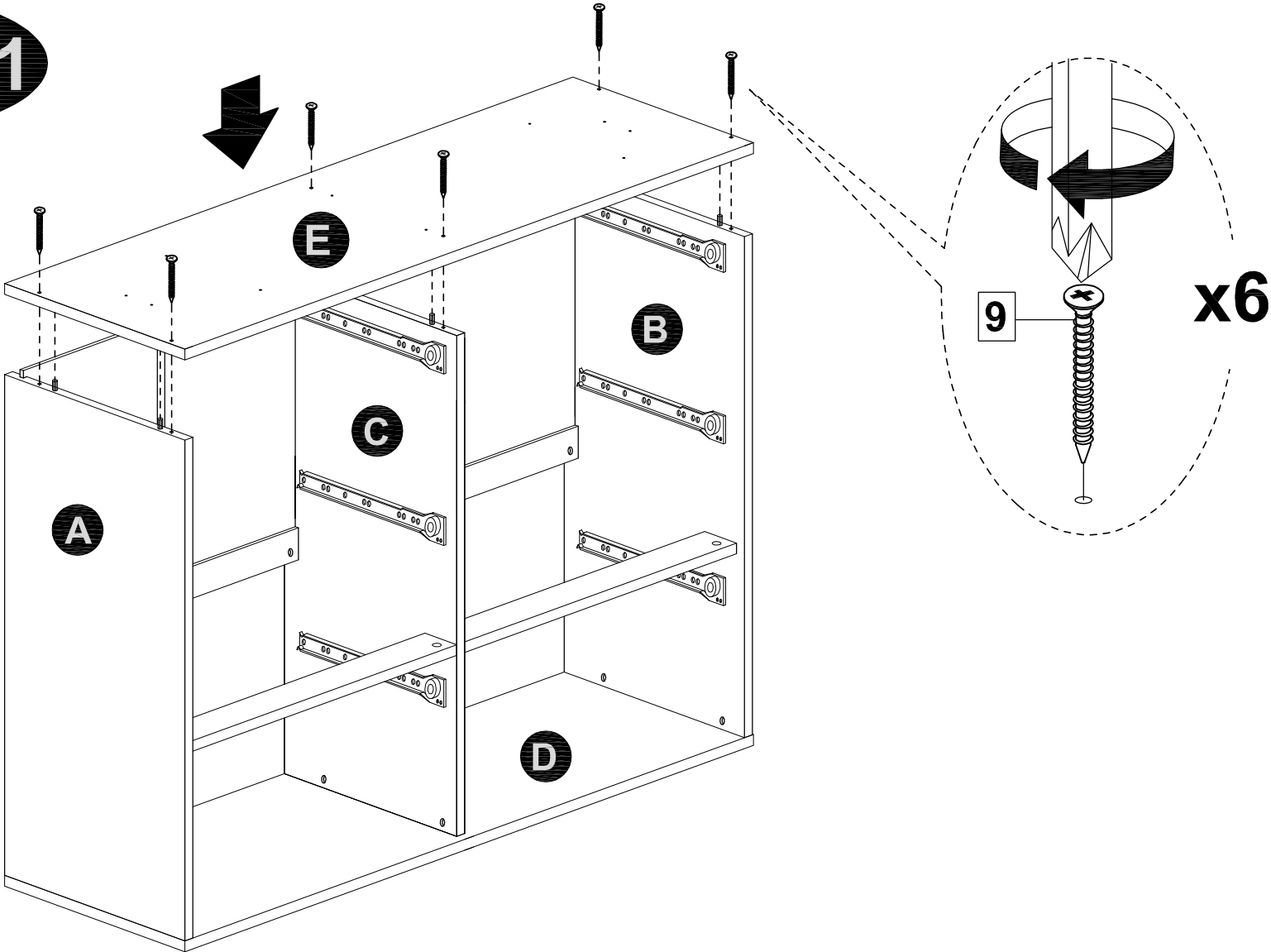
MODEL NAME:

DC 5790-00

STEP 10



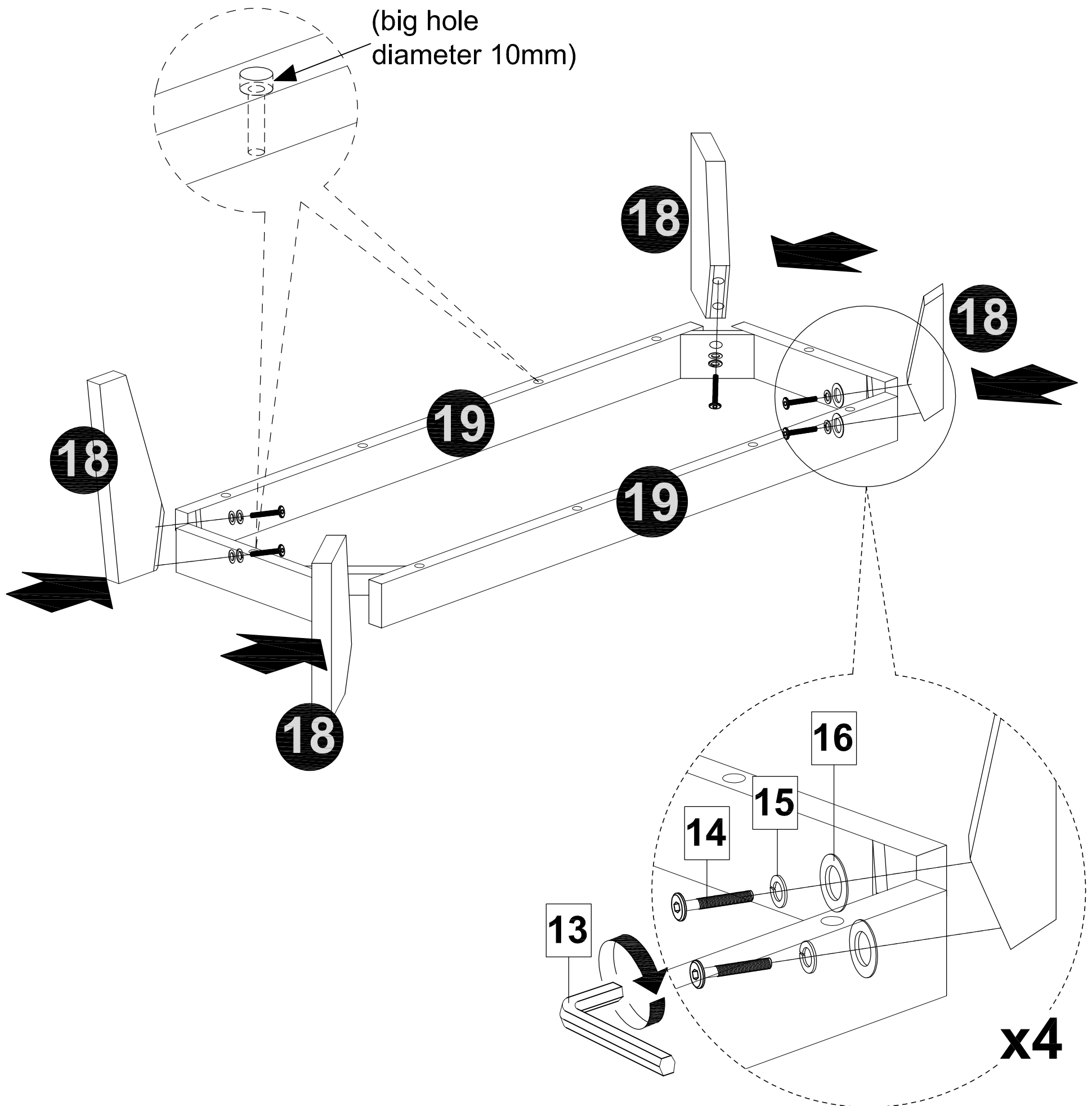
STEP 11



MODEL NAME:

DC 5790-00

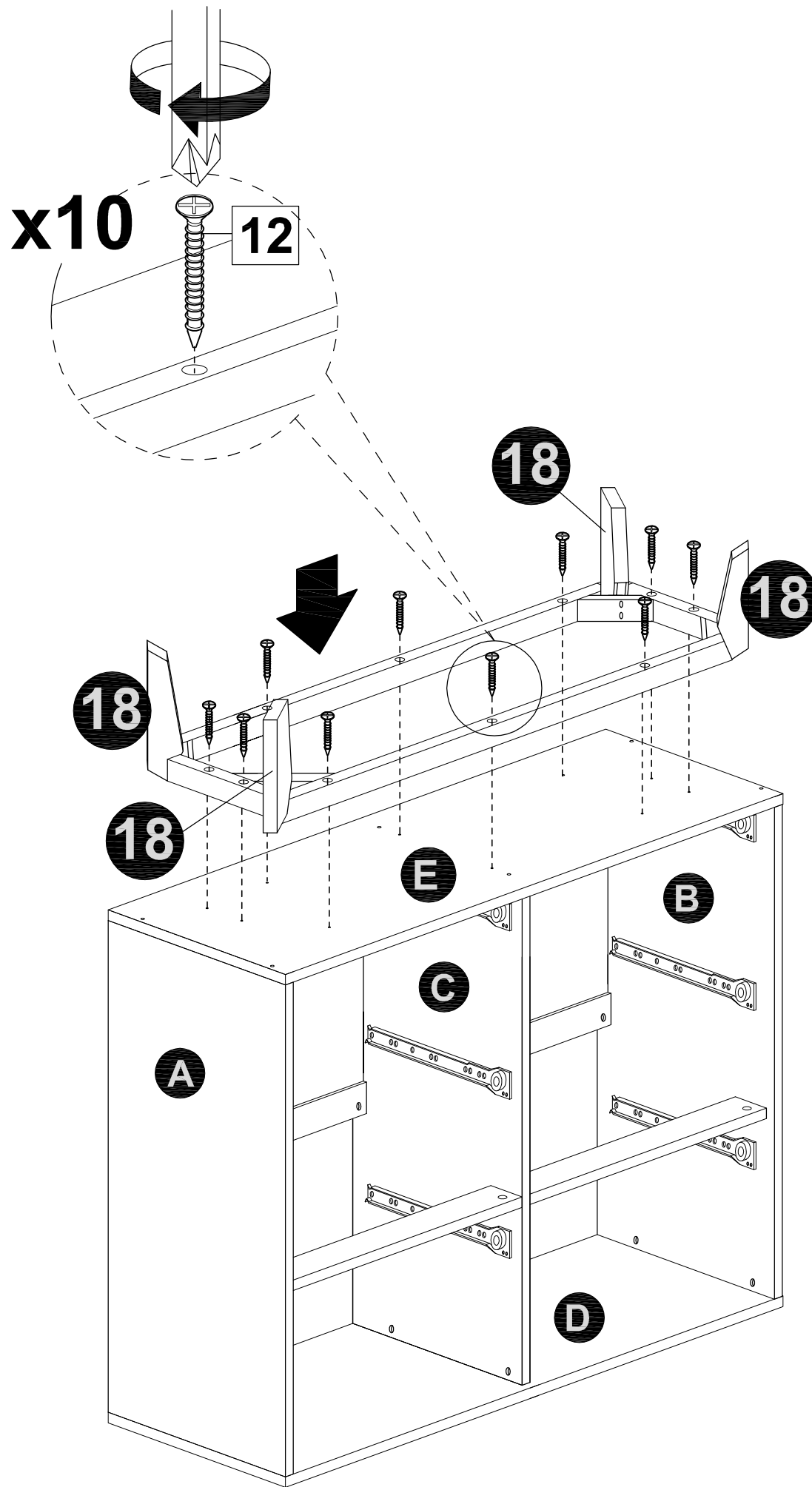
STEP 12



MODEL NAME:

DC 5790-00

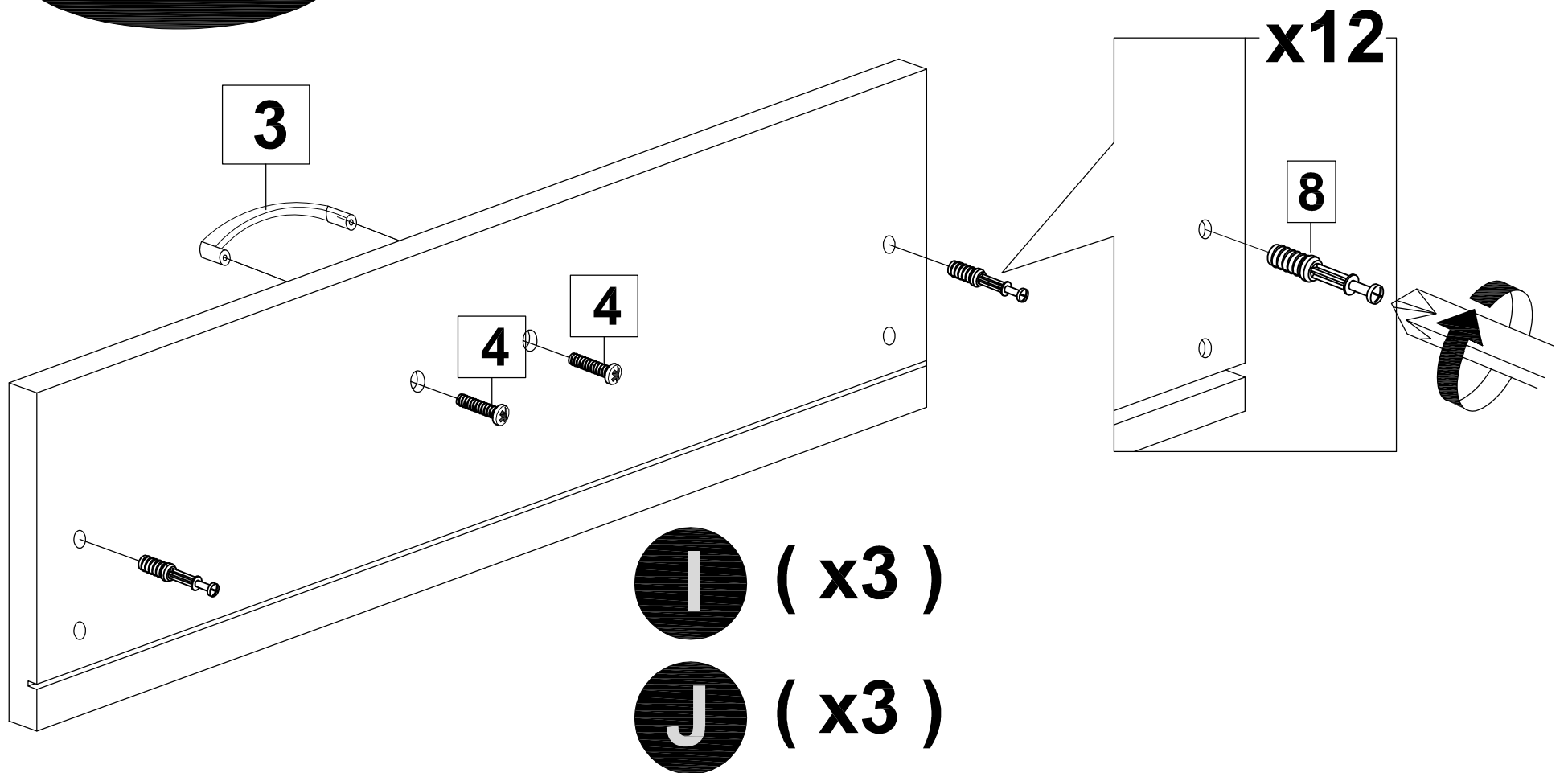
STEP 13



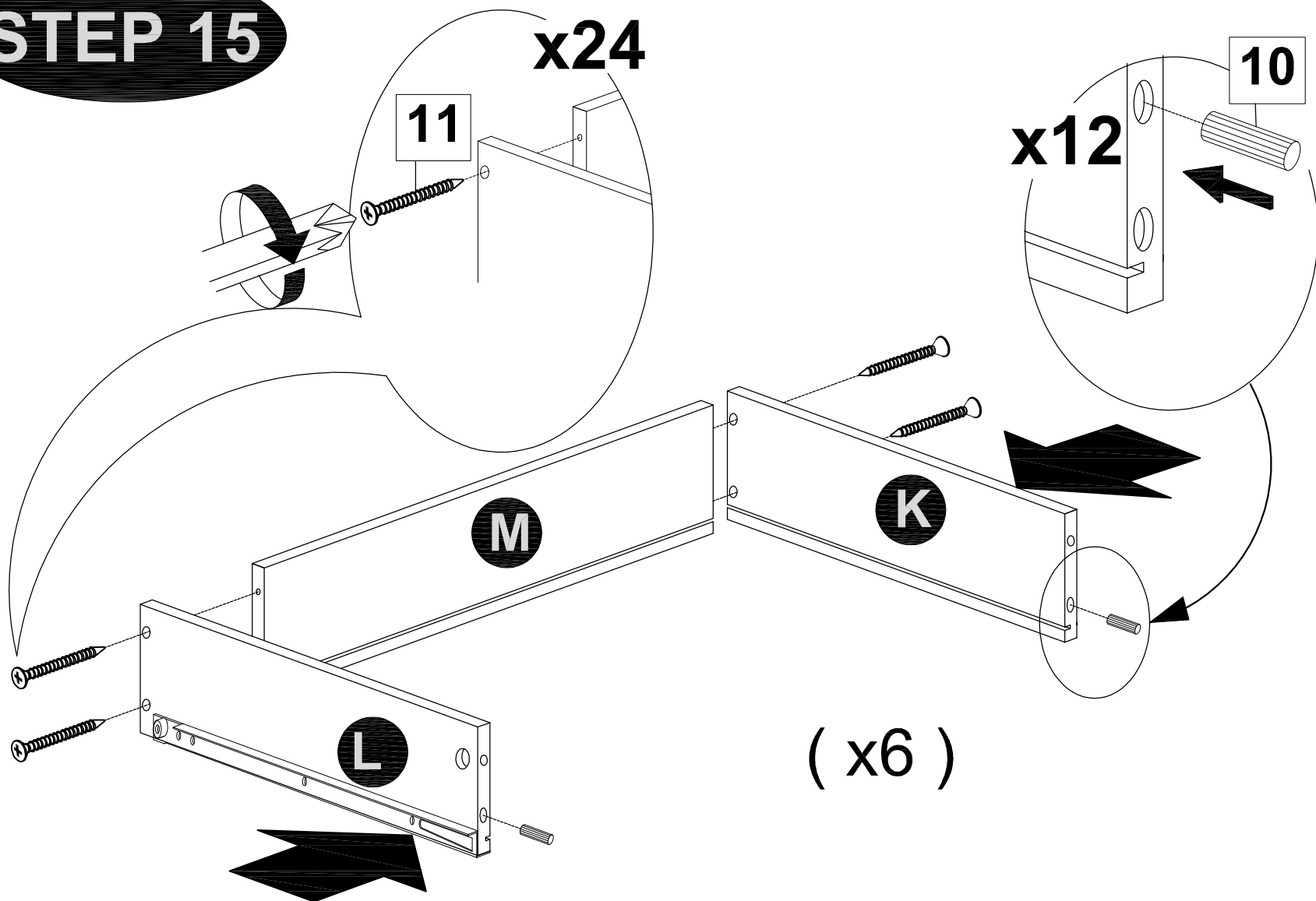
MODEL NAME:

DC 5790-00

STEP 14



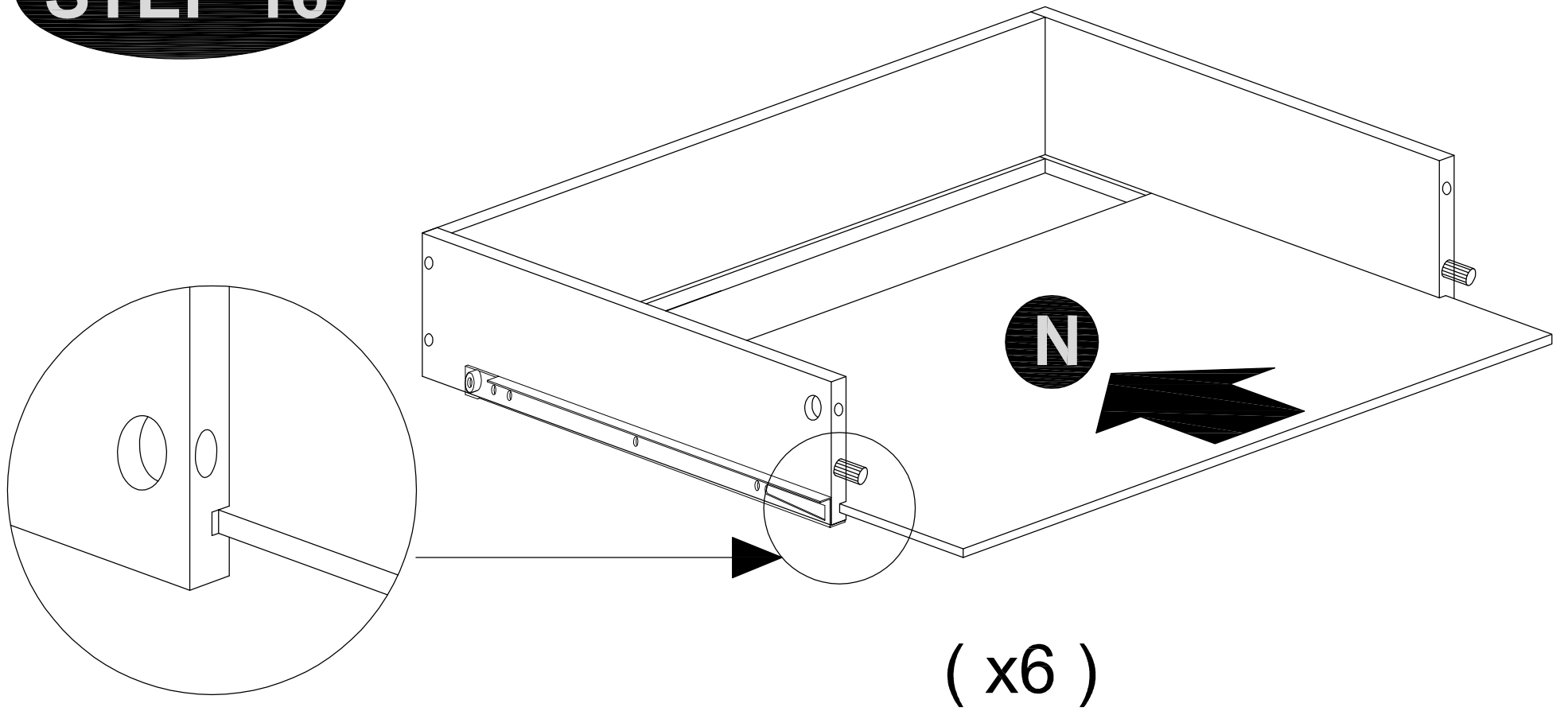
STEP 15



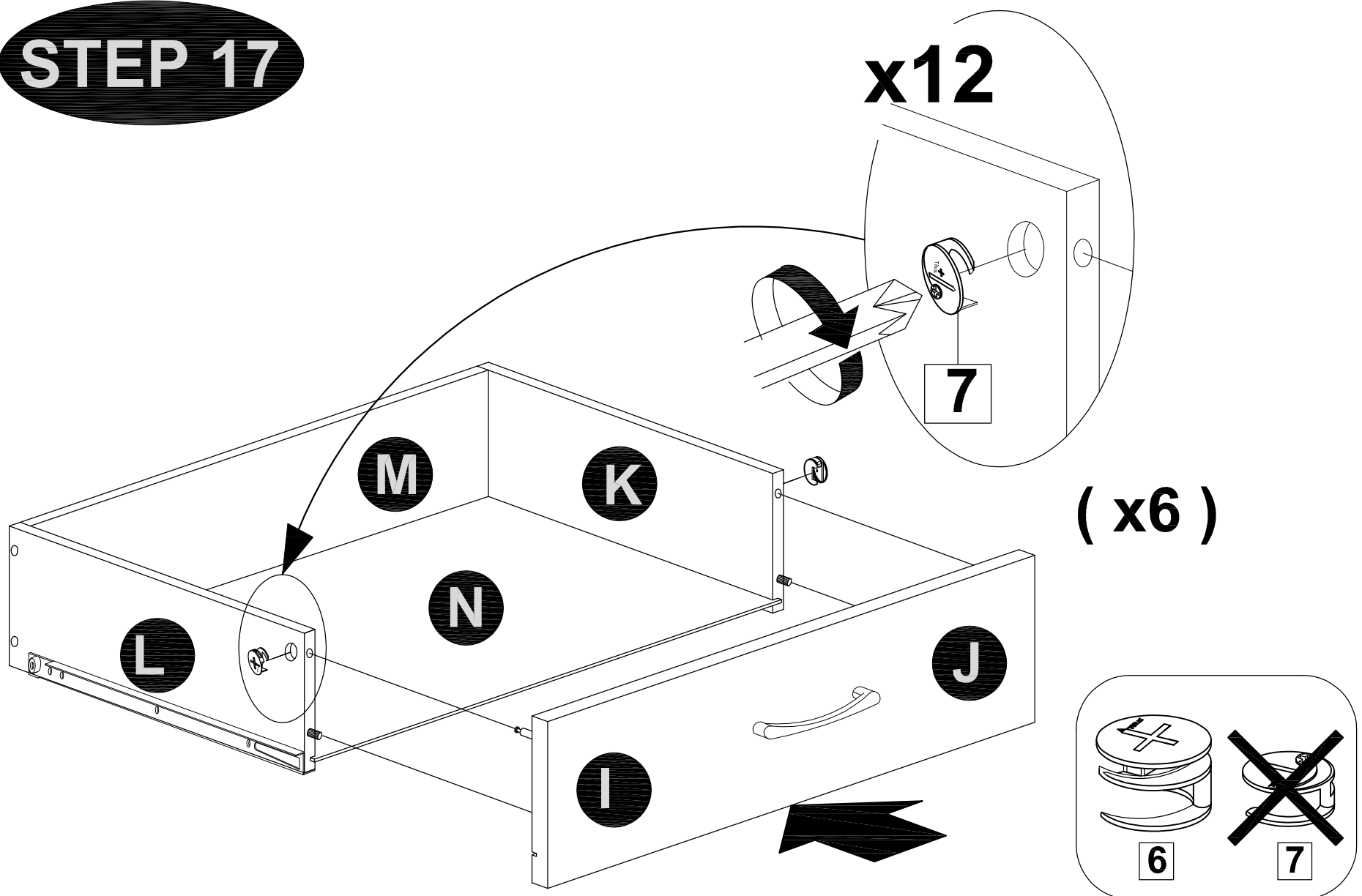
MODEL NAME:

DC 5790-00

STEP 16



STEP 17

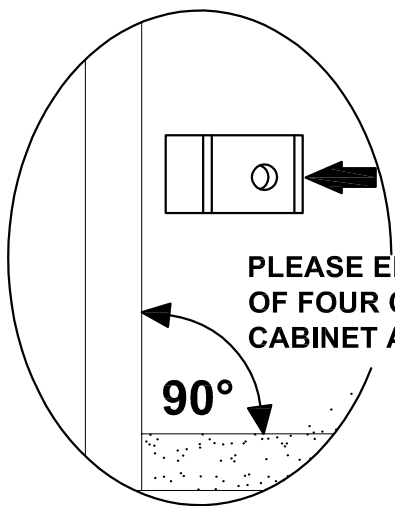
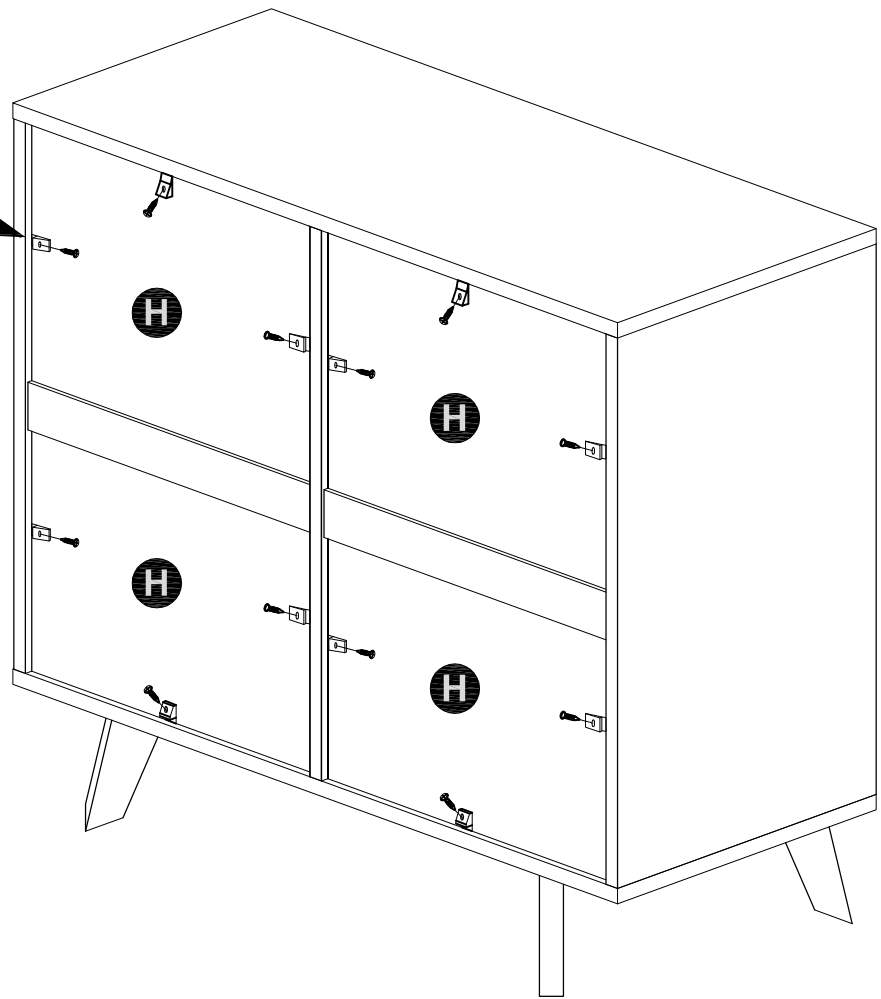
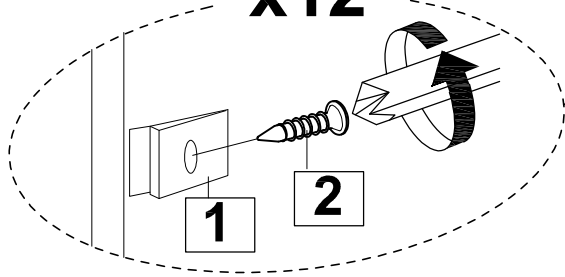


MODEL NAME:

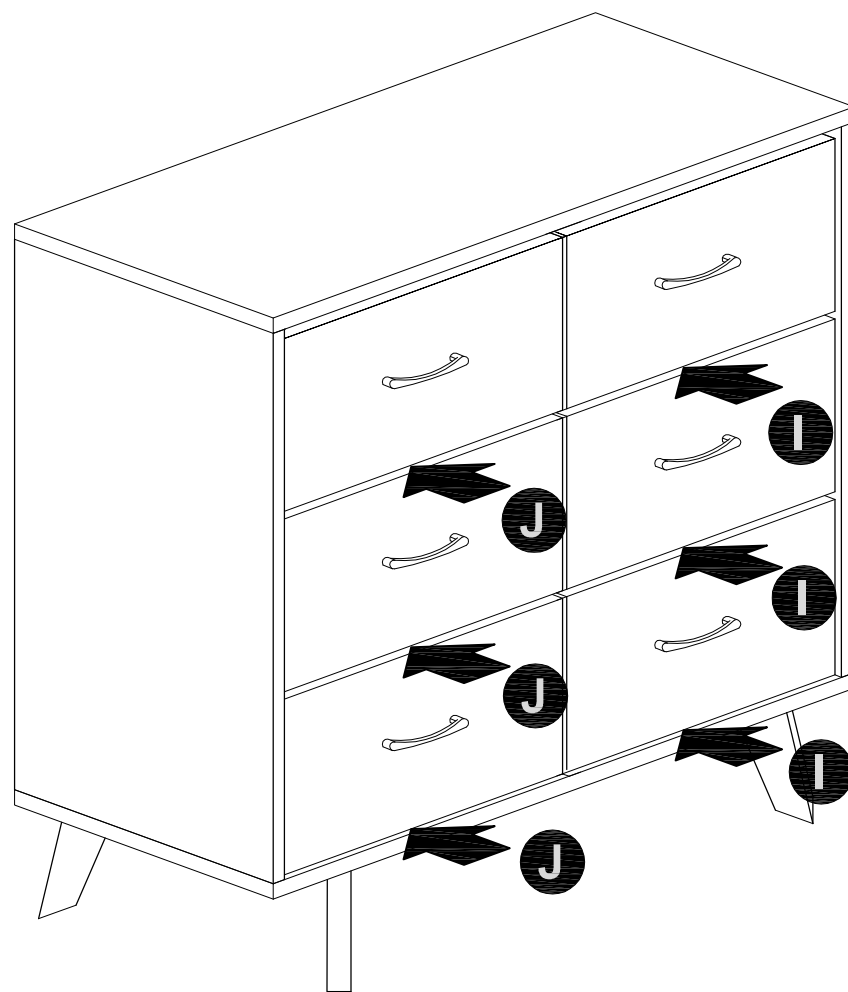
DC 5790-00

STEP 18

x12



STEP 19



MODEL NAME:

DC 5790-00

STEP 20



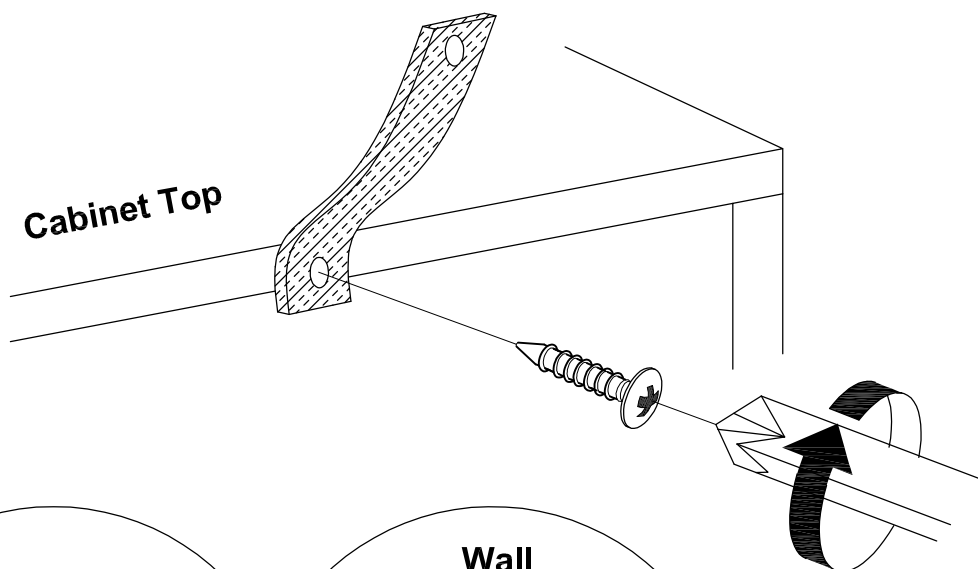
SAFETY WARNING :

It is recommended that you fit the anti-tip bracket to this item to avoid tipping and causing injury.

FITTING OF ANTI-TIP BRACKET

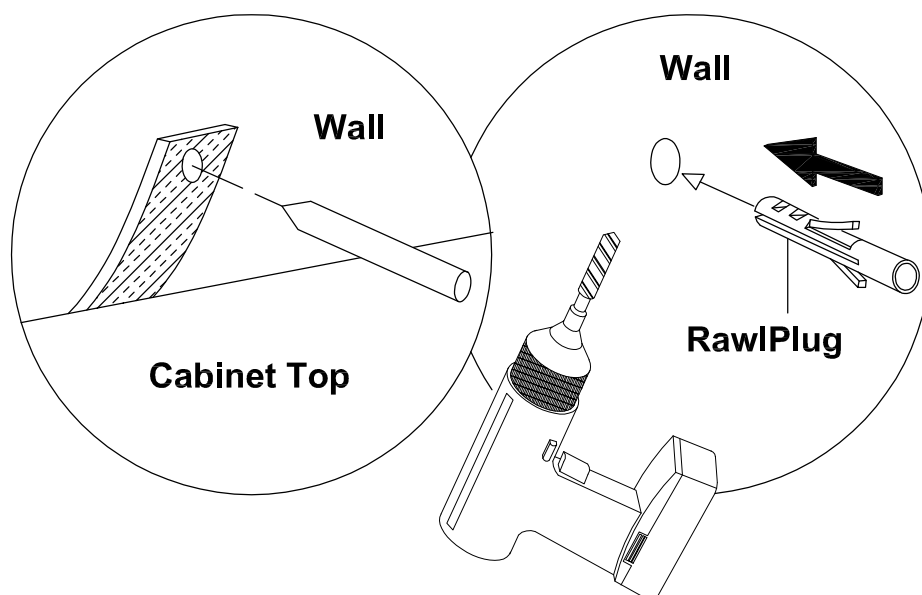
STEP 1 :

Insert screws through bracket into pre-drilled holes in cabinet.



STEP 2 :

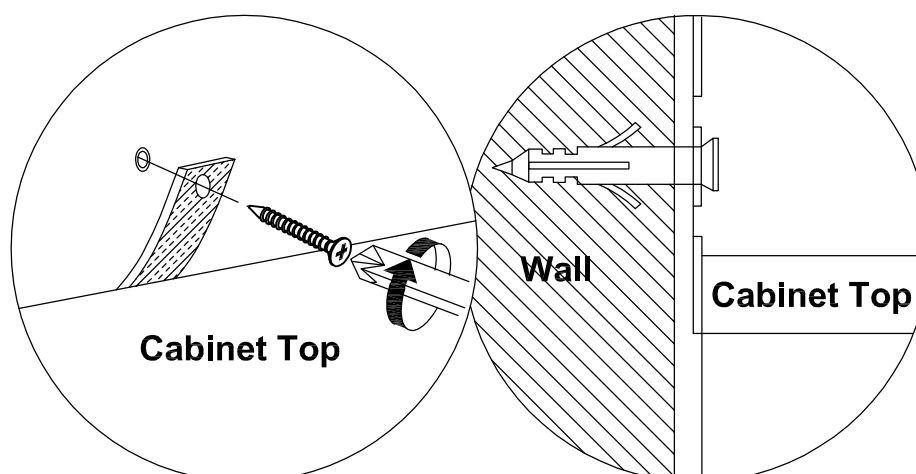
Make a mark on the wall through the bracket.



Drill a hole in the wall and insert the rawlplug.

STEP 3 :

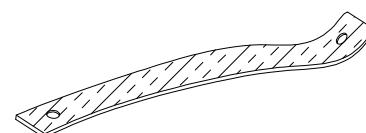
Insert screw through bracket into hole in wall



NOTE : Wall fixings are not supplied with this product as different wall materials require different types of fixing devices (such as Rawl plugs on brick work). You must use fixing devices suitable for the type of wall you intend to mount this product to. Please ensure that the head of any screw used has a diameter greater than the diameter of the mounting hole on the bracket and that the fixing is safe and secure before use.

The screw supplied is to fix the anti-tip strap to the cabinet.

HARDWARE LIST



Anti-Tip Strap - 2pcs



M4 x 16MM - 2pcs