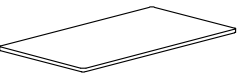
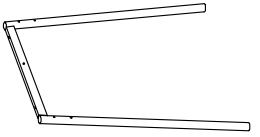
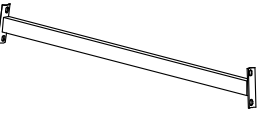
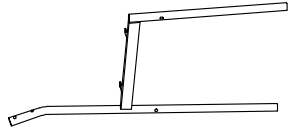
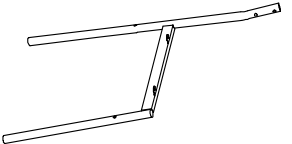




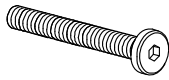

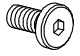

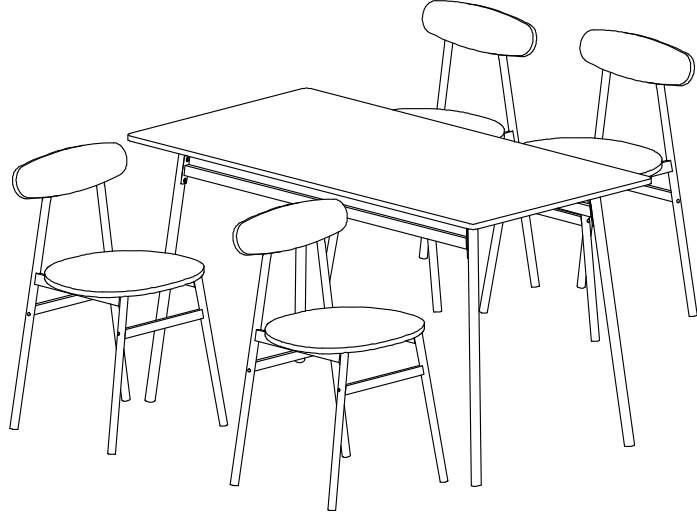


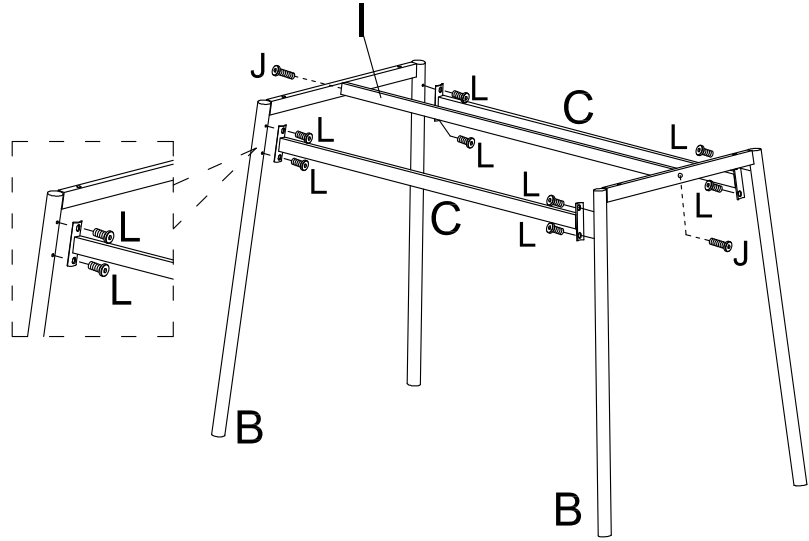
A		1PC	B		2PCS
C		2PCS	D		4PCS
E		4PCS	F		8PCS
G		4PCS	H		4PCS
I		1PC	J		22PCS
K		16PCS	L		24PCS
M		1PC			

ASSEMBLY INSTRUCTION

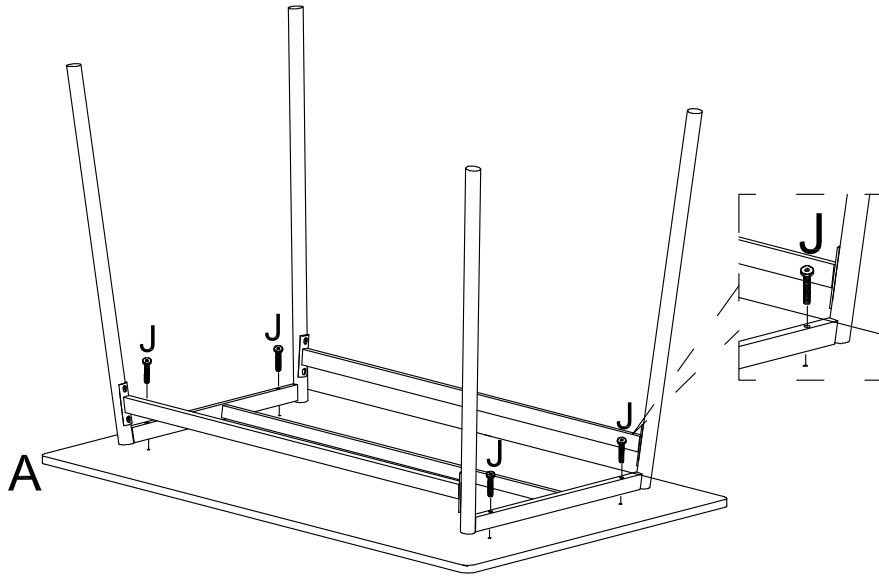
*** DO NOT TIGHTEN SCREWS UNTIL COMPLETELY ASSEMBLED***



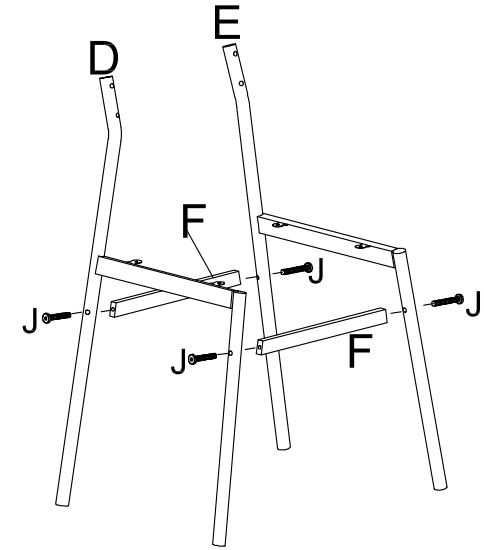
Step 1-Use screws (Part J/L) to connect cross-bars (Part C/I) with table feet(Part B) as table metal frame



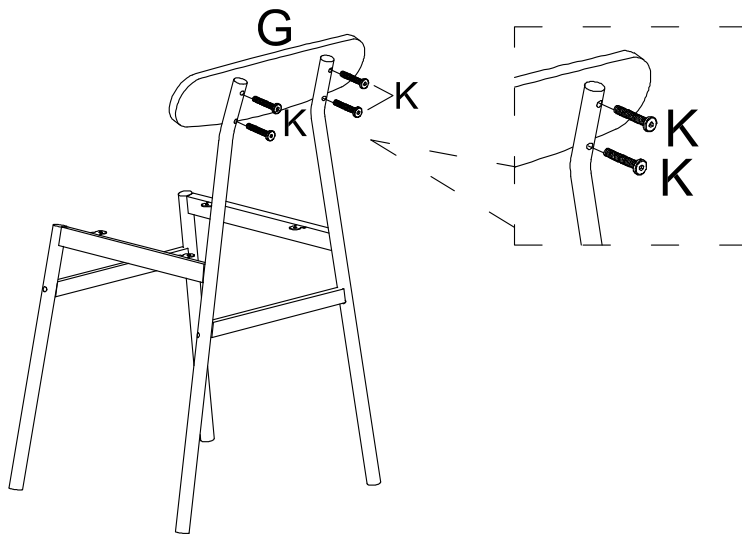
Step 2-Use screws (Part J) to connect the table metal frame to the table top(Part A)



Step 3-Use screws (Part J) to connect chair feet(Part D/E) and cross-bar(Part F) as a metal chair frame



Step 4-Use screws (Part K) to connect Backrest (Part G) to the chair metal frame



Step 5-Use screws (Part L) to connect the chair metal frame to the chair seat (Part H)

