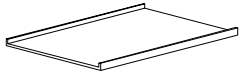
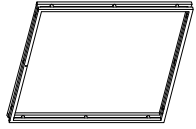


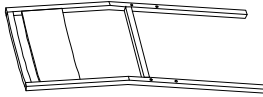
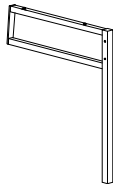
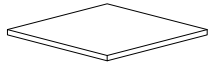
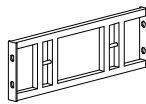
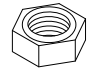
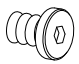
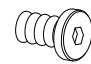
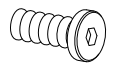
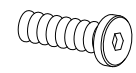
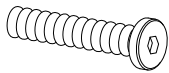


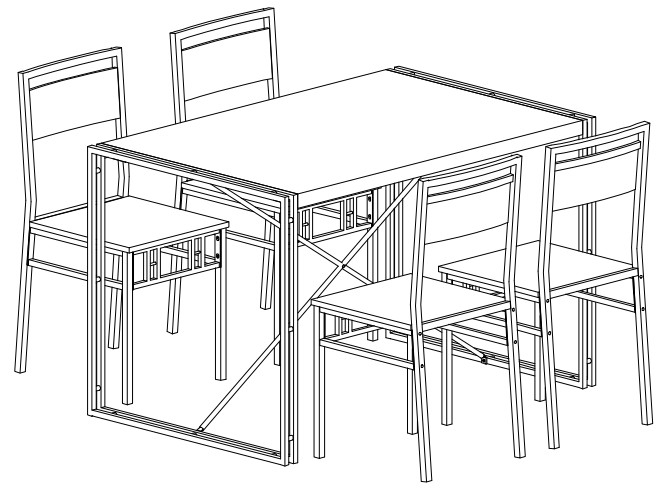
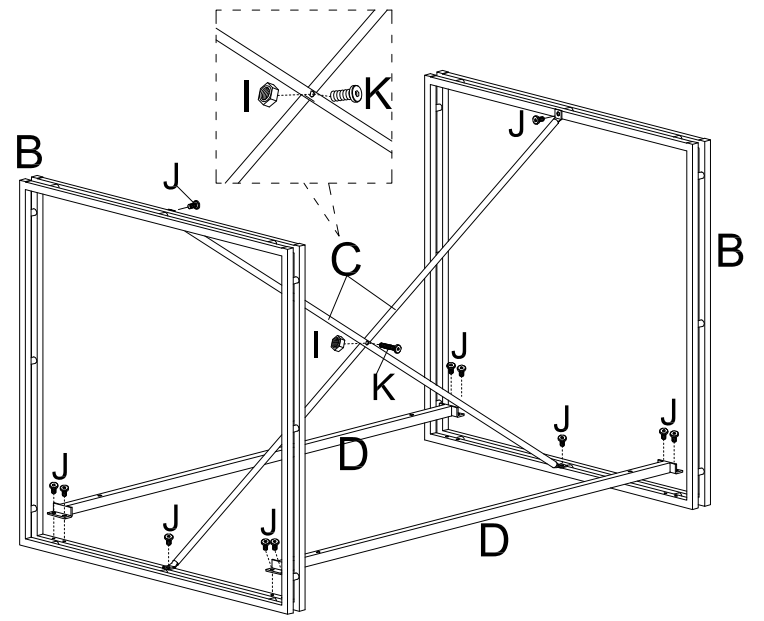


A		1PC	B		2PCS
C		2PCS	D		2PCS
E		4PCS	F		8PCS
G		4PCS	H		4PCS
I		1PC	J		28PCS
K		1PC	L		16PCS
M		4PCS	N		16PCS
O		1PC	P		1PC

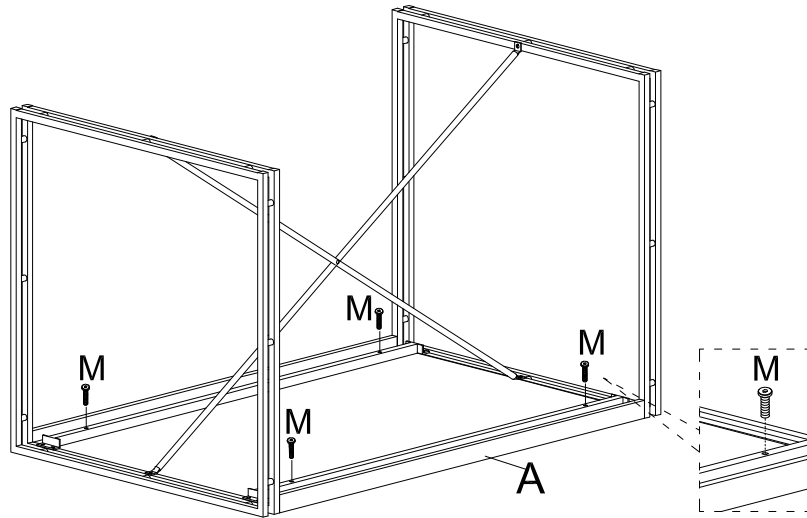
ASSEMBLY INSTRUCTION
***** DO NOT TIGHTEN SCREWS UNTIL COMPLETELY ASSEMBLED*****



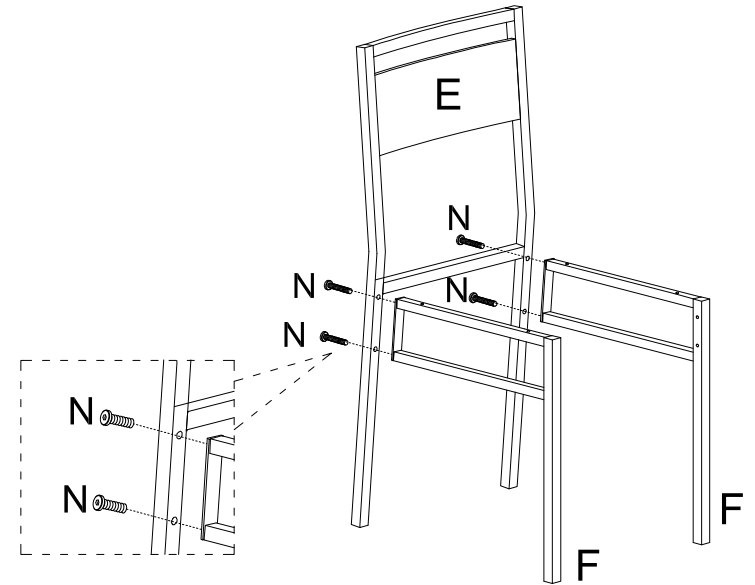
Step 1-Use screw (Part K) and nut (Part I) to connect two bars (Part C) as a "X" shape, and use screws (Part J) to connect X-bars, two metal square frames (Part B) and cross-bars (Part D) as a table metal frame



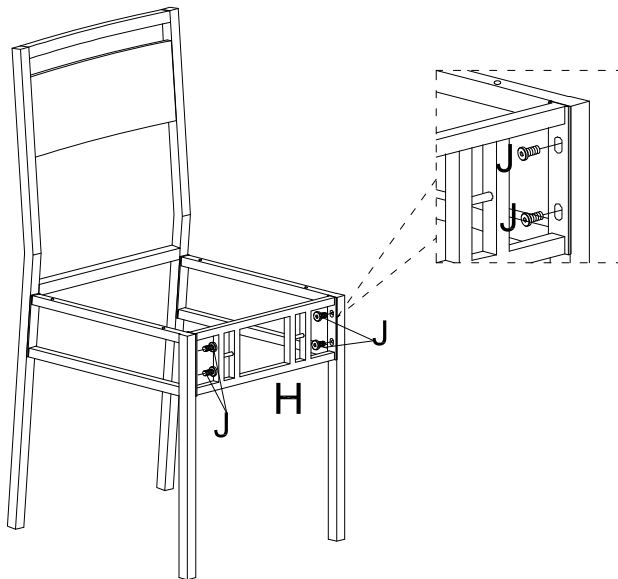
Step 2-Use screws (Part M) to connect the table metal frame to the table top(Part A)



Step 3-Use screws (Part N) to connect chair feet(Part F) and chair feet with a backrest(Part E)



Step 4-Use screws (Part J) to connect chair feet(Part F) and (Part H) as a chair metal frame



Step 5-Use screws (Part L) to connect the chair metal frame to the chair seat (Part G)

