
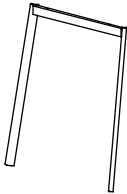

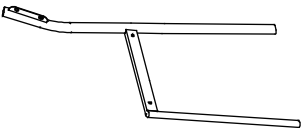
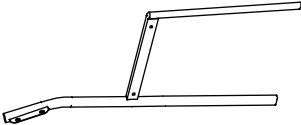

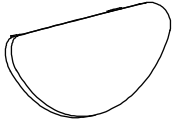
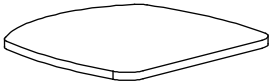
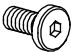


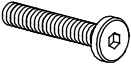



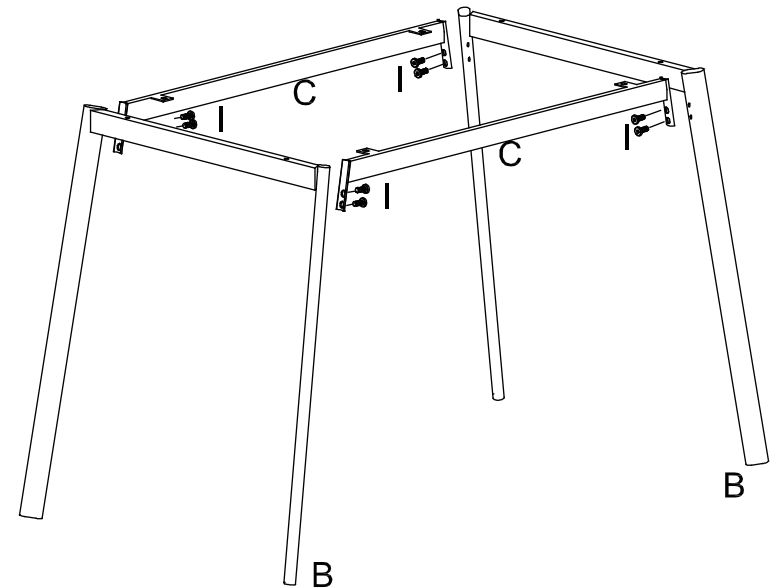
|   |   |       |   |   |       |
|---|---|-------|---|---|-------|
| A |    | 1PC   | B |     | 2PCS  |
| C |    | 2PCS  | D |    | 4PCS  |
| E |    | 4PCS  | F |    | 8PCS  |
| G |    | 4PCS  | H |    | 4PCS  |
| I |  | 28PCS | J |  | 16PCS |
| K |  | 4PCS  | L |  | 16PCS |
| M |  | 1PC   |   |   |       |

## ASSEMBLY INSTRUCTION

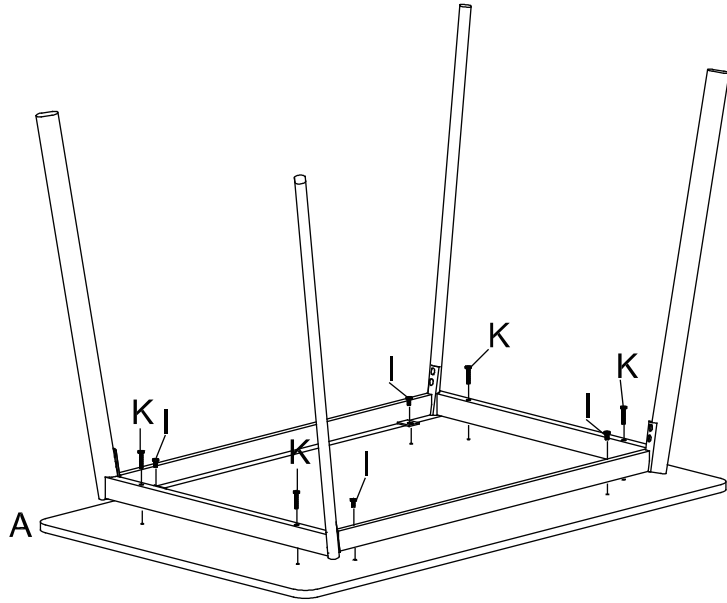
\*\*\* DO NOT TIGHTEN SCREWS UNTIL COMPLETELY ASSEMBLED\*\*\*



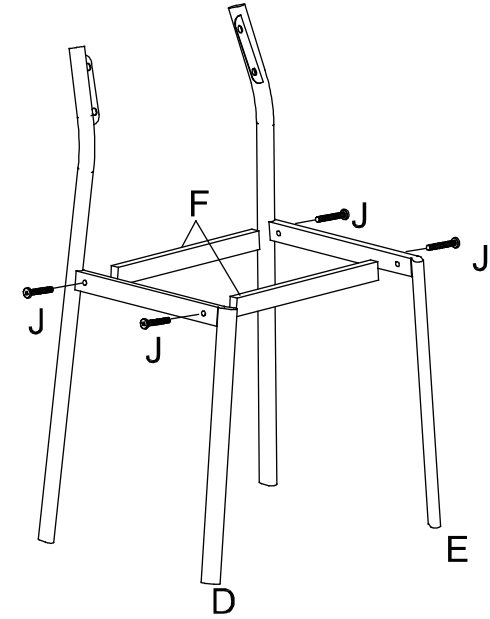
Step 1-Use screws (Part I) to connect table feet (Part B) and cross-bar (Part C) as a table metal frame



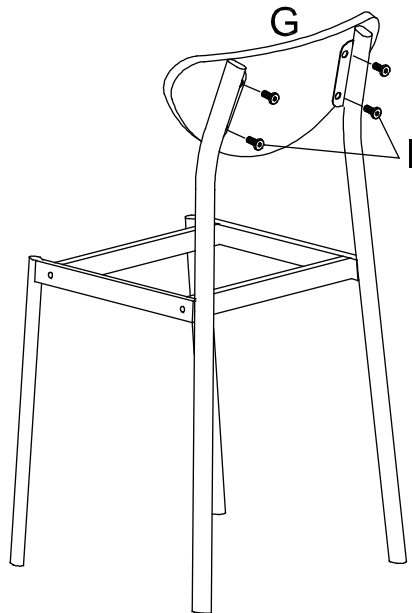
Step 2-Use screws (Part K) to connect the table metal frame to the table top(Part A)



Step 3-Use screws (Part J) to connect chair feet(Part D/E) and cross-bar( Part F) as a metal chair frame



Step 4-Use screws (Part I) to connect Backrest (Part G) to the chair metal frame



Step 5-Use screws (Part L) to connect the chair metal frame to the chair seat (Part H)

