

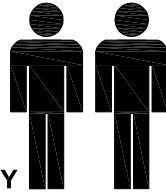
**MODEL NAME:**

**CT 2712-01**

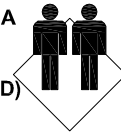
**90min**

**APPROXIMATE ASSEMBLY TIME**

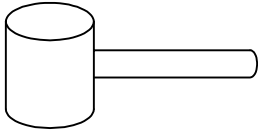
**2 PEOPLE FOR ASSEMBLY**



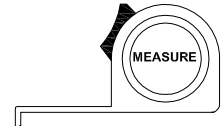
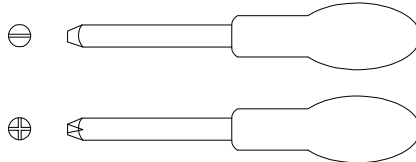
**FLOOR AREA  
2.0M X 2.0M  
( FLAT BUILD)**



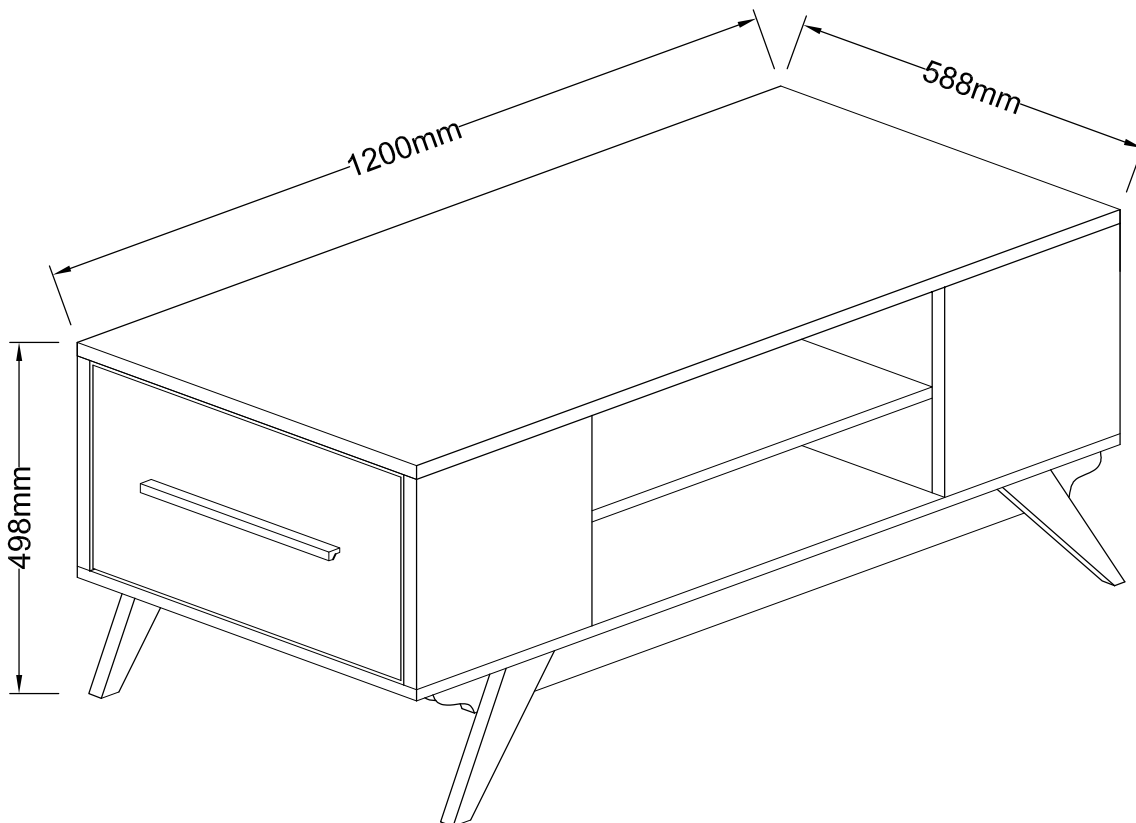
**REQUIRED ASSEMBLY SPACE**



**REQUIRED ASSEMBLY TOOLS**



**ASSEMBLED DIMENSIONS**



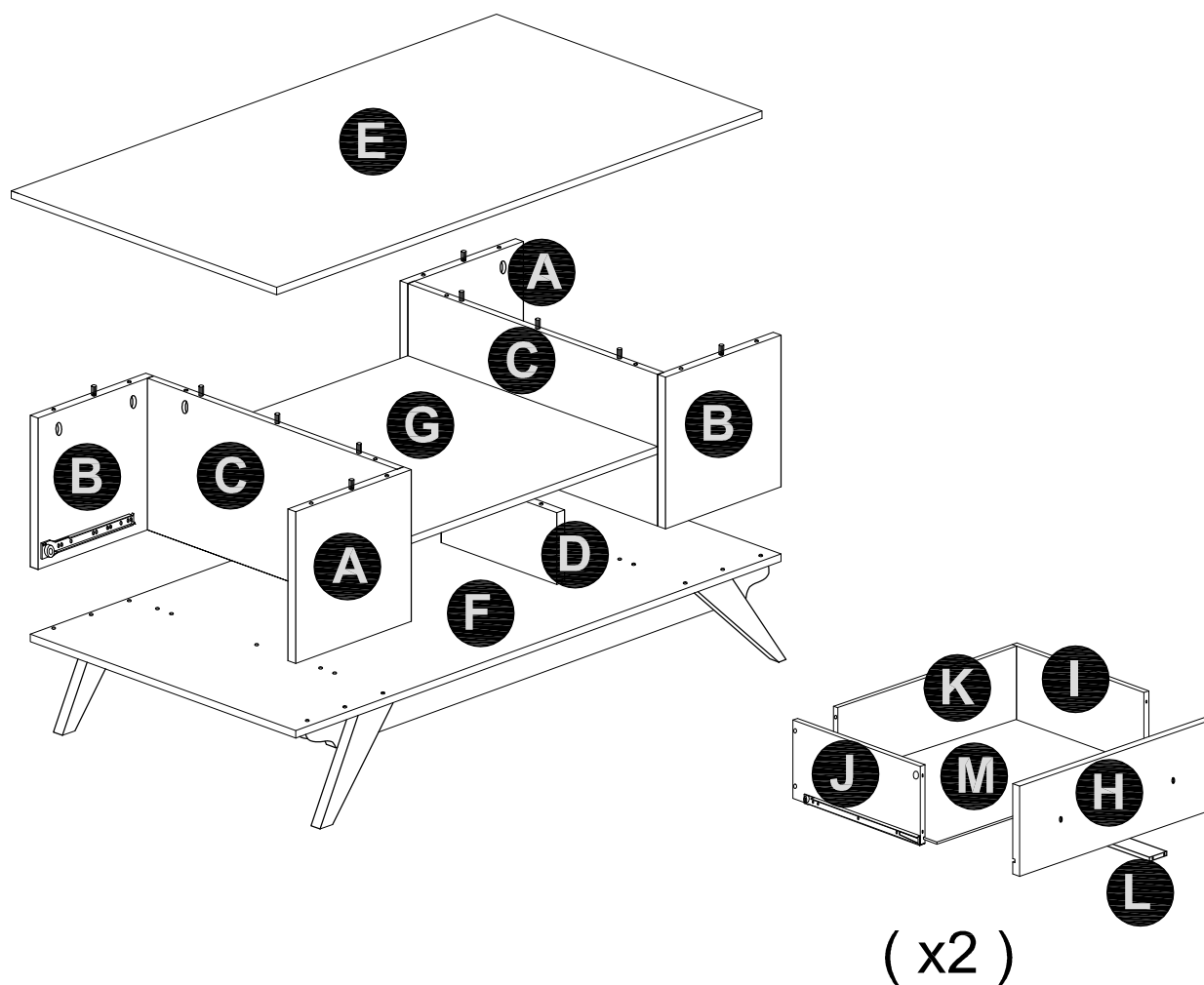
**NOTE : THE MAXIMUM WEIGHT THIS PRODUCT CAN HOLD UP TO IS 25 KGS.**

**MODEL NAME:**

**CT 2712-01**

<b>NO.</b>	<b>PART LIST</b>	<b>QTY</b>	<b>NO.</b>	<b>PART LIST</b>	<b>QTY</b>
(A)	SIDE PANEL RIGHT	2	(H)	DRAWER FRONT	2
(B)	SIDE PANEL LEFT	2	(I)	DRAWER SIDE (RIGHT)	2
(C)	CENTRE PANEL	2	(J)	DRAWER SIDE (LEFT)	2
(D)	MIDDLE PANEL	1	(K)	DRAWER BACK PANEL	2
(E)	TOP PANEL	1	(L)	DRAWER BOTTOM SUPPORT	2
(F)	BOTTOM PANEL	1	(M)	DRAWER BASE	2
(G)	FIXED PANEL	1			

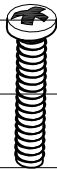



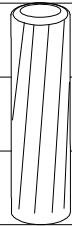


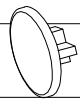
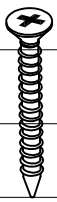

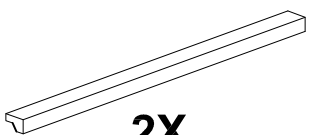
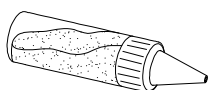


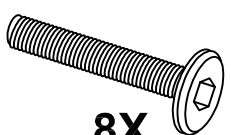


**PARTS LIST**



MODEL NAME:

CT 2712-01

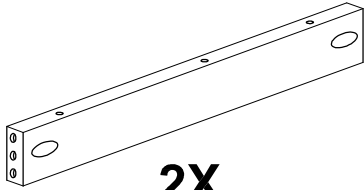
HARDWARE LIST

					3cm 2cm 1cm 0cm
<b>4X</b> M4 x 19mm <b>1</b> PAN HEAD BOLT	<b>12X</b> M3.5 x 25mm <b>2</b> FLAT HEAD SCREW	<b>18X</b> Dia.15mm <b>3</b> CAM-LOCK	<b>22X</b> M6.5 <b>4</b> CAM BOLT	<b>36X</b> Dia.6 x 30mm <b>5</b> WOOD DOWEL	
					4cm 3cm 2cm 1cm 0cm
<b>14X</b> M8 x 38mm <b>6</b> FLAT HEAD SCREW	<b>4X</b> Dia.15mm <b>7</b> SMALL CAM-LOCK	<b>2X</b> Dia 17mm <b>8</b> UNIVERSAL CAP (OPTIONAL)	<b>12X</b> M8 x 32mm <b>9</b> FLAT HEAD SCREW	<b>1X</b> M4 <b>10</b> ALLEN KEY	
					
<b>2X</b> <b>11</b> HANDLE	<b>2X</b> <b>12</b> GLUE 10CC	<b>8X</b> Dia.8 x 30mm <b>13</b> WOOD DOWEL	<b>18X</b> M8 x 50mm <b>14</b> FLAT HEAD SCREW		
					
<b>8X</b> M5 x 40mm <b>15</b> ALLEN HEAD BOLT	<b>8X</b> Ø12 x 1mm <b>16</b> SPRING WASHER	<b>8X</b> Ø12 x 0.5mm <b>17</b> FLAT WASHER			

**MODEL NAME:**

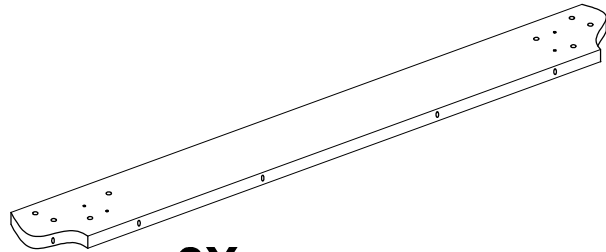
**CT 2712-01**

**HARDWARE LIST**



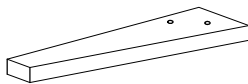
**2X**  
**18**

**SIDE PROFILE**  
474 x 45 x 20 mm



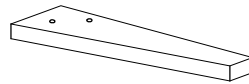
**2X**  
**19**

**FRONT PROFILE**  
1148 x 70 x 20 mm



**2X**  
**20**

**RIGHT LEG PROFILE**  
300 x 70 x 28 mm



**2X**  
**21**

**LEFT LEG PROFILE**  
300 x 70 x 28 mm

**MODEL NAME:**

**CT 2712-01**

### **Top Tips before you start!**

1. Please check that all parts are present before you start the assembly of your furniture.
2. For ease and speed of assembly, we recommend that before you commence each step of the assembly, that you identify all the parts required for that step.
3. For larger items, please ensure that you have sufficient space and people ( as indicated on page 1 ) to assemble your product safely
4. We recommend that, where possible, all items are assembled near to the area in which they will be placed in use, to avoid moving the product unnecessarily once assembled.
5. For the protection of your furniture, particularly items of high gloss finish, we recommend that the product is placed on a protected surface during assembly to prevent any damage.
6. Caution - Electric / Battery operated screw driver NOT RECOMMENDED.
7. During assembly please take care not to over-tighten any fittings, as this may damage the product.
8. Always place the product on a flat, steady and stable surface.
9. Do not sit or stand on the product.  
Do not use the product as a stepladder.
10. This product is intended for indoor, household use only as it is non industrial product.
11. This product is constructed from re-inforced hollow board. Excessive pressure cause irreparable damage. Please do not kneel on any part of this product during assembly.

### **Care and Maintenance of your Furniture**

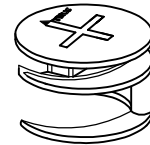
- Please periodically check all fittings and re-tighten as necessary.
- To clean your item, please use a damp cloth and wipe clean.
- Never allow any kind of liquid to remain on your furniture.
- Please do not place hot items (e.g. hot drinks ) directly on to the wood surface.
- Please do not drag and pull your furniture.

MODEL NAME:

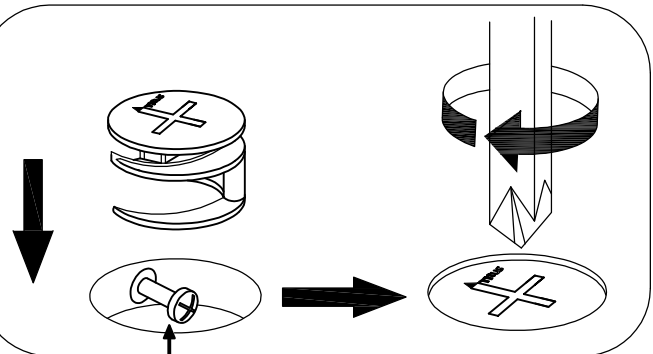
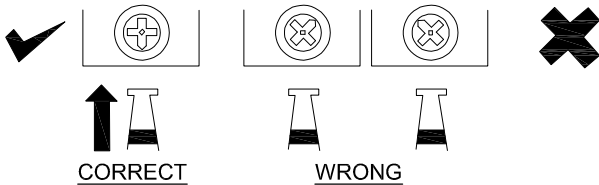
CT 2712-01

## SPECIAL TIPS FOR FITTING CAM-LOCKS AND QUICKFIT

CAM-LOCK

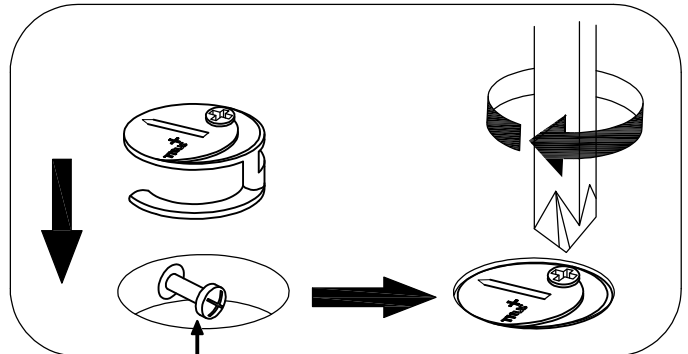


WHEN FITTING CAMLOCK  
ENSURE STARTING POSITION IS CORRECT  
BEFORE YOU INSERT CONNECTING QUICKFIT  
TURN CLOCKWISE UNTIL SECURE



Quickfit head needs to be in centre

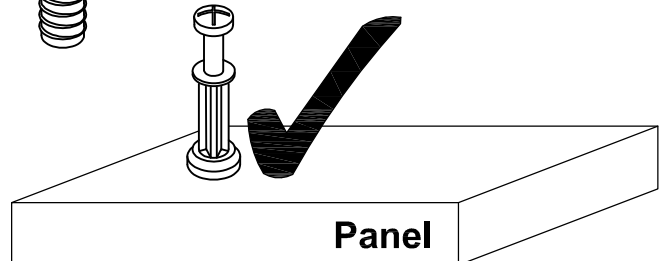
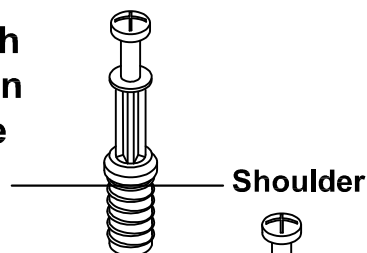
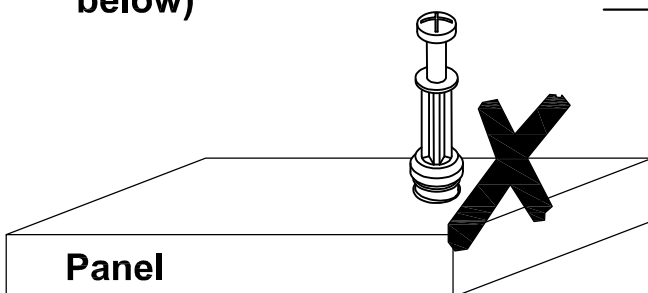
DRAWER  
CAM-LOCK



Quickfit head needs to be in centre

QUICKFIT

Tighten until shoulder is flush with panel. Do not overtighten or undertighten (see example below)

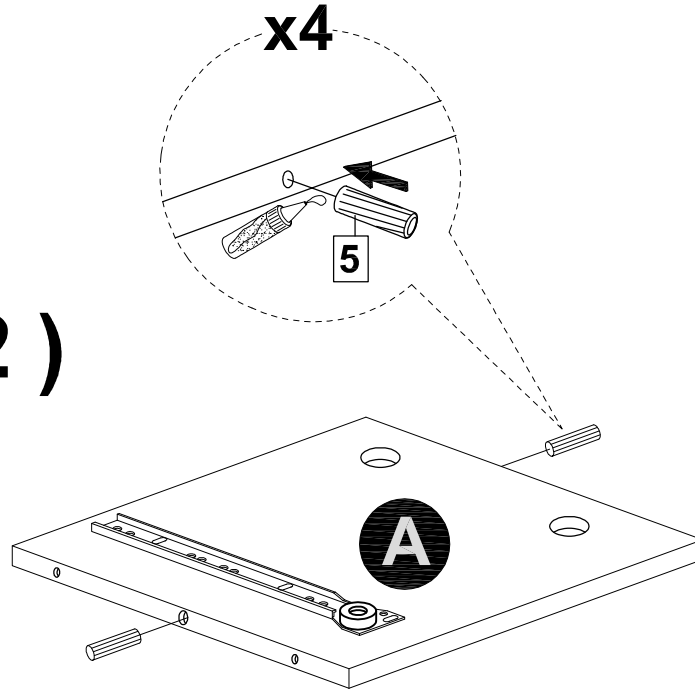


MODEL NAME:

CT 2712-01

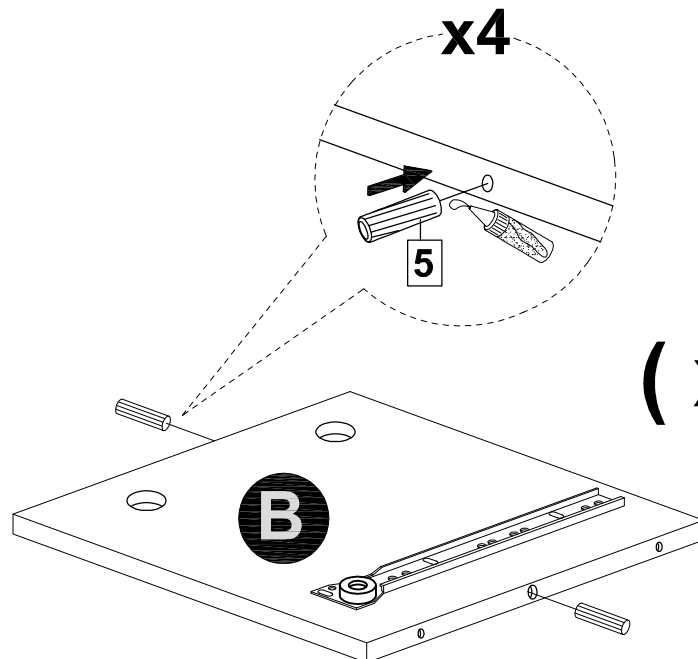
**STEP 1**

**( x2 )**



**STEP 2**

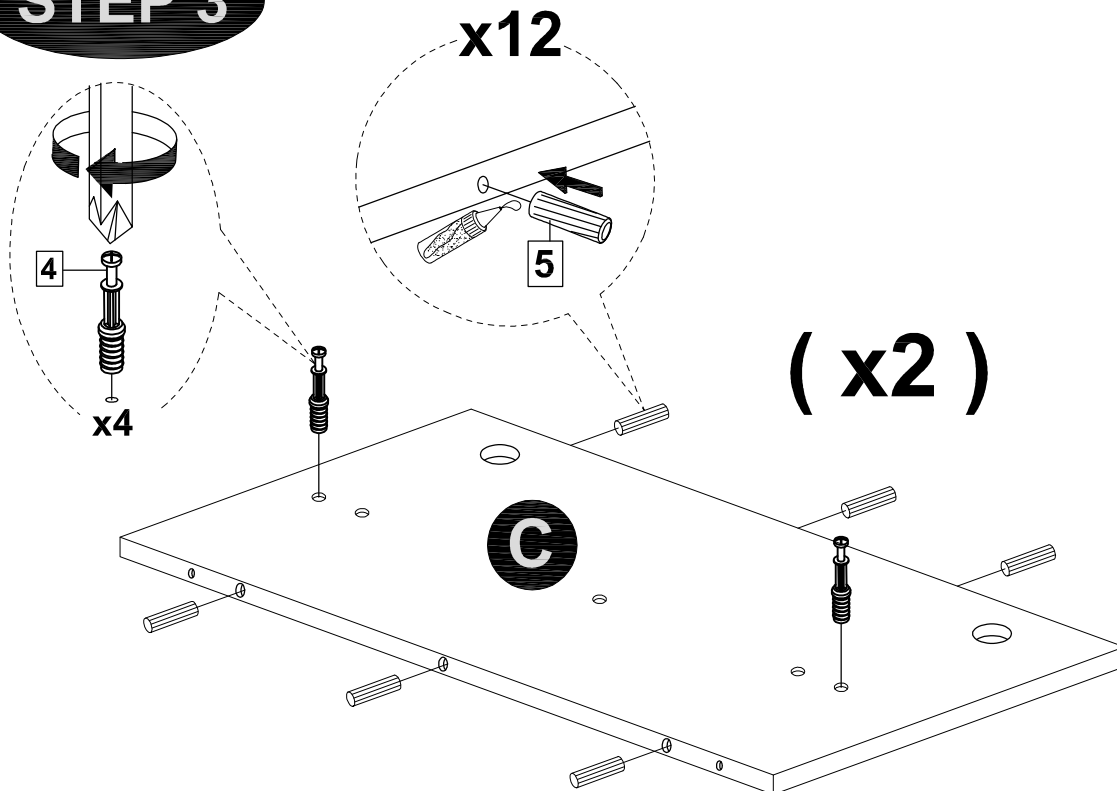
**( x2 )**



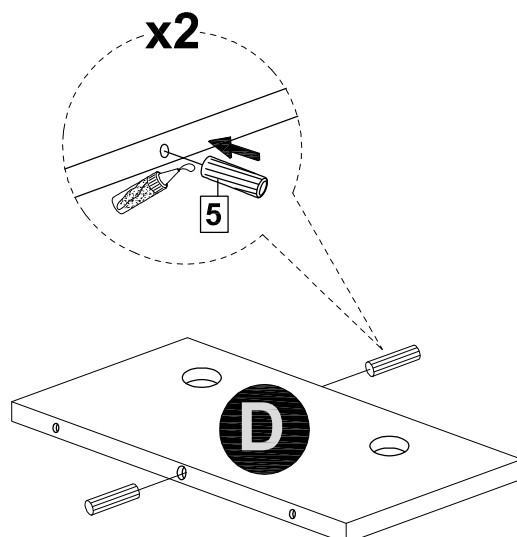
MODEL NAME:

CT 2712-01

**STEP 3**



**STEP 4**

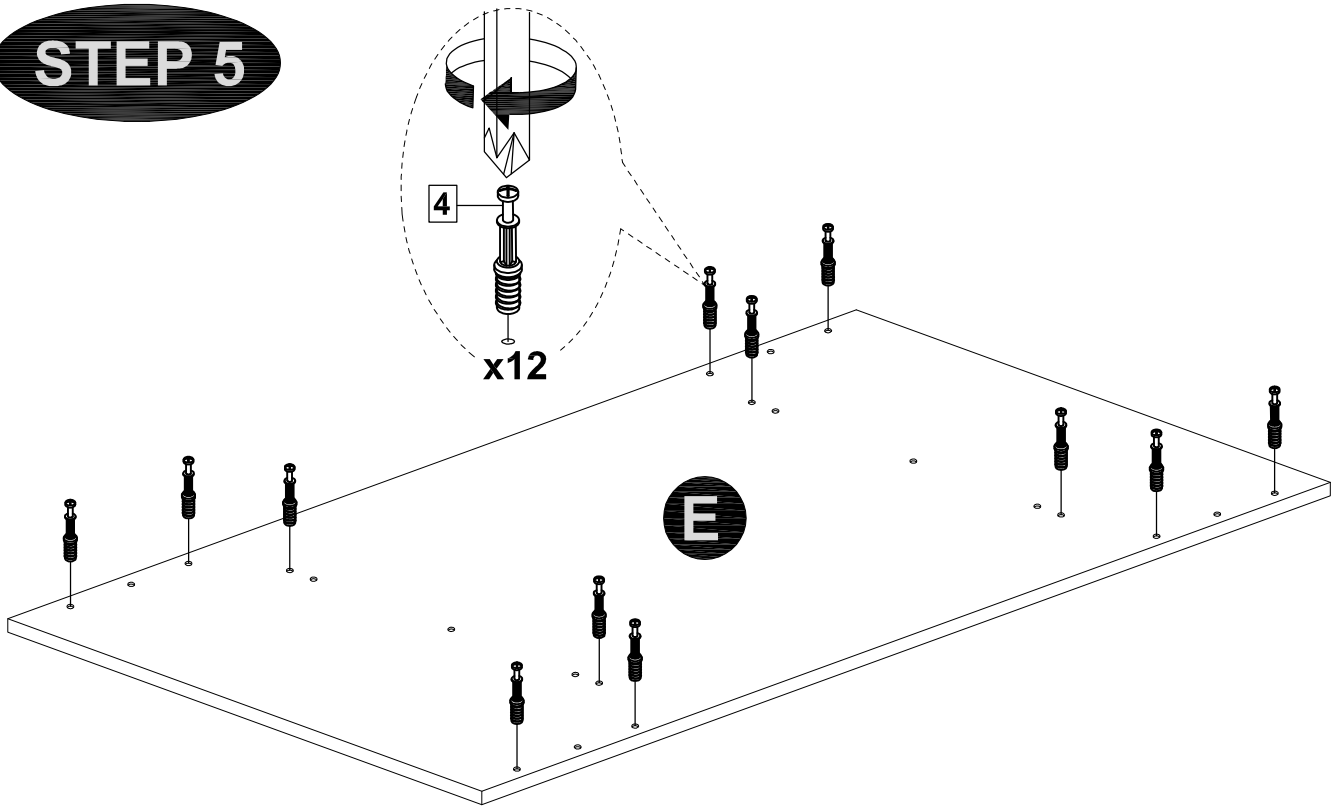




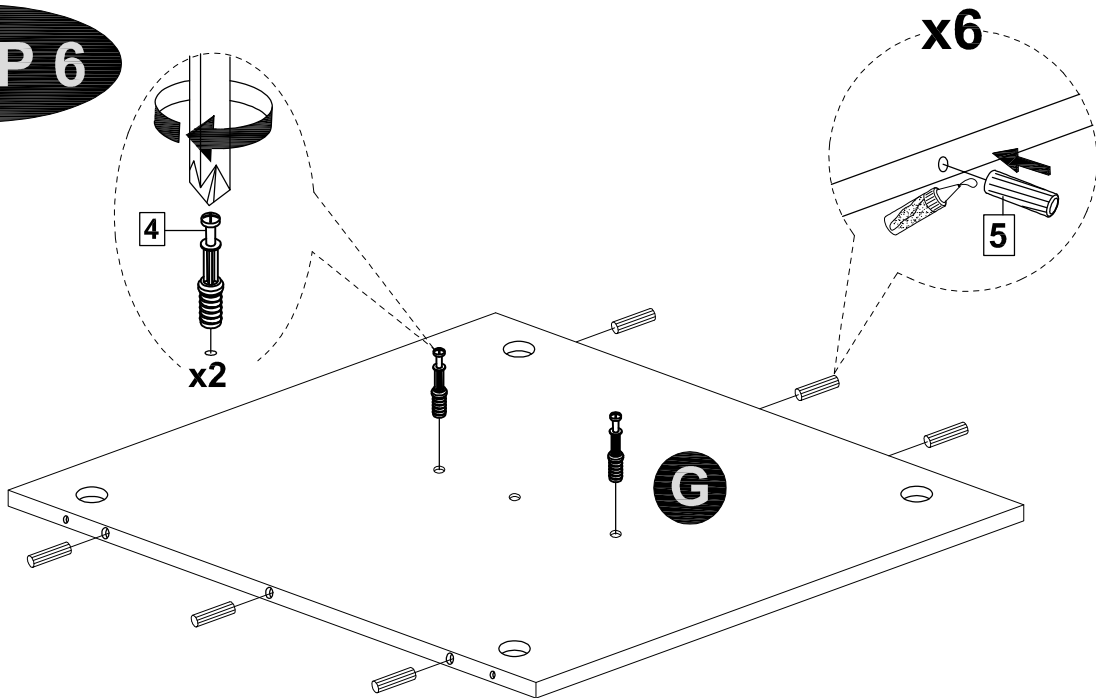
MODEL NAME:

CT 2712-01

**STEP 5**



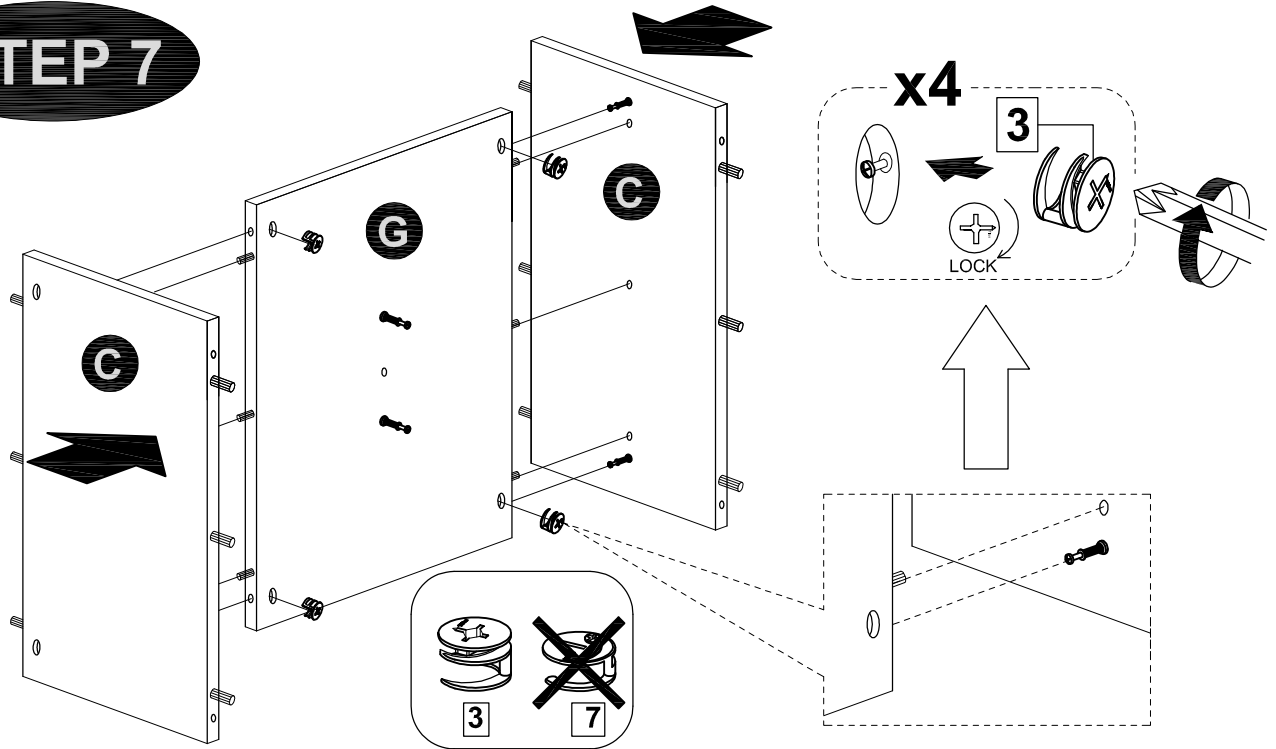
**STEP 6**



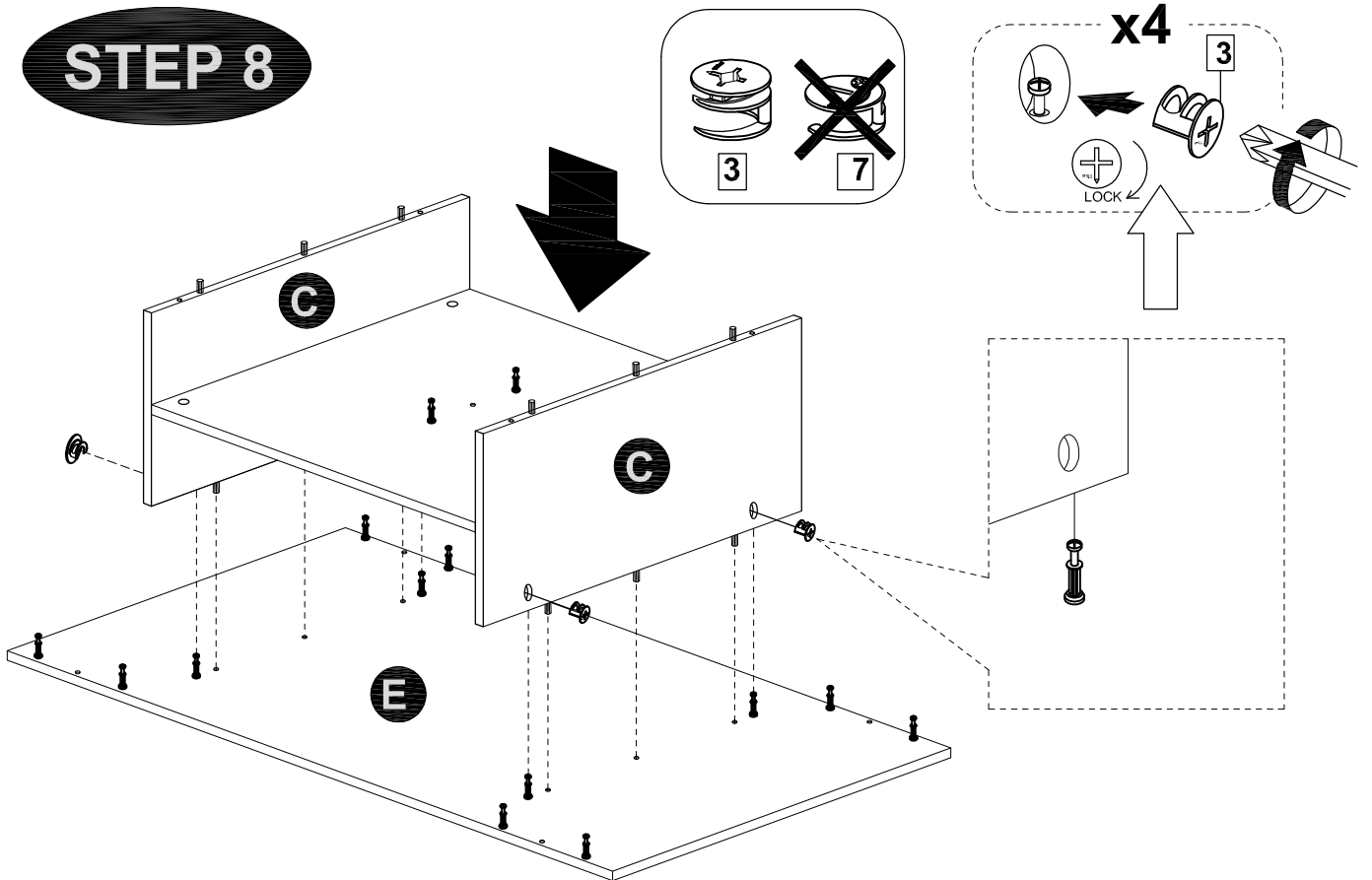
MODEL NAME:

CT 2712-01

**STEP 7**



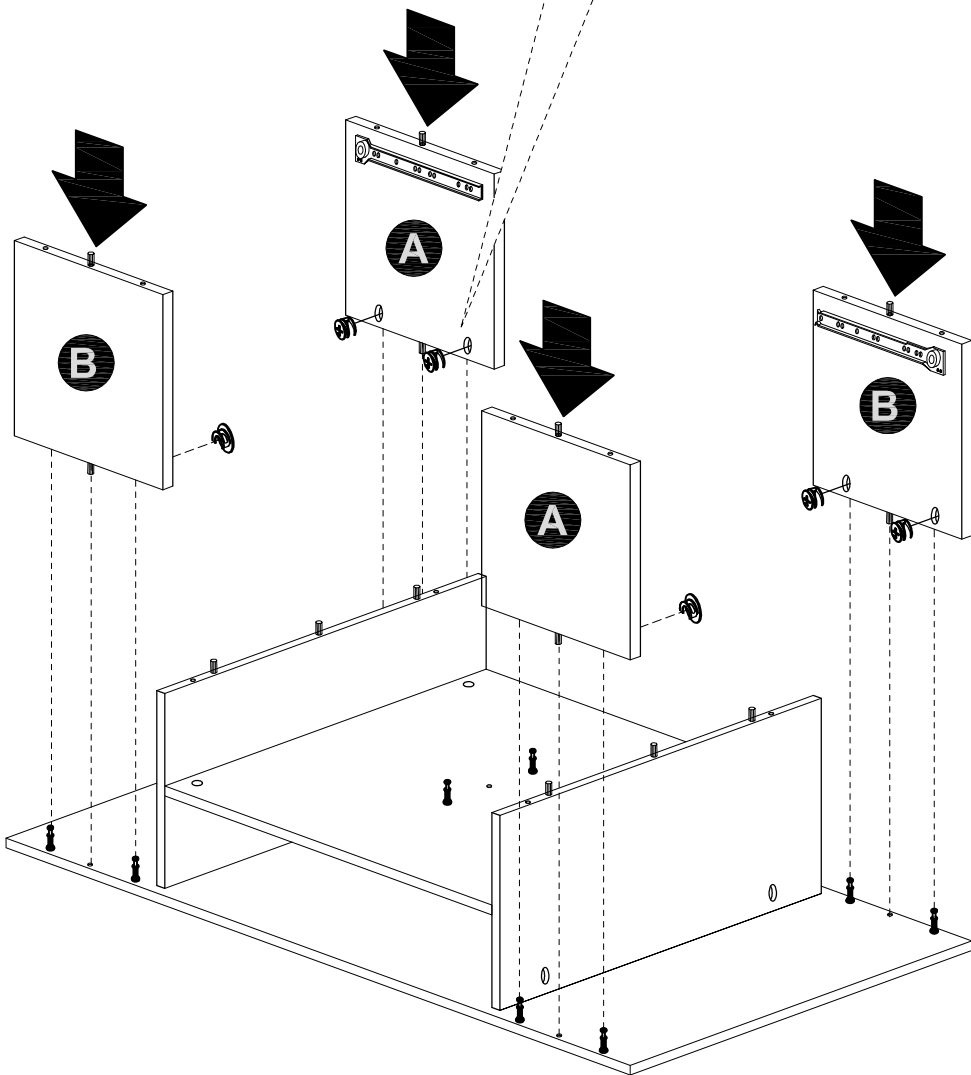
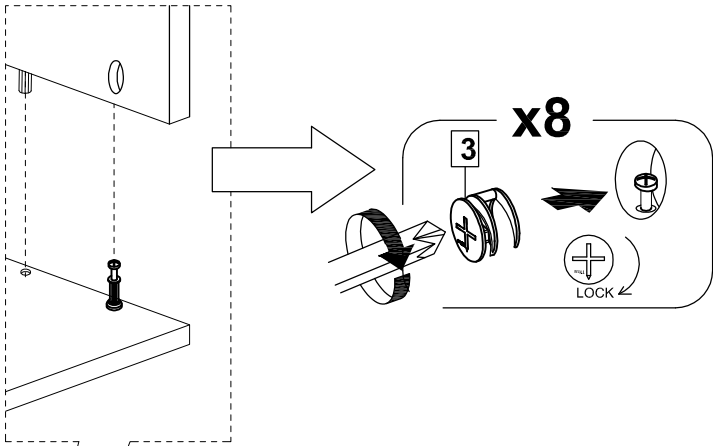
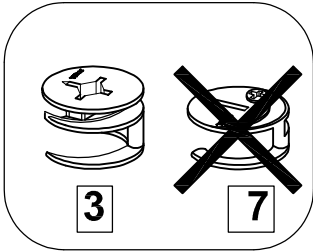
**STEP 8**



MODEL NAME:

CT 2712-01

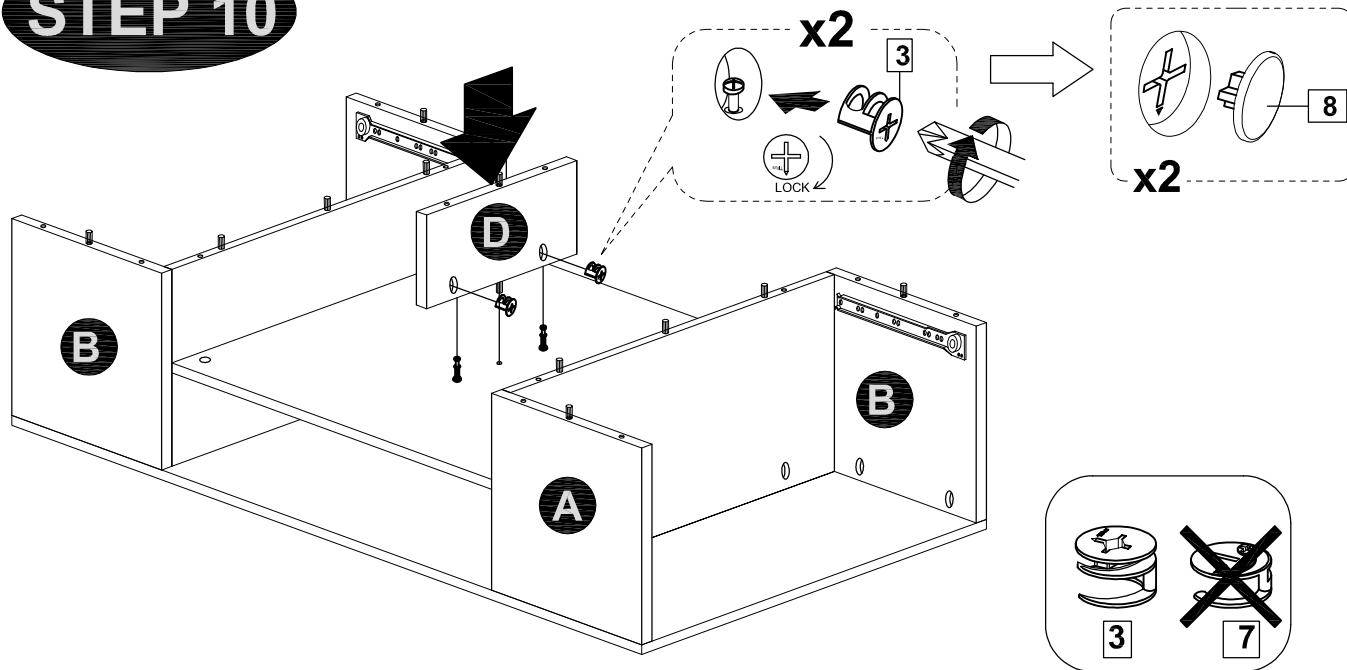
**STEP 9**



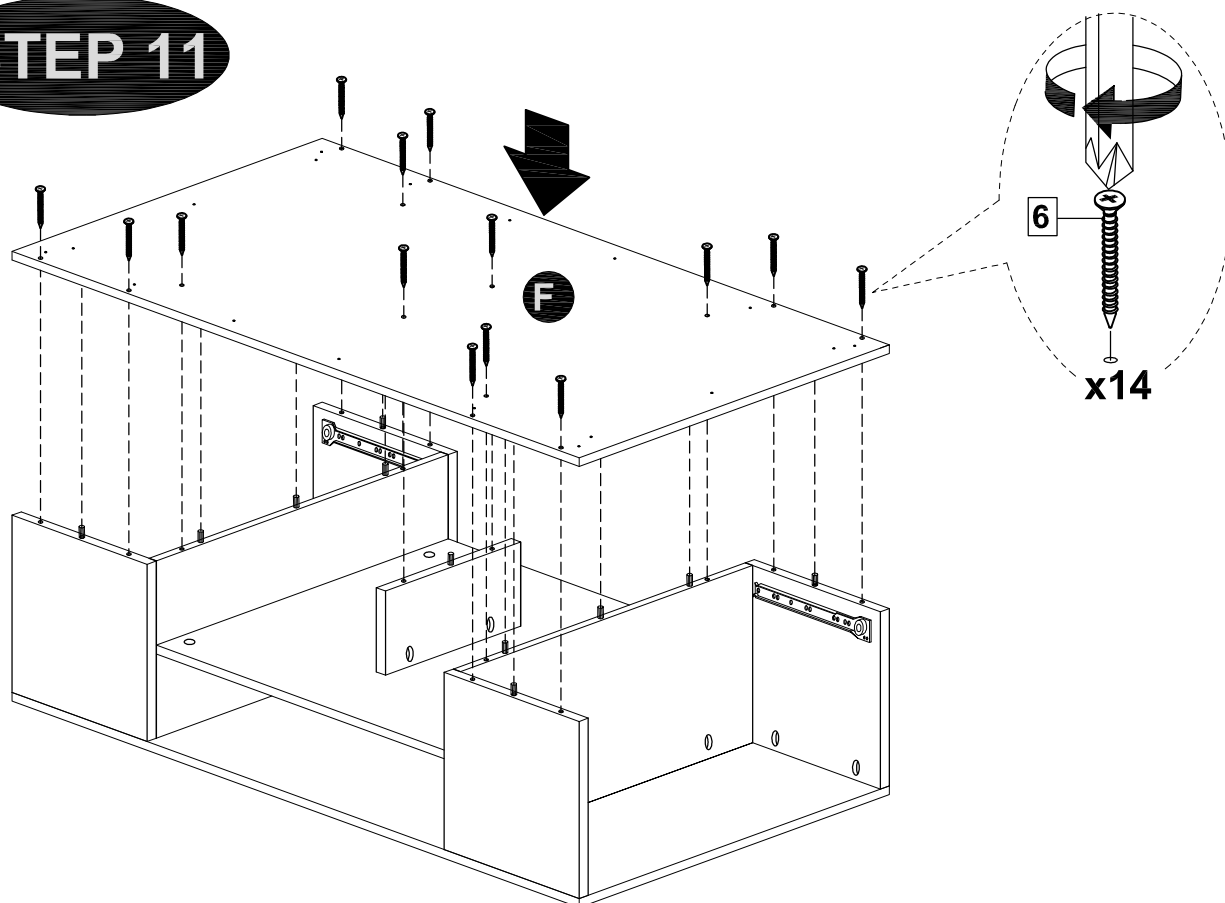
MODEL NAME:

CT 2712-01

**STEP 10**



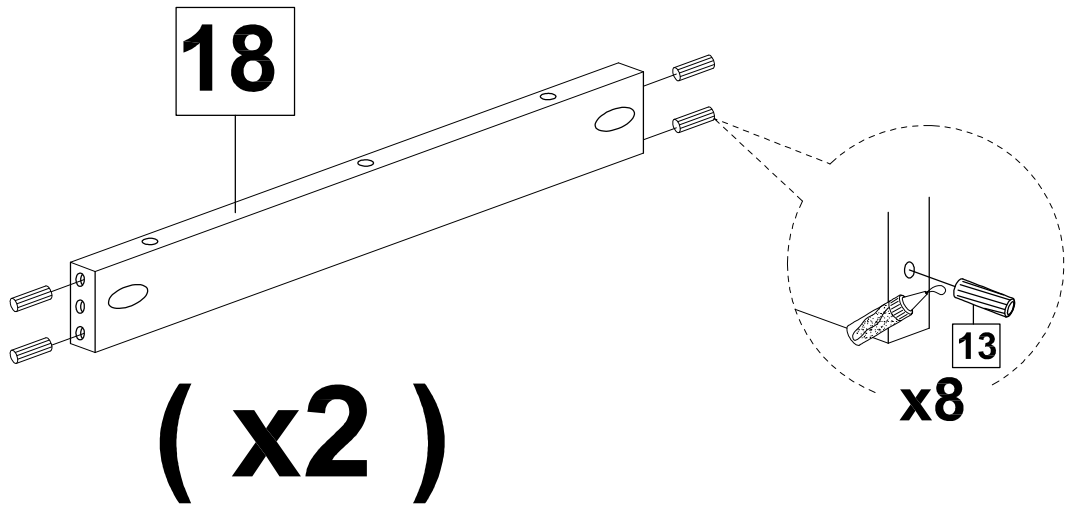
**STEP 11**



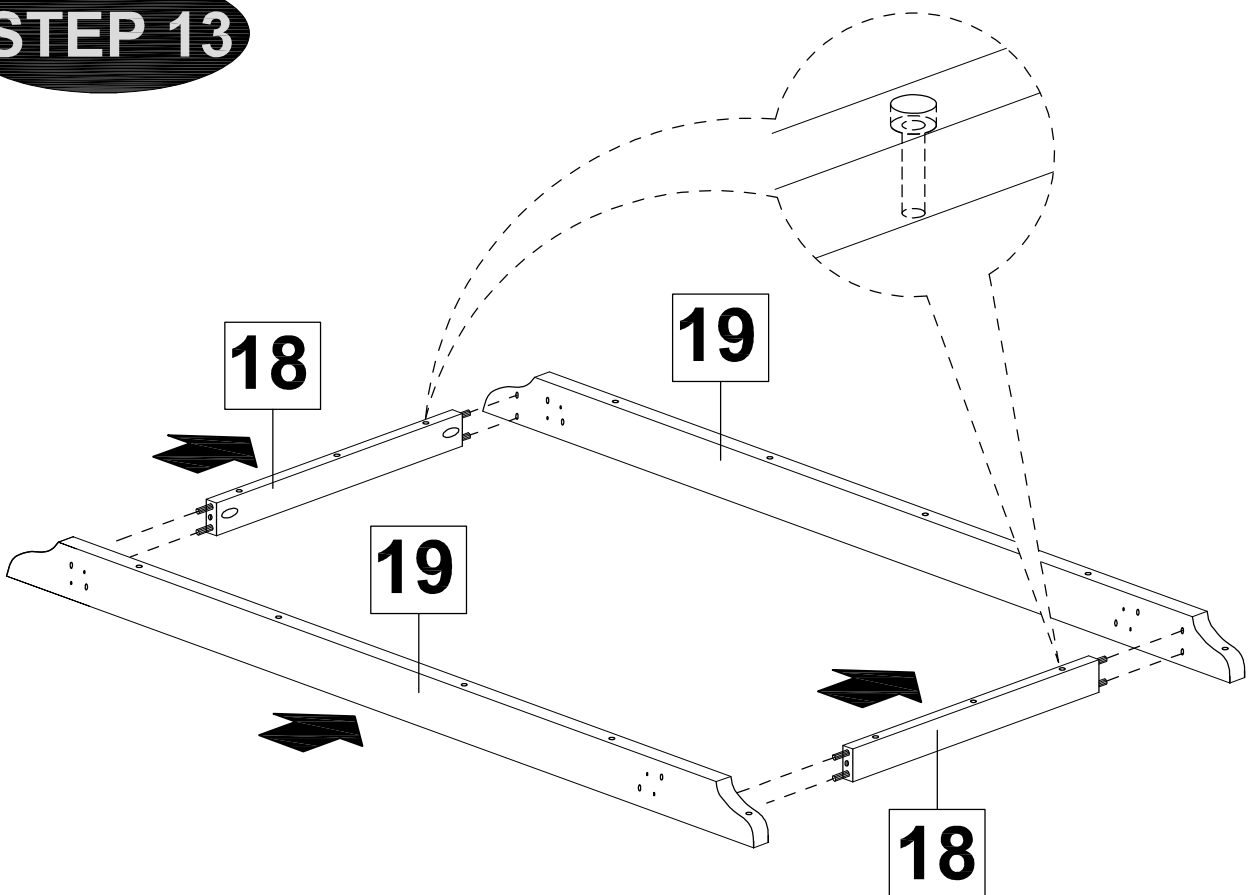
MODEL NAME:

CT 2712-01

**STEP 12**



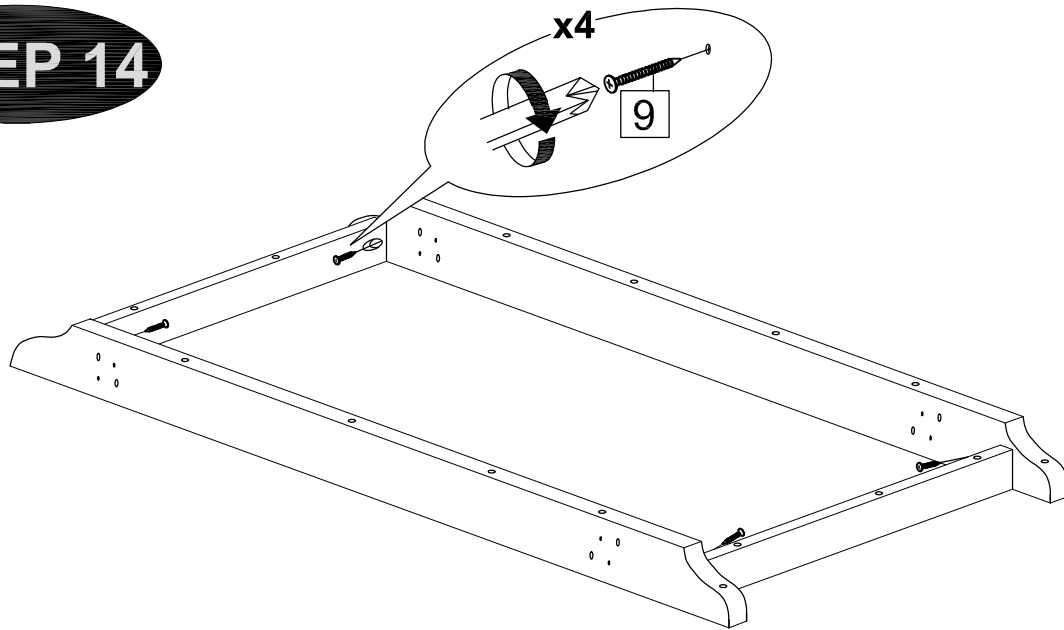
**STEP 13**



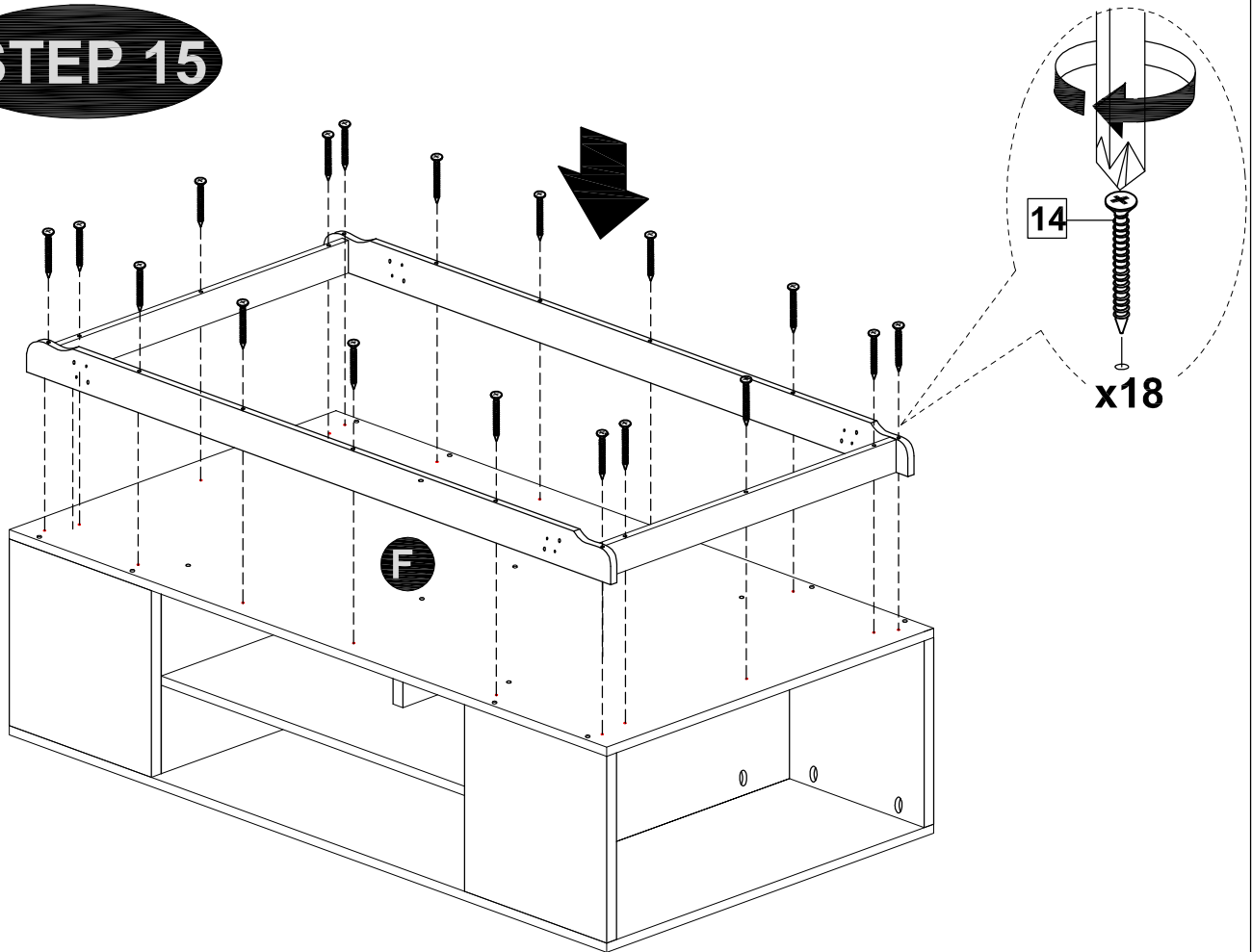
MODEL NAME:

CT 2712-01

**STEP 14**



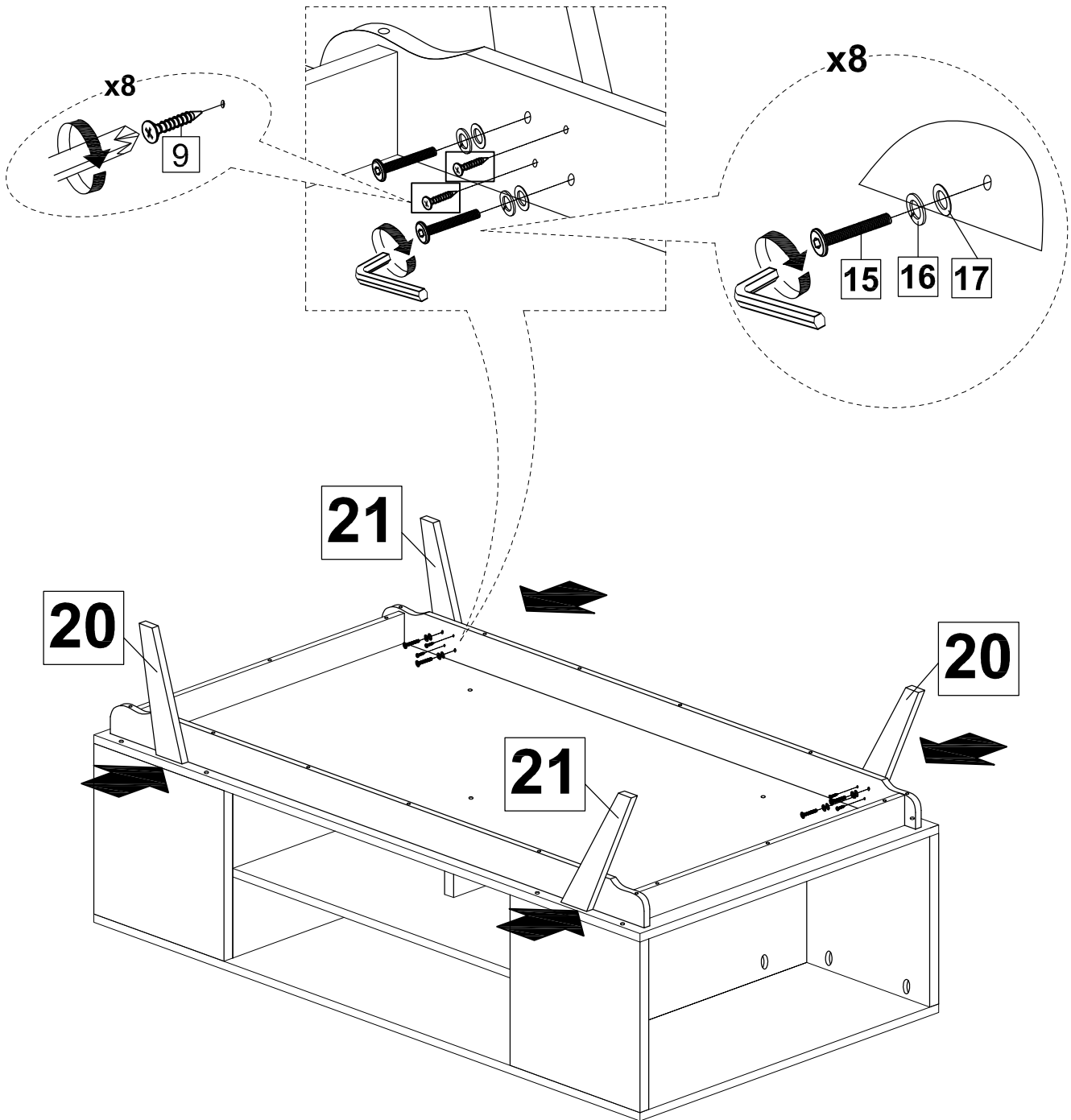
**STEP 15**



MODEL NAME:

CT 2712-01

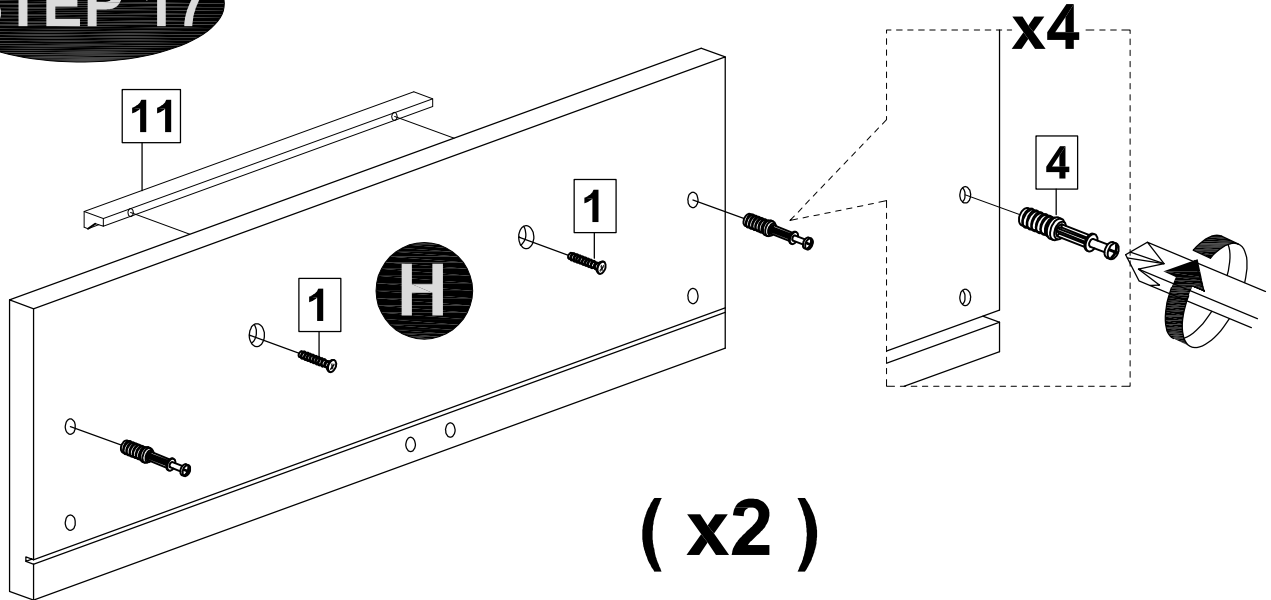
**STEP 16**



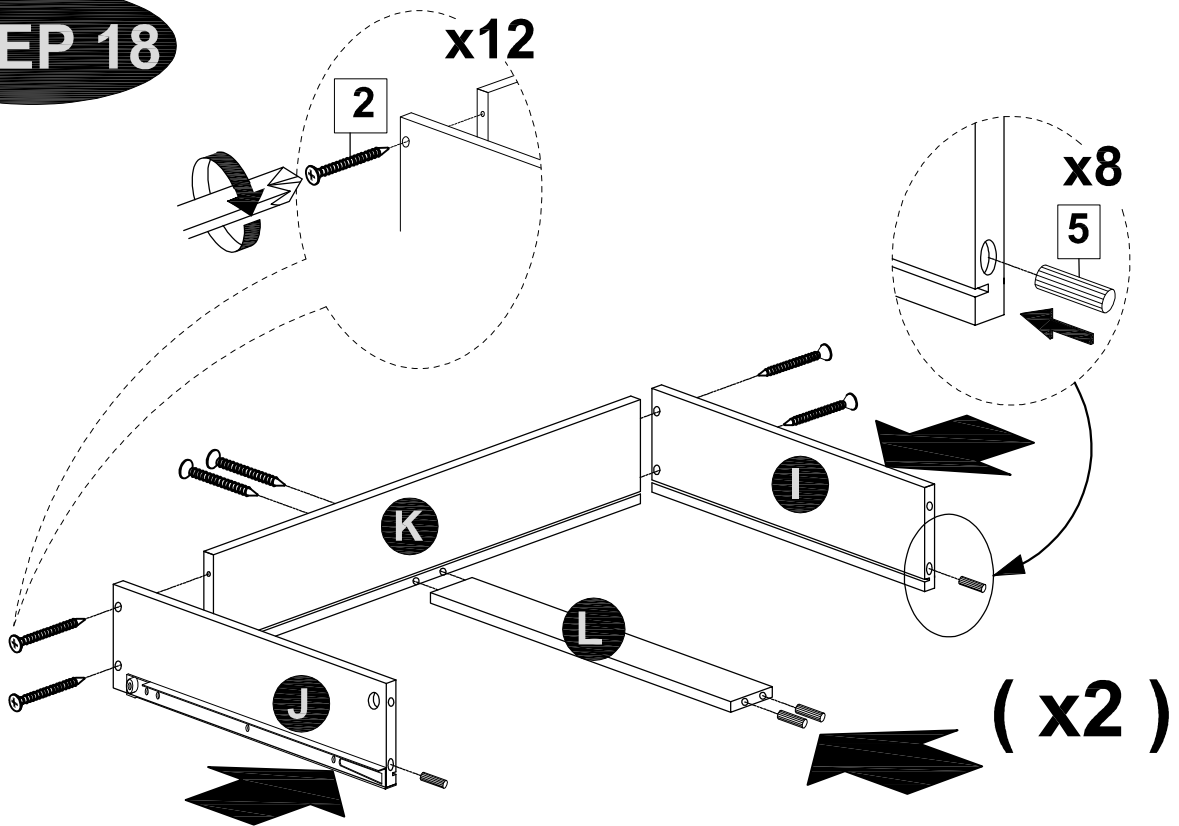
MODEL NAME:

CT 2712-01

**STEP 17**



**STEP 18**

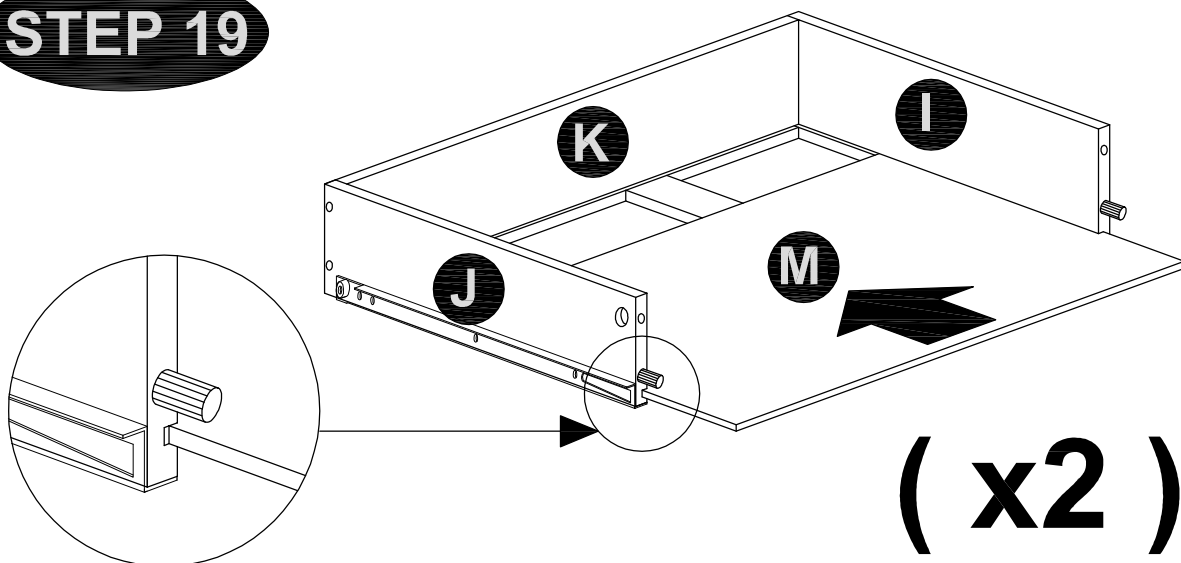




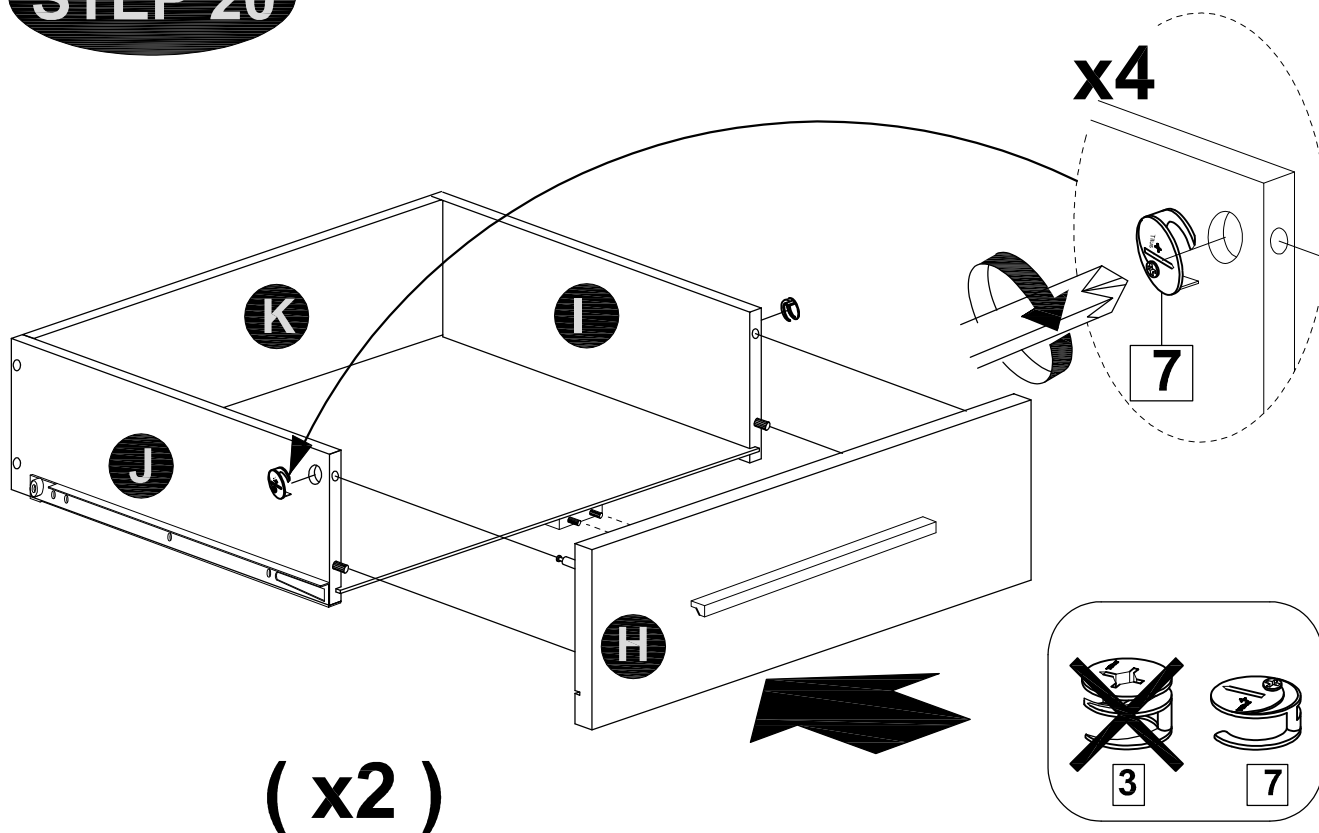
MODEL NAME:

CT 2712-01

**STEP 19**



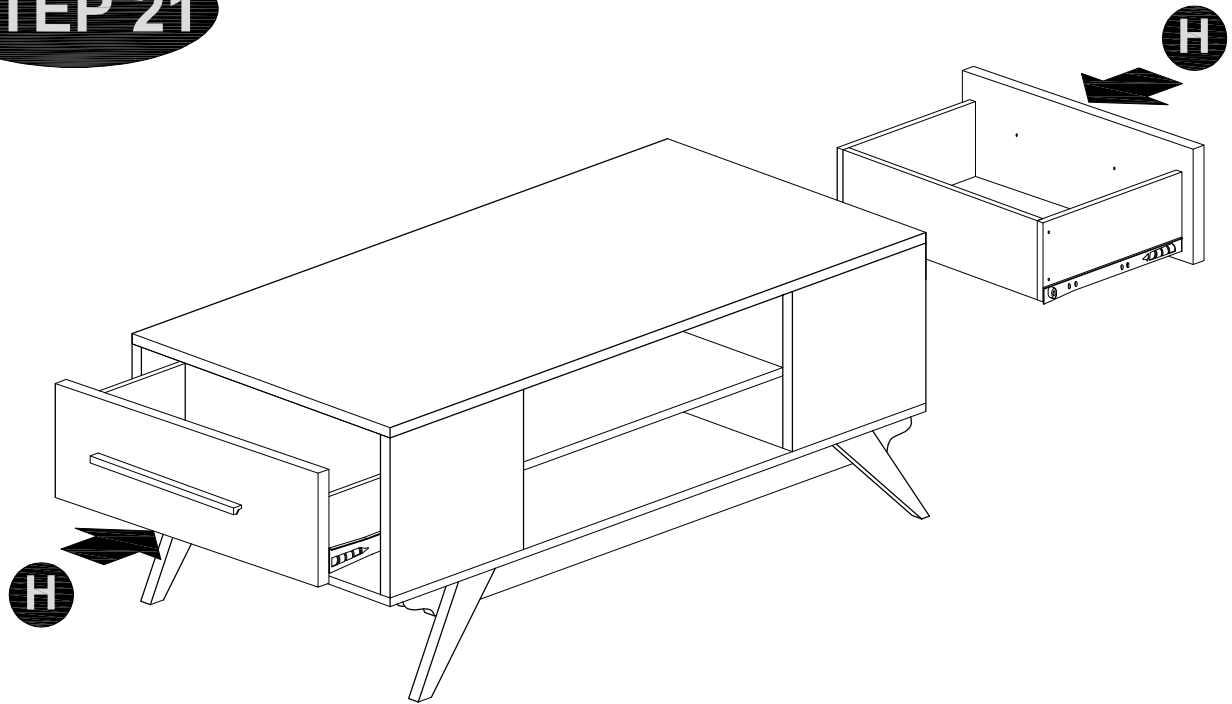
**STEP 20**



MODEL NAME:

CT 2712-01

**STEP 21**



**STEP 22**

