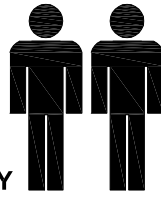


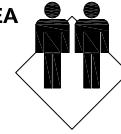
MODEL NAME:

CT 2190-00

1.5hr



FLOOR AREA
1.5M X 1.5M

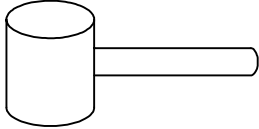


APPROXIMATE ASSEMBLY TIME

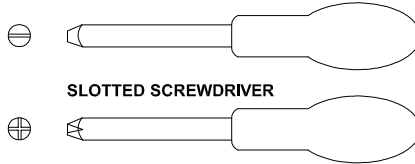
2 PERSON OF ASSEMBLY

REQUIRED ASSEMBLY SPACE

REQUIRED ASSEMBLY TOOLS

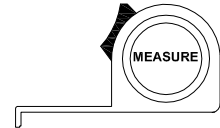


SOFT RUBBER HAMMER



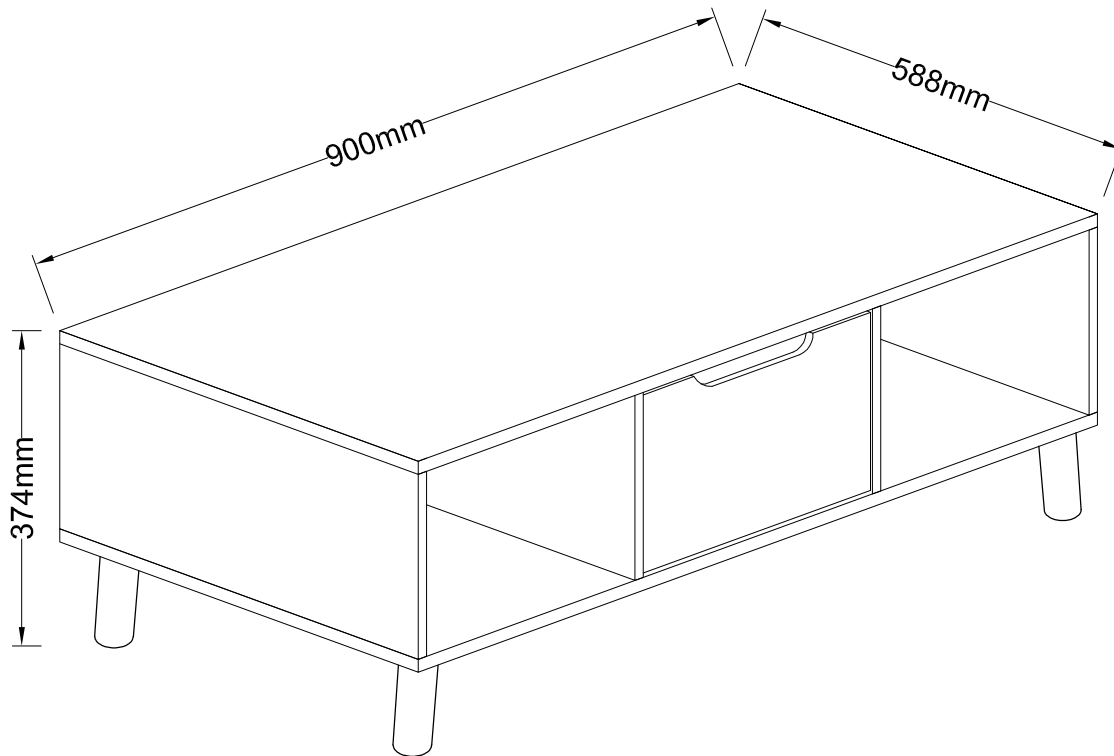
SLOTTED SCREWDRIVER

POZI SCREWDRIVER



MEASURING TAPE

ASSEMBLED DIMENSIONS



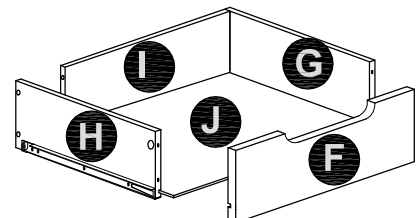
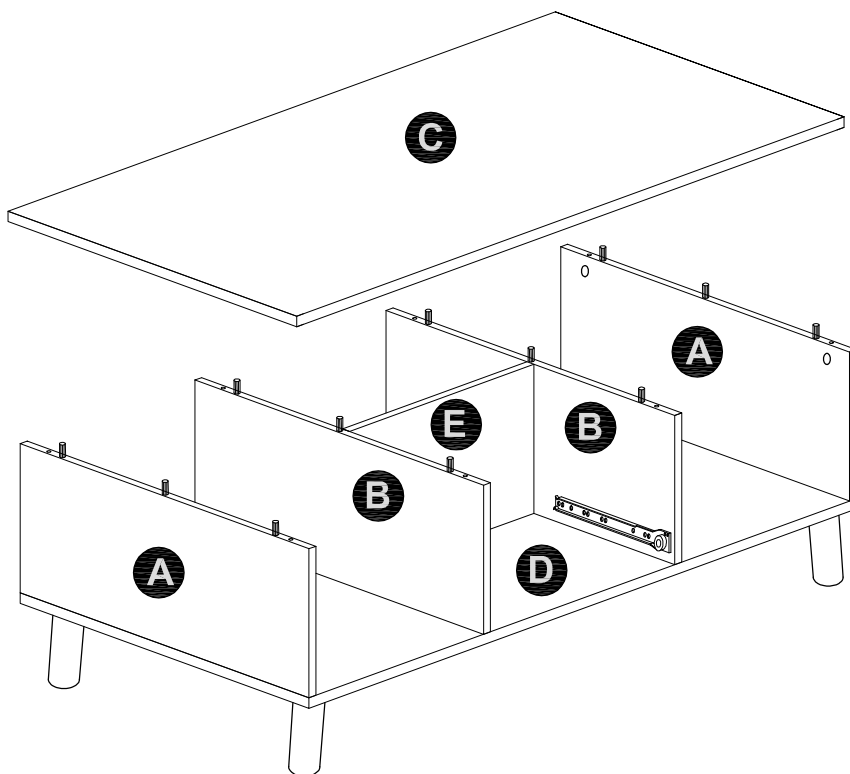
NOTE : THE MAXIMUM WEIGHT THIS PRODUCT CAN HOLD UP TO 25 KGS.

MODEL NAME:

CT 2190-00

NO.	PART LIST	QTY	NO.	PART LIST	QTY
(A)	SIDE PANEL	2	(F)	DRAWER FRONT	2
(B)	MIDDLE PANEL	2	(G)	DRAWER RIGHT SIDE PANEL	2
(C)	TOP PANEL	1	(H)	DRAWER LEFT SIDE PANEL	2
(D)	BOTTOM PANEL	1	(I)	DRAWER BACK PANEL	2
(E)	CENTRE PANEL	1	(J)	DRAWER BASE	2

PARTS LIST

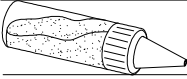
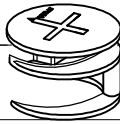


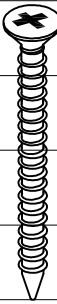


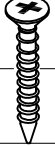
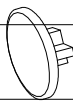
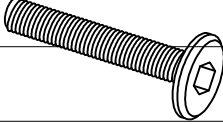
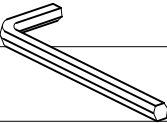


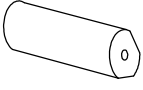
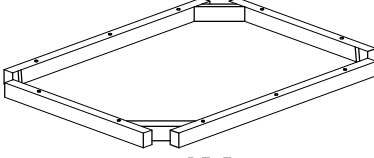


(x2)

MODEL NAME:

CT 2190-00

HARDWARE LIST

					
1X 1 GLUE 10CC	8X Dia.15mm 2 LARGE CAMLOCK	4X Dia.15mm 3 DRAWER CAMLOCK	12X M6.5 4 QUICKFIT	10X M8 x 38mm 5 FLAT HEAD SCREW	30X Dia.6 x 30mm 6 WOOD DOWEL
					
8X M3.5 x 25mm 7 FLAT HEAD SCREW	10X M4 x 30mm 8 FLAT HEAD SCREW	4X Dia 17mm 9 UNIVERSAL CAP (OPTIONAL)	4X M8 x 70mm 10 ALLEN HEAD BOLT	1X M5 11 ALLEN KEY	
					
4X 5/16 12 SPRING WASHER	4X 22 x 5/16 13 FLAT WASHER	4X 14 Ø45- 160mm LEG	1X 15 WOODEN FRAME		

MODEL NAME:

CT 2190-00

Top Tips before you start!

1. Please check that all parts are present before you start the assembly of your furniture.
2. For ease and speed of assembly, we recommend that before you commence each step of the assembly, that you identify all the parts required for that step.
3. For larger items, please ensure that you have sufficient space and people (as indicated on page 1) to assemble your product safely
4. We recommend that, where possible, all items are assembled near to the area in which they will be placed in use, to avoid moving the product unnecessarily once assembled.
5. For the protection of your furniture, particularly items of high gloss finish, we recommend that the product is placed on a protected surface during assembly to prevent any damage.
6. Caution - Electric / Battery operated screw driver NOT RECOMMENDED.
7. During assembly please take care not to over-tighten any fittings, as this may damage the product.
8. Always place the product on a flat, steady and stable surface.
9. Do not sit or stand on the product.
Do not use the product as a stepladder.
10. This product is intended for indoor, household use only as it is non industrial product.
11. This product is constructed from re-inforced hollow board. Excessive pressure cause irreparable damage. Please do not kneel on any part of this product during assembly.

Care and Maintenance of your Furniture

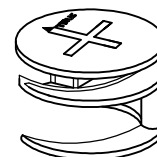
- Please periodically check all fittings and re-tighten as necessary.
- To clean your item, please use a damp cloth and wipe clean.
- Never allow any kind of liquid to remain on your furniture.
- Please do not place hot items (e.g. hot drinks) directly on to the wood surface.
- Please do not drag and pull your furniture.

MODEL NAME:

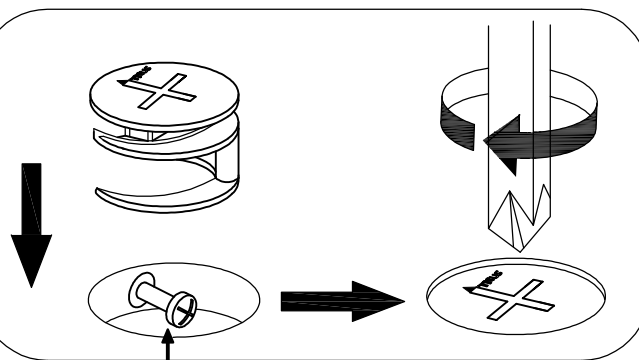
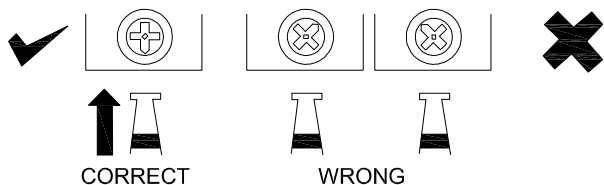
CT 2190-00

SPECIAL TIPS FOR FITTING CAM-LOCKS AND QUICKFIT

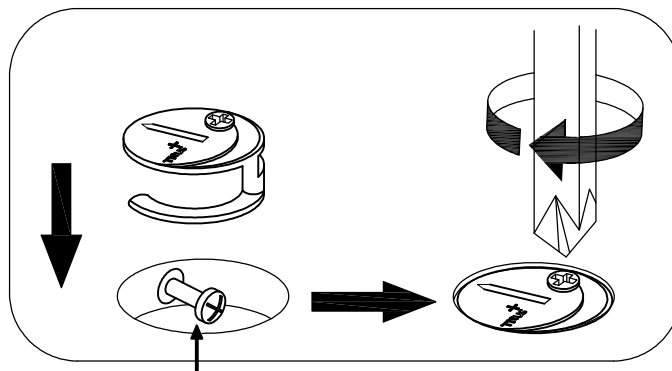
LARGE CAM-LOCK



WHEN FITTING CAMLOCK
ENSURE STARTING POSITION IS CORRECT
BEFORE YOU INSERT CONNECTING QUICKFIT
TURN CLOCKWISE UNTIL SECURE



Quickfit head needs to be in centre



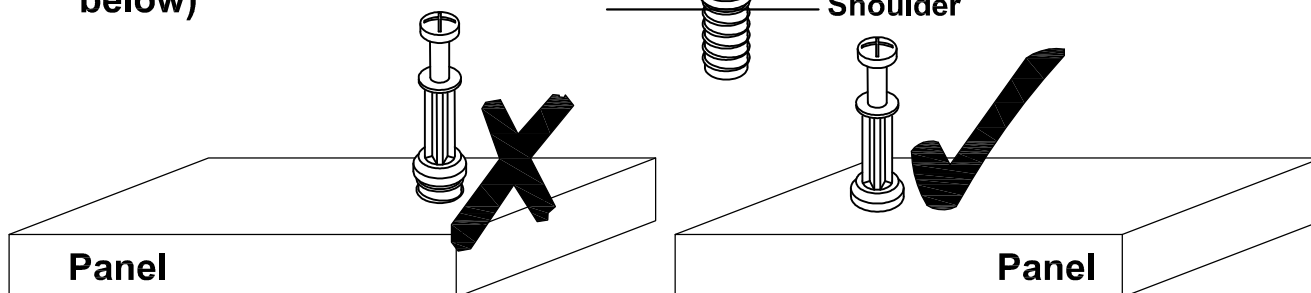
Quickfit head needs to be in centre

DRAWER CAM-LOCK



QUICKFIT

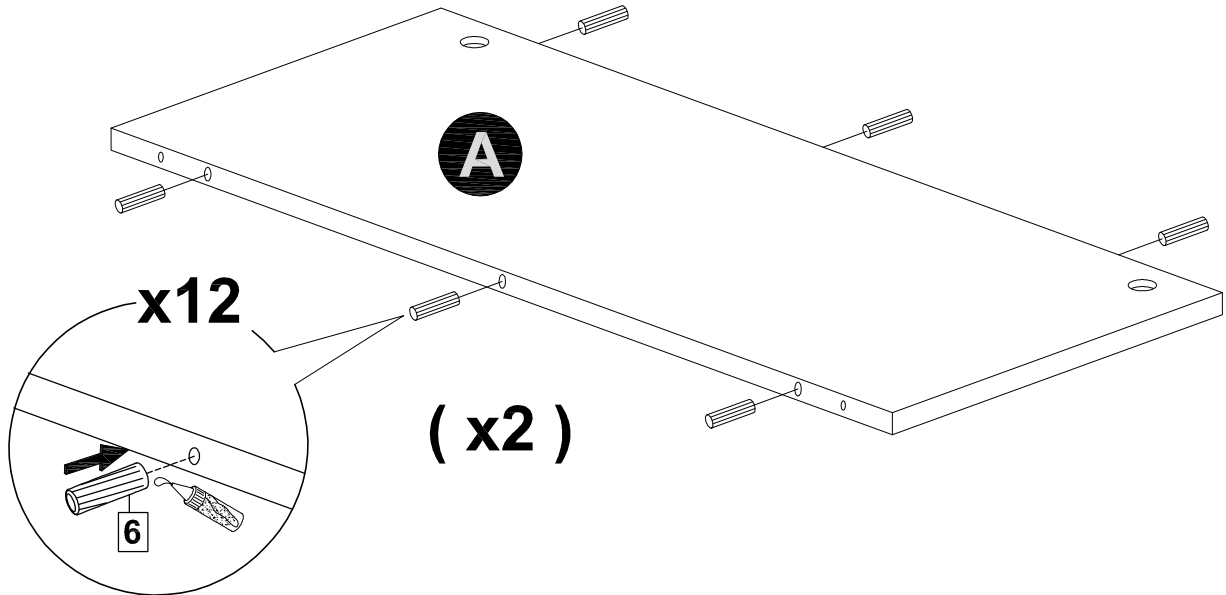
Tighten until shoulder is flush with panel. Do not overtighten or undertighten (see example below)



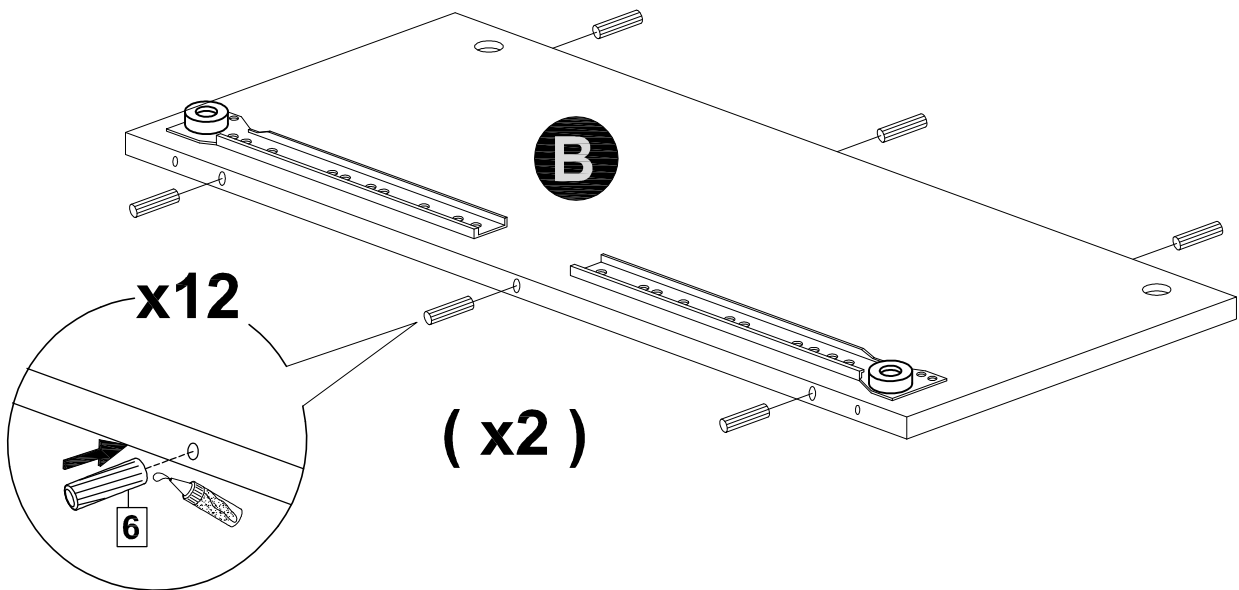
MODEL NAME:

CT 2190-00

STEP 1



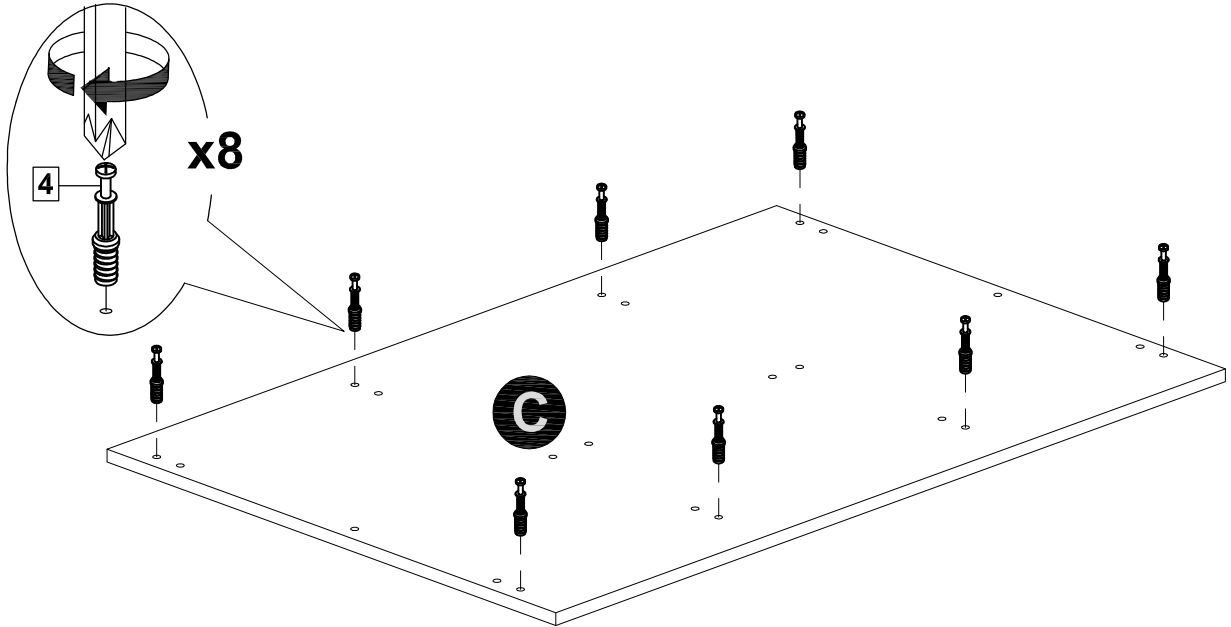
STEP 2



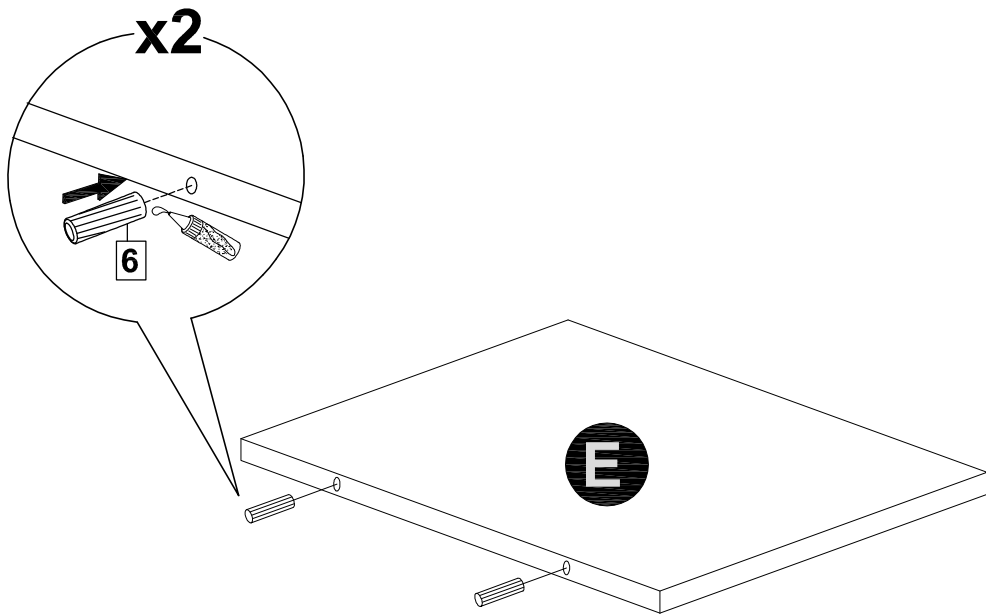
MODEL NAME:

CT 2190-00

STEP 3



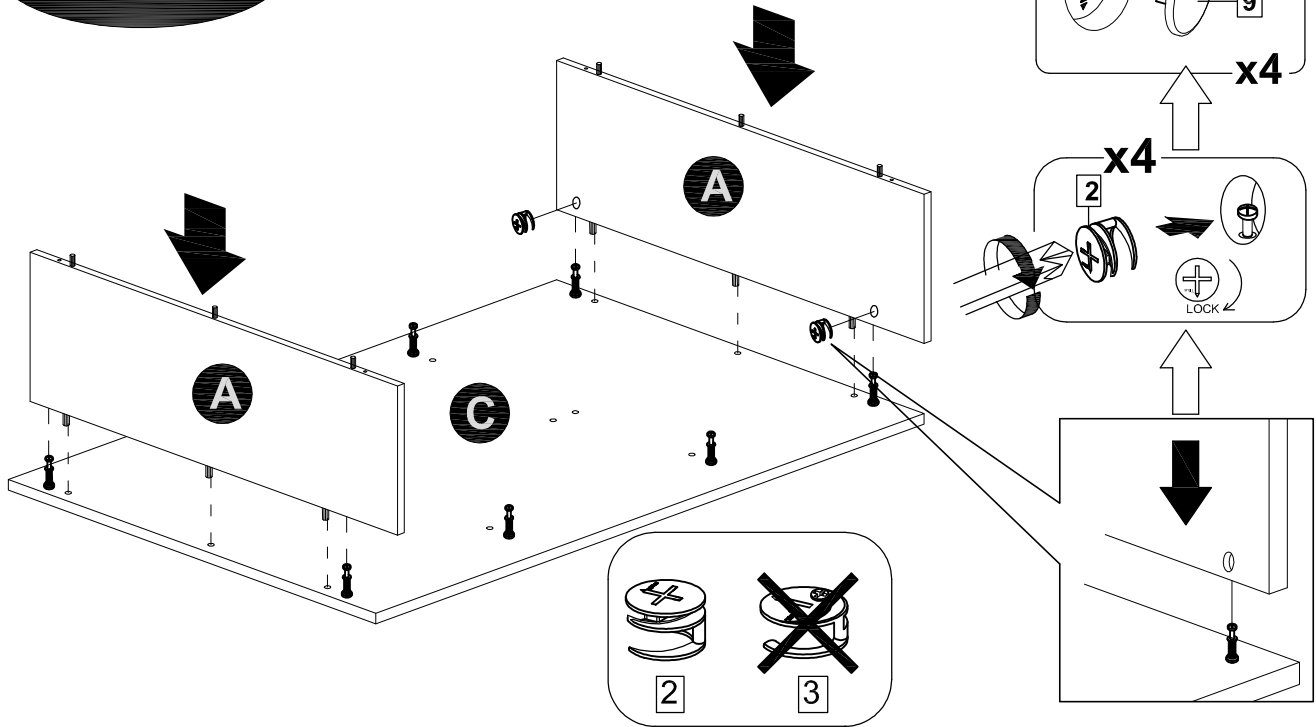
STEP 4



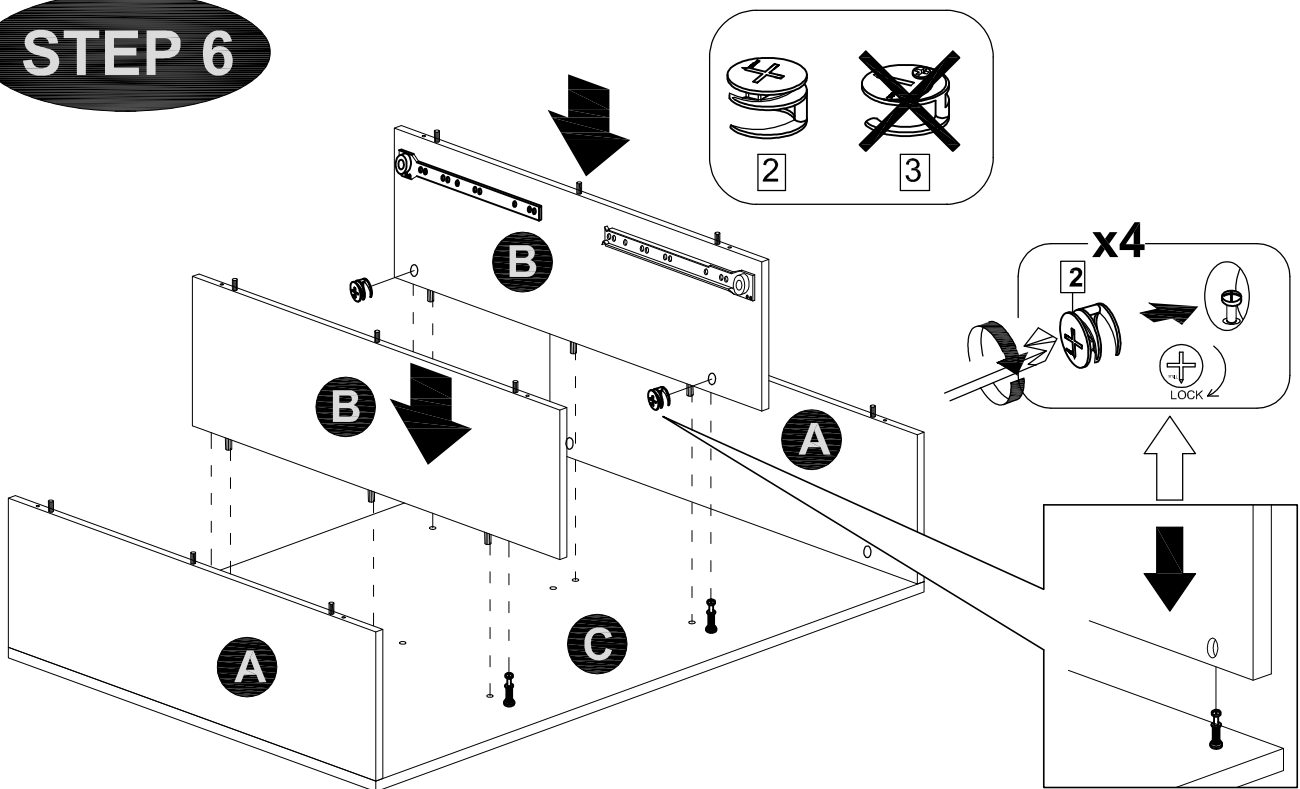
MODEL NAME:

CT 2190-00

STEP 5



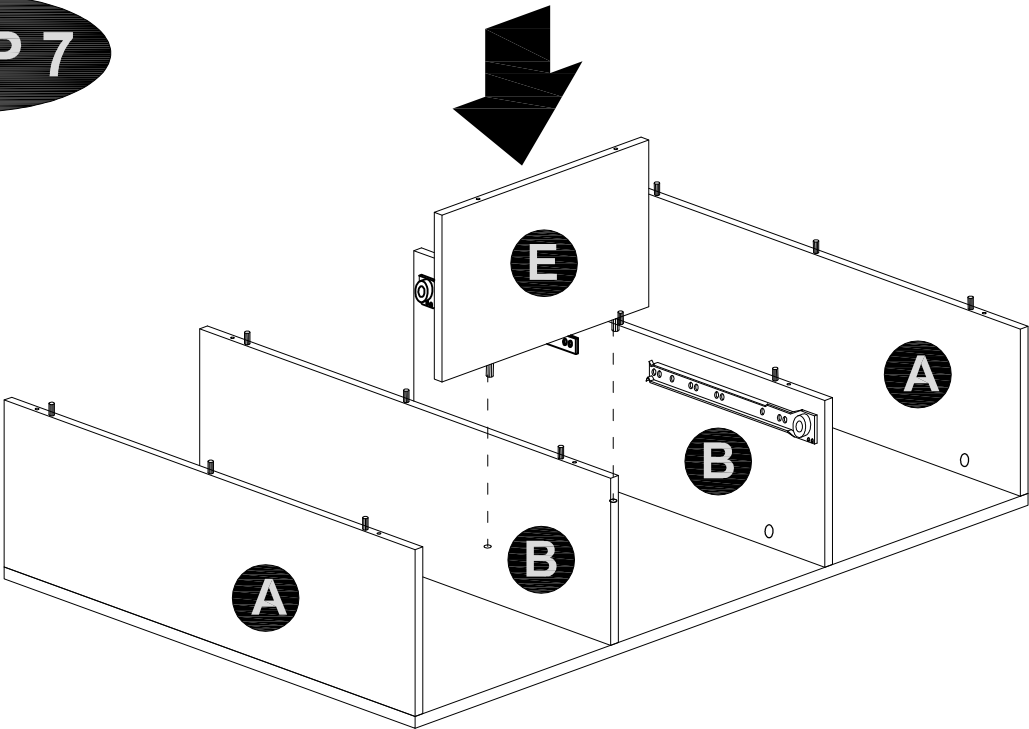
STEP 6



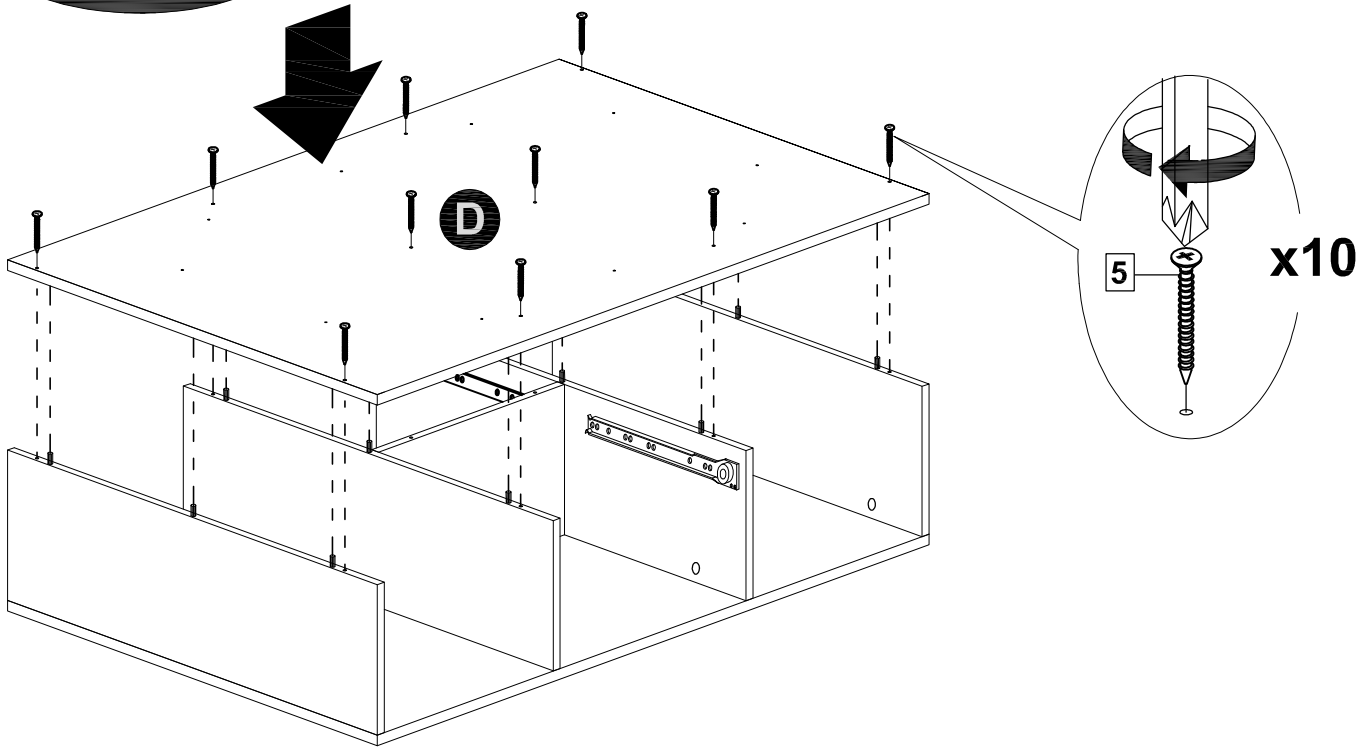
MODEL NAME:

CT 2190-00

STEP 7



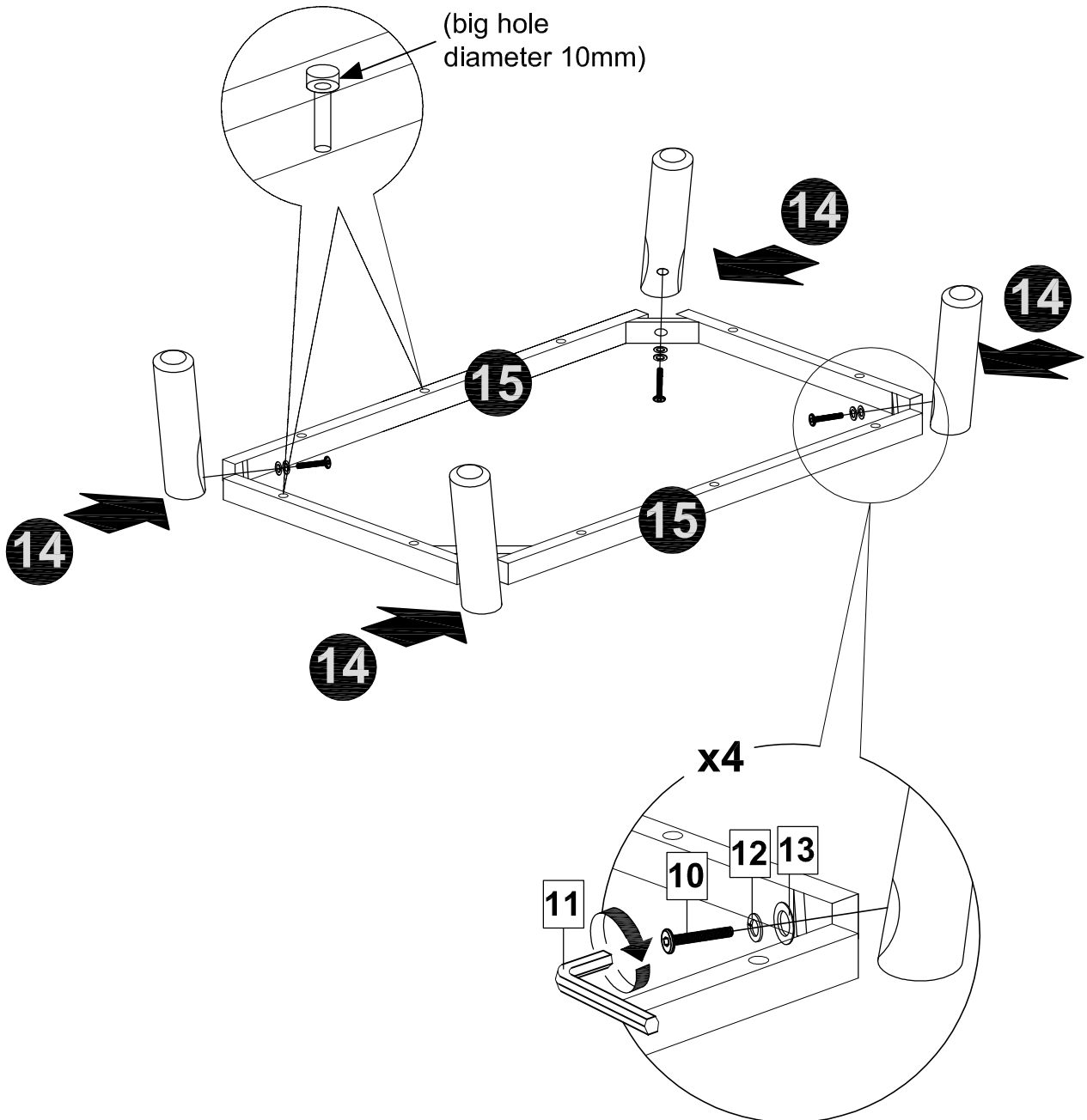
STEP 8



MODEL NAME:

CT 2190-00

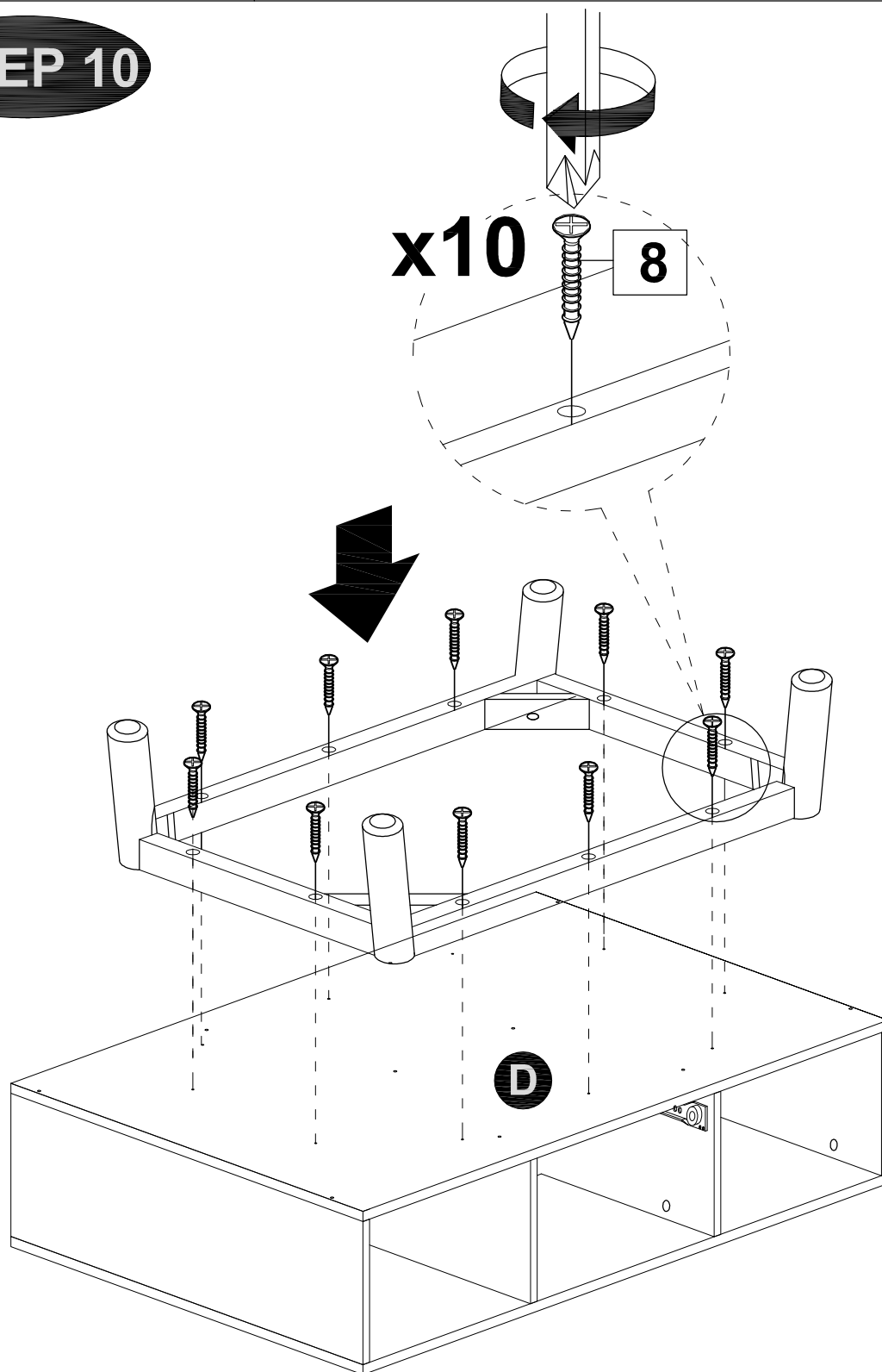
STEP 9



MODEL NAME:

CT 2190-00

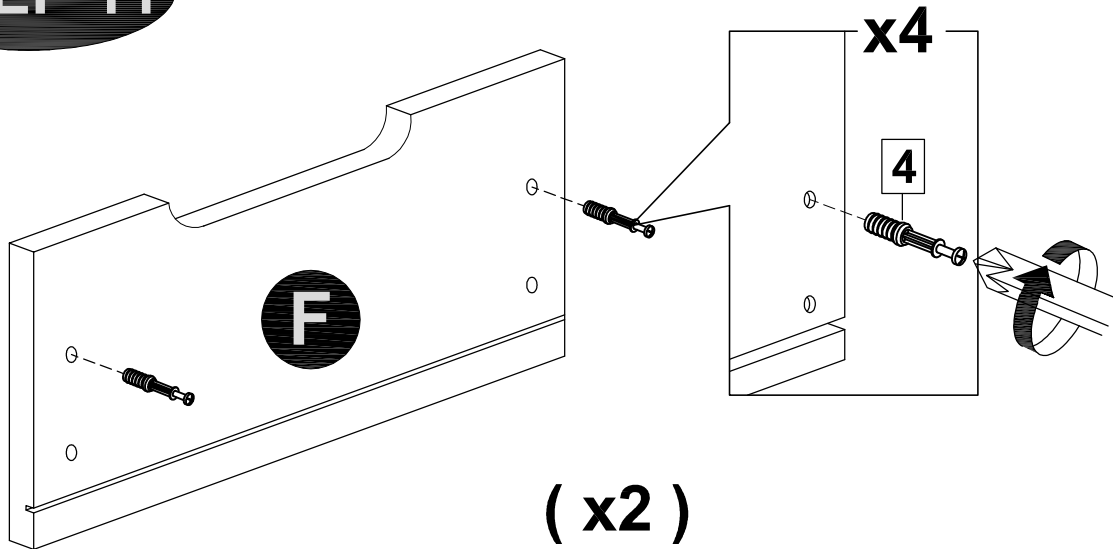
STEP 10



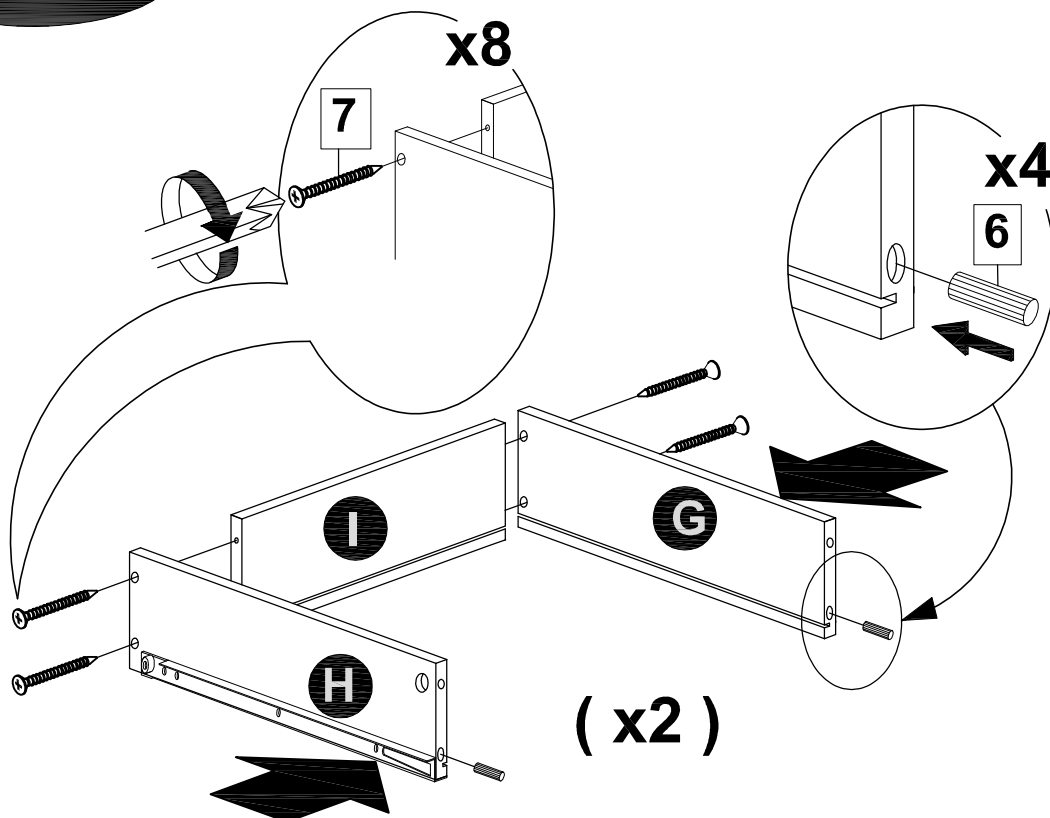
MODEL NAME:

CT 2190-00

STEP 11



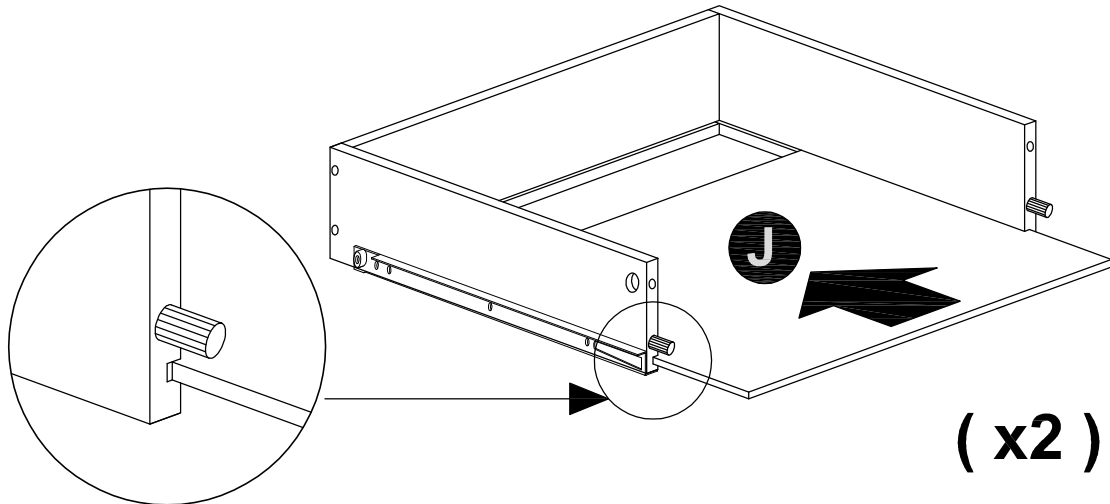
STEP 12



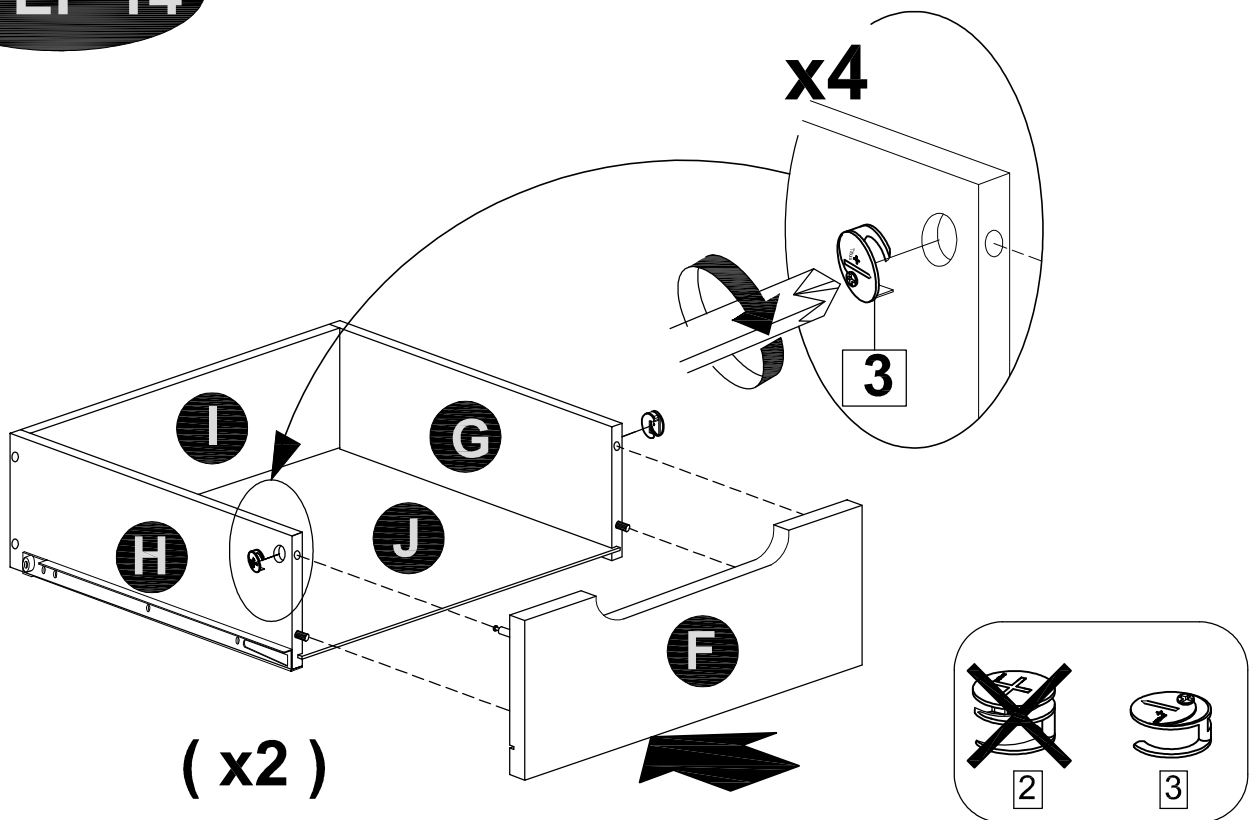
MODEL NAME:

CT 2190-00

STEP 13



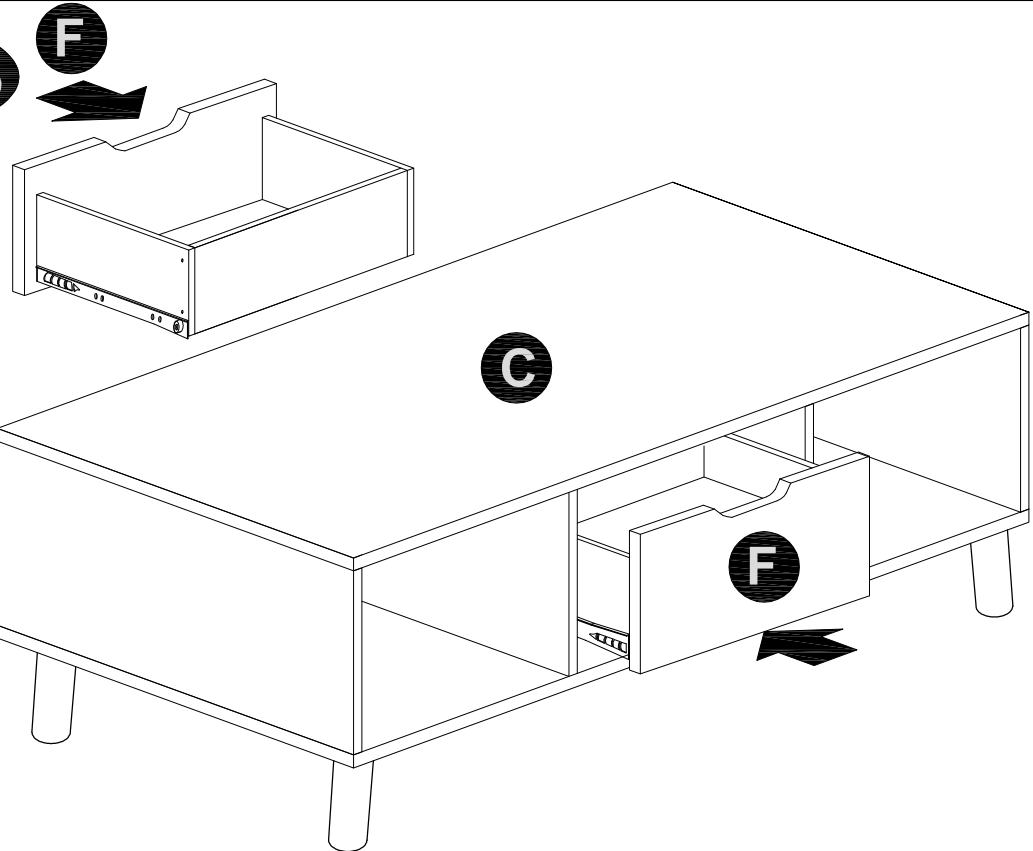
STEP 14



MODEL NAME:

CT 2190-00

STEP 15



STEP 16

