

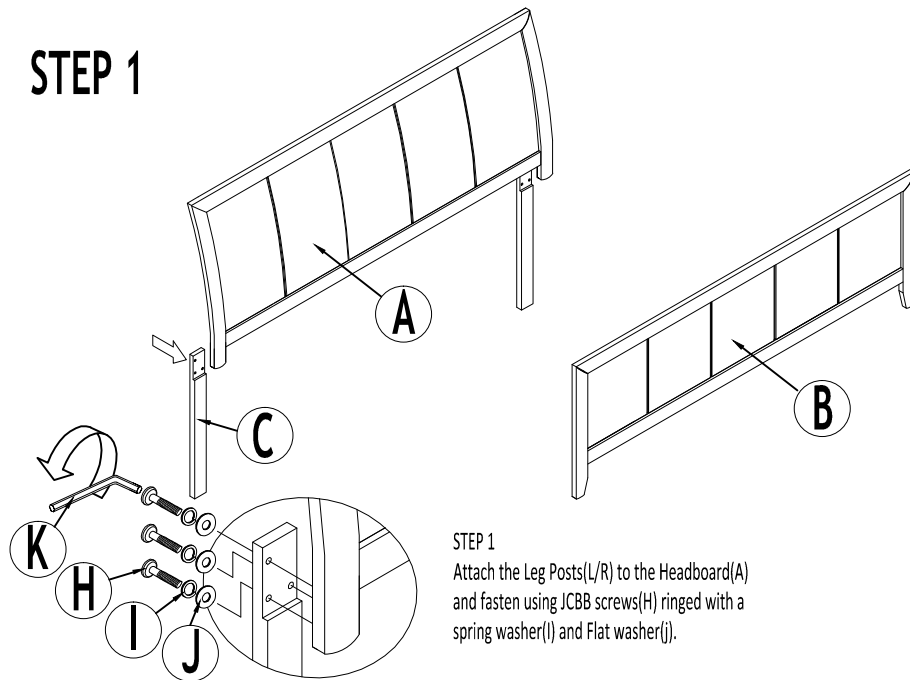
ASSEMBLY INSTRUCTIONS

DESCRIPTION : KING HEADBOARD / FOOTBOARD
KING SIDE RAIL

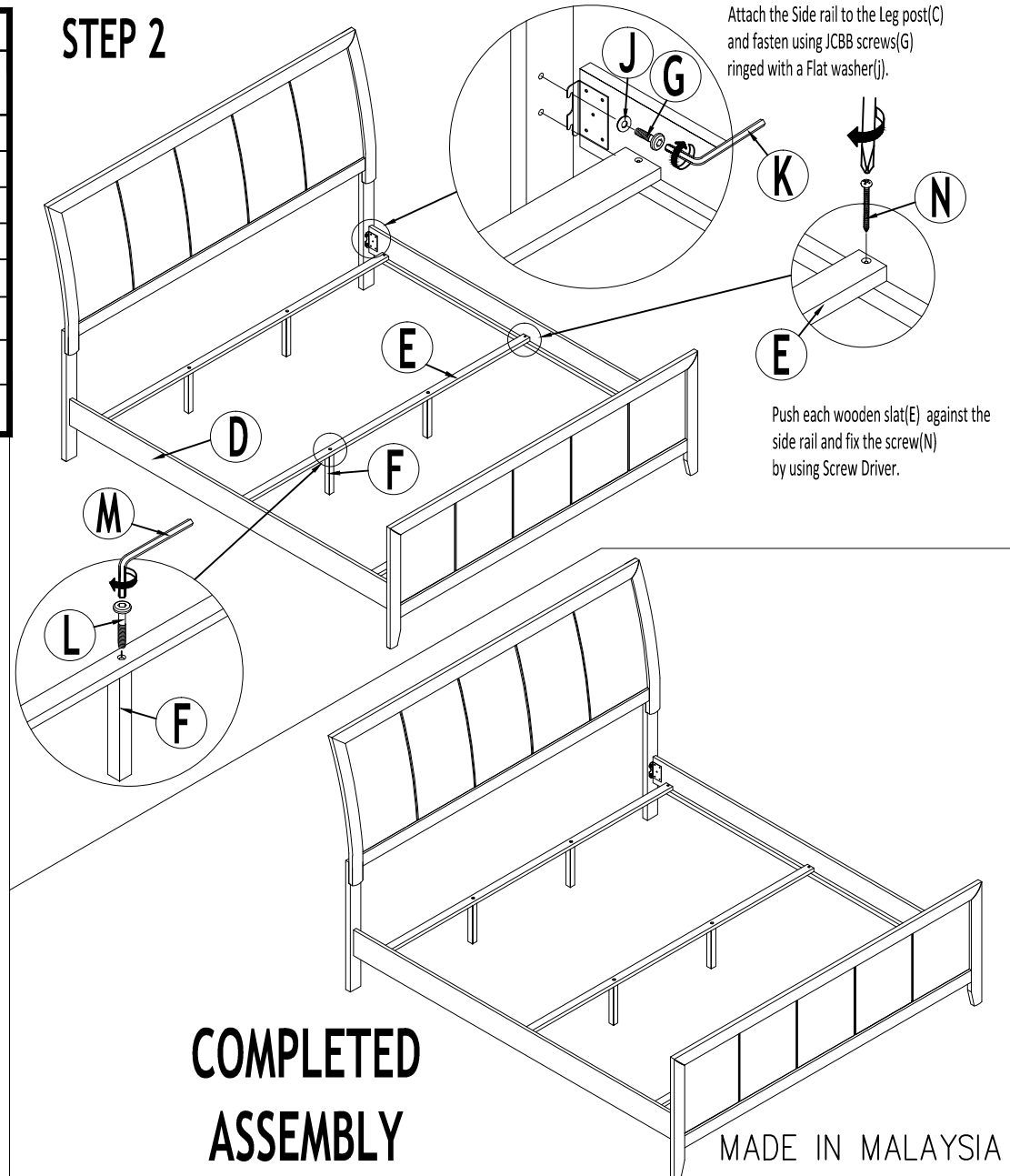
ITEM	DRAWING	DESCRIPTION	QTY
A		HEADBOARD	1
B		FOOTBOARD	1
C		LEG POST	2
D		SIDE RAIL	2
E		SLAT	3

ITEM	DRAWING	DESCRIPTION	QTY
F		VERTICAL LEG	6
G		JCBB M8 x 20mm	8
H		JCBB M8 x 40mm	6
I		SPRING WASHER M8	6
J		FLAT WASHER M8	14
K		ALLEN KEY M5	1
L		JCBB M6 x 35mm	6
M		ALLEN KEY M4	1
N		PANHEAD SCREW M4 x 32mm	6

STEP 1



STEP 2



NOTE: SCREWS LOOSEN WITH USE.CHECK FOR LOOSE SCREWS AND TIGHTEN EVERY 6-8 WEEKS

CLEANING INSTRUCTIONS:

Clean & polish all surfaces after assembly with a soft cloth and industrial furniture polish.