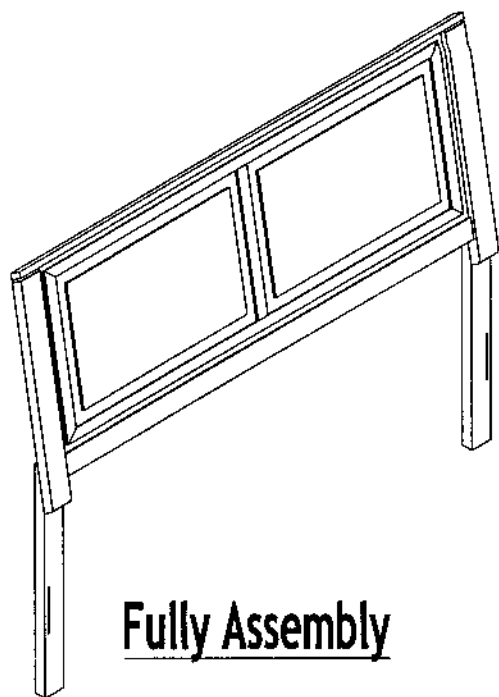


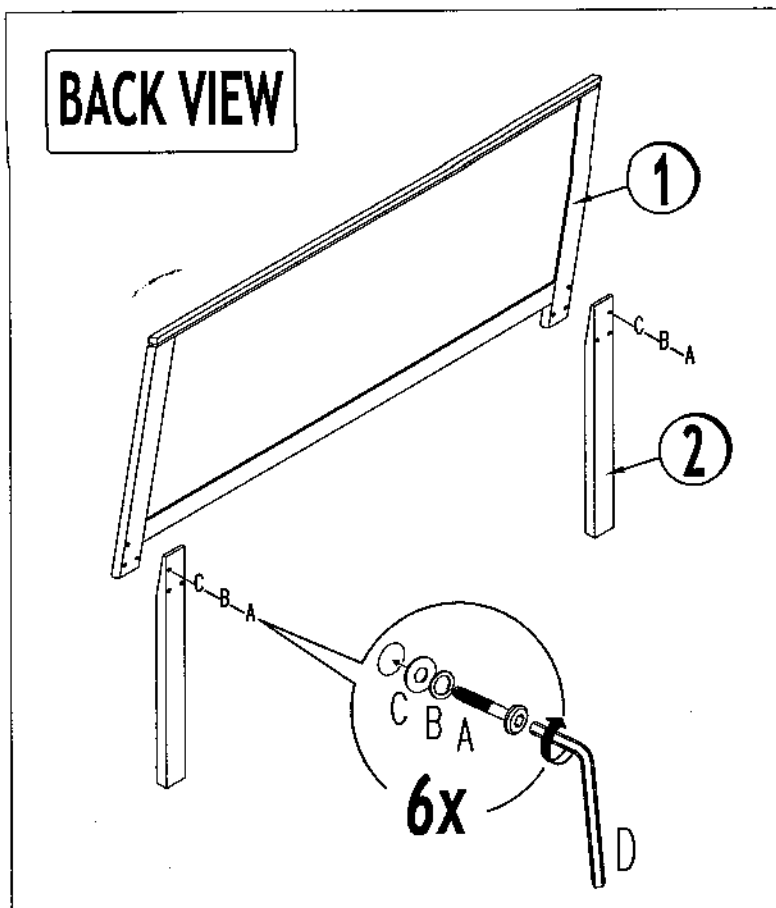
# ASSEMBLY INSTRUCTIONS

GROUP NO : CJ 5 BEDROOM

DESCRIPTION : QUEEN HB  
QUEEN LEG



Fully Assembly

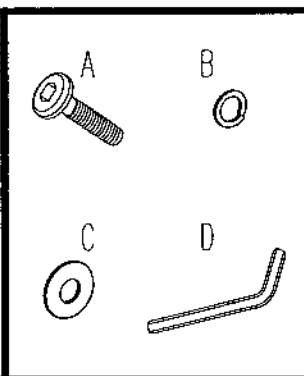


## PARTS LIST

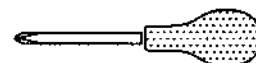
NO	DESCRIPTION	QTY
1	HEADBOARD	1 PC.
2	HEADBOARD LEG ( L / R.)	2 PCS.

## HARDWARE LIST

NO	DESCRIPTION	QTY
A	JCBC (M6 x 35MM)	6 PCS.
B	SPRING WASHER (M6)	6 PCS.
C	FLAT WASHER (M6)	6 PCS.
D	ALLEN KEY (M4)	1 PC.



TOOL REQUIRED (NOT PROVIDED)



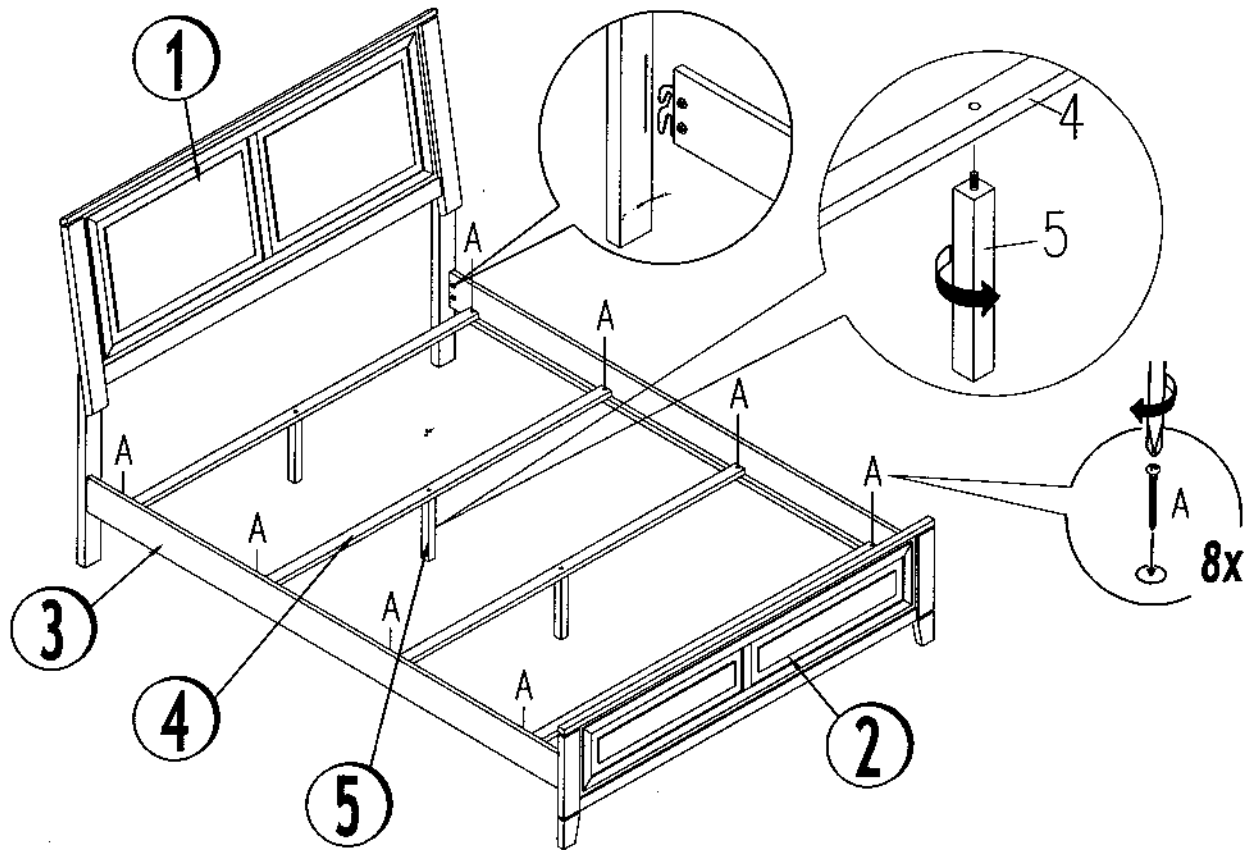
## IMPORTANT NOTE :

- \* Place all wooden parts on a clean and smooth surface such as a rug or carpet to avoid the parts from being scratched.
- \* Check to be sure that you have all parts and hardware.
- \* Remove all wrapping materials, including staples & packing straps before you start to assemble.
- \* Do not tighten all screws/bolts until all completely assembled.
- \* Keep all hardware parts out of reach of children.

# ASSEMBLY INSTRUCTIONS

GROUP NO : CJ 5 BEDROOM

DESCRIPTION : QUEEN HB / FB  
QUEEN SIDE RAIL

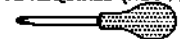


## PARTS LIST

## HARDWARE LIST

QTY	DESCRIPTION	QTY	NO	DESCRIPTION	QTY
1	HEADBOARD	1 PC.	A	M4 x 32MM PANHEAD SCREW	8 PCS.
2	FOOTBOARD	1 PC.			
3	SIDE RAIL	2 PCS.			
4	SLAT	4 PCS.			
5	VERTICAL LEG	4 PCS.			

TOOL REQUIRED (NOT PROVIDED)



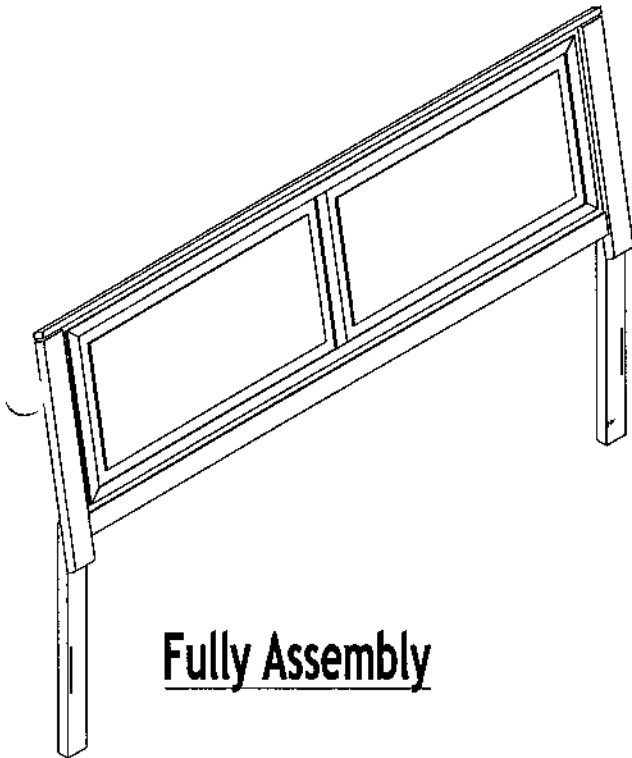
## IMPORTANT NOTE :

- \* Place all wooden parts on a clean and smooth surface such as a rug or carpet to avoid the parts from being scratched.
- \* Check to be sure that you have all parts and hardware.
- \* Remove all wrapping materials, including staples & packing straps before you start to assemble.
- \* Do not tighten all screws/bolts until all completely assembled.
- \* Keep all hardware parts out of reach of children.

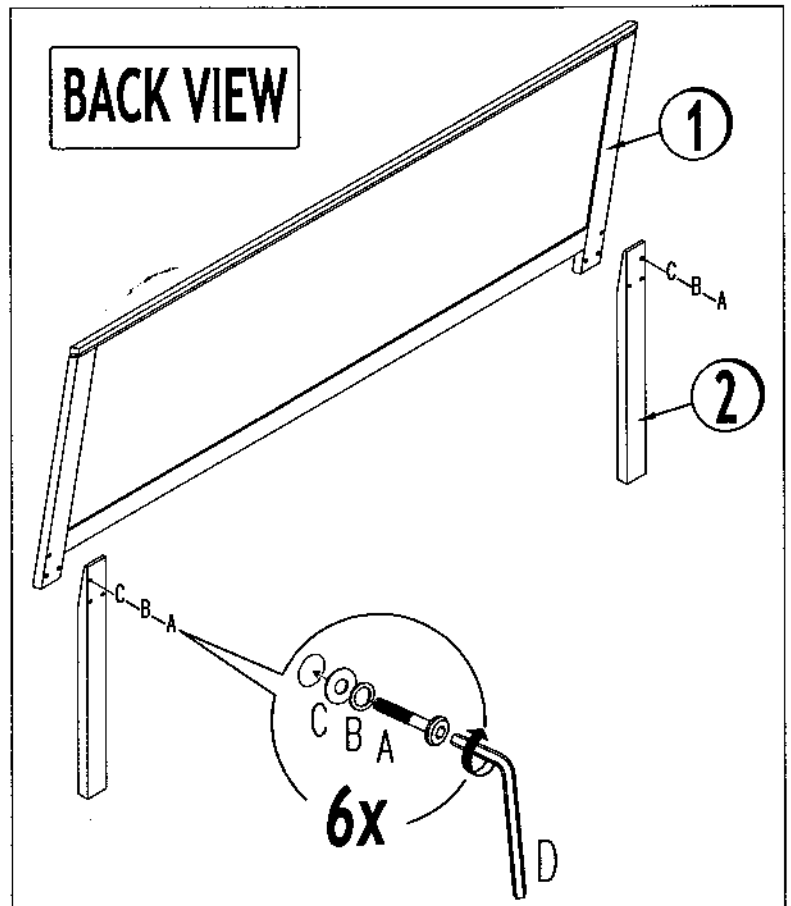
# ASSEMBLY INSTRUCTIONS

GROUP NO : CJ 5 BEDROOM

DESCRIPTION : KING HB  
KING LEG



Fully Assembly

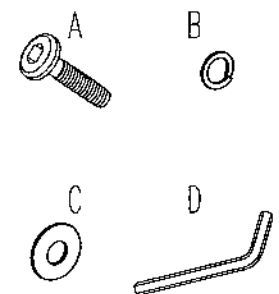


## PARTS LIST

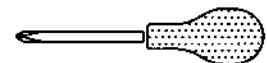
NO	DESCRIPTION	QTY
1	HEADBOARD	1 PC.
2	HEADBOARD LEG ( L / R.)	2 PCS.

## HARDWARE LIST

NO	DESCRIPTION	QTY
A	JCBC (M6 x 35MM)	6 PCS.
B	SPRING WASHER (M6)	6 PCS.
C	FLAT WASHER (M6)	6 PCS.
D	ALLEN KEY (M4)	1 PC.



TOOL REQUIRED (NOT PROVIDED)



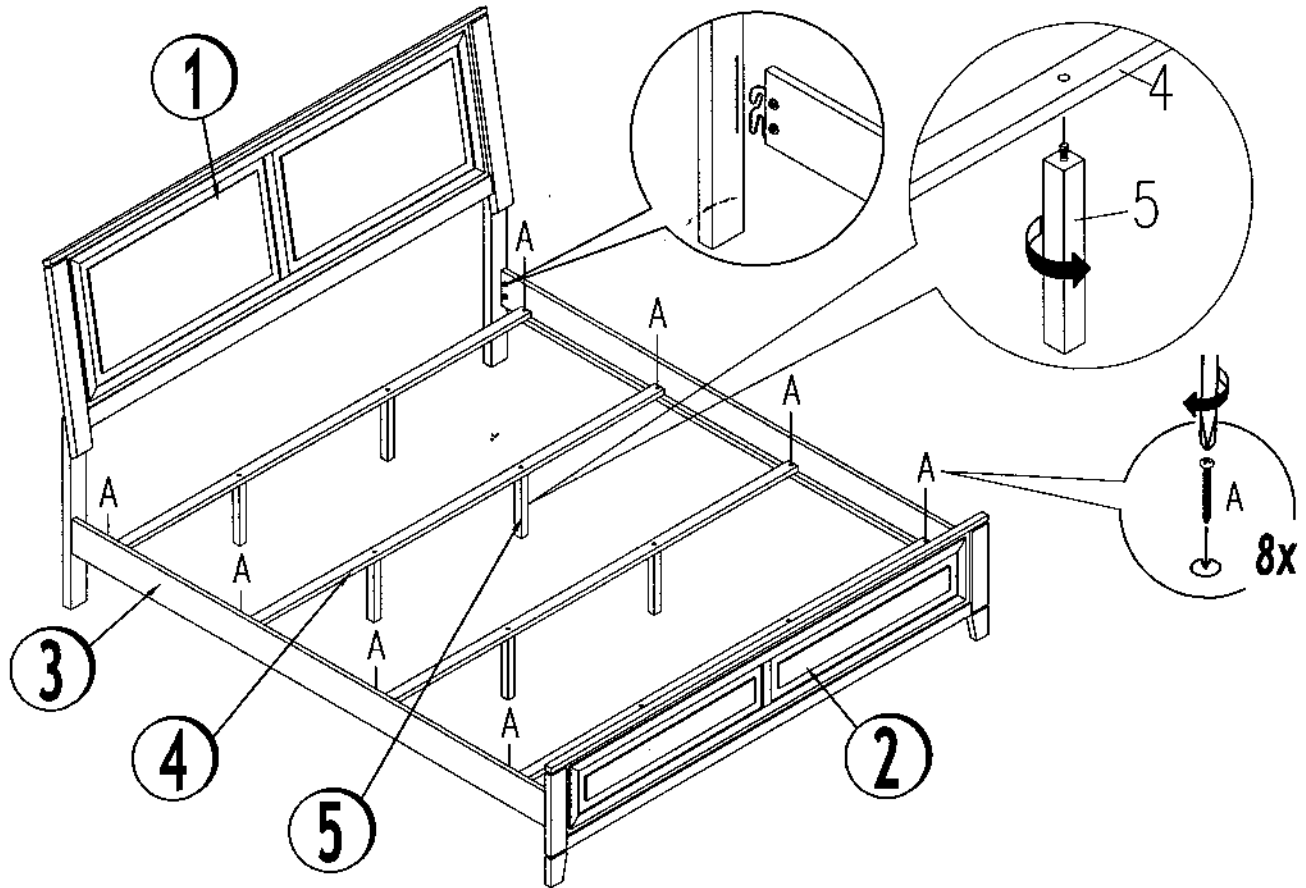
## IMPORTANT NOTE :

- \* Place all wooden parts on a clean and smooth surface such as a rug or carpet to avoid the parts from being scratched.
- \* Check to be sure that you have all parts and hardware.
- \* Remove all wrapping materials, including staples & packing straps before you start to assemble.
- \* Do not tighten all screws/bolts until all completely assembled.
- \* Keep all hardware parts out of reach of children.

# ASSEMBLY INSTRUCTIONS

GROUP NO : CJ 5 BEDROOM

DESCRIPTION : KING HB / FB  
KING SIDE RAIL

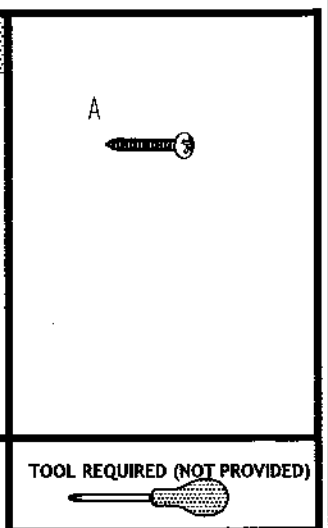


## PARTS LIST

QTY	DESCRIPTION	QTY
1	HEADBOARD	1 PC.
2	FOOTBOARD	1 PC.
3	SIDE RAIL	2 PCS.
4	SLAT	4 PCS.
5	VERTICAL LEG	8 PCS.

## HARDWARE LIST

NO	DESCRIPTION	QTY
A	M4 x 32MM PANHEAD SCREW	8 PCS.



## IMPORTANT NOTE :

- \* Place all wooden parts on a clean and smooth surface such as a rug or carpet to avoid the parts from being scratched.
- \* Check to be sure that you have all parts and hardware.
- \* Remove all wrapping materials, including staples & packing straps before you start to assemble.
- \* Do not tighten all screws/bolts until all completely assembled.
- \* Keep all hardware parts out of reach of children.