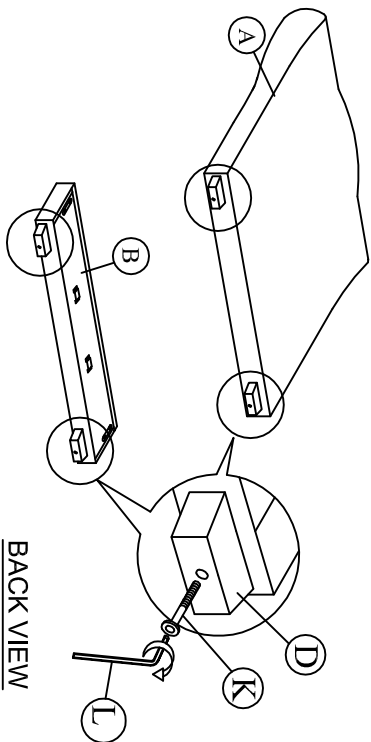


# ASSEMBLY INSTRUCTION

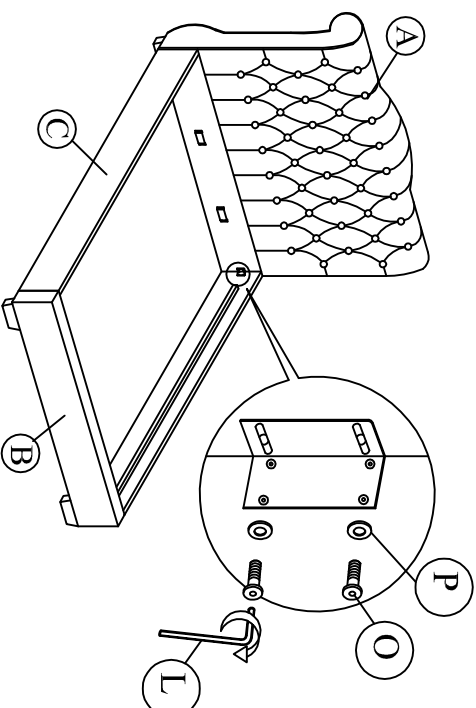
MODEL: CF 8956 (6')

A	Headboard	1 pc
B	Footboard	1 pc
C	Side Rail	2 pcs
D	Leg	4 pcs
E	Center Rail	2 pcs
F	Support Leg	4 pcs
G	Slat	42 pcs
H	Middle Holder	28 pcs
I	End Holder	28 pcs
J	JCBG M6 X 40	4 pcs
K	JCBG M6 X 50	4 pcs
L	M4 x 100mm	1 pc
M	CSK M4 x 25mm	4 pcs
N	CSK M4 x 16mm	8 pcs
O	JCBG M6 X 30	8 pcs
P	Flat Washer	8 pcs
Q	Adjuster	4 pcs

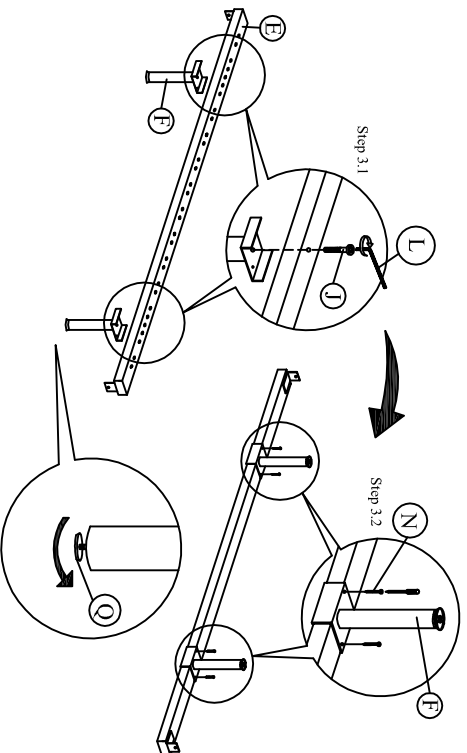
Step 1: Tighten the legs (D) to both headboard (A) and footboard (B) as shown.



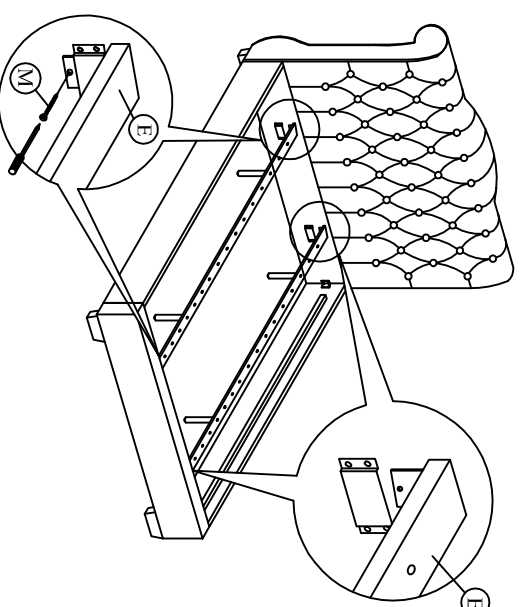
Step 2: Attach side rail to headboard and footboard and tighten the screws & flat washers to the headboard and footboard.



Step 3: Attach the support legs (F) to the center rail (E) of the bed as shown.



Step 4: Slide the center rail (E) to the headboard (A) and footboard (B). Tighten screws (M) using screw driver (not included) to the headboard (A) and footboard (B).



Step 5: Assembly of the slat holders with LVL slats as shown.

