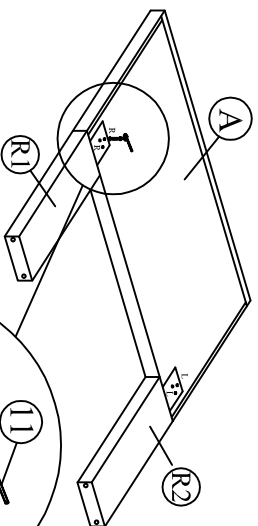
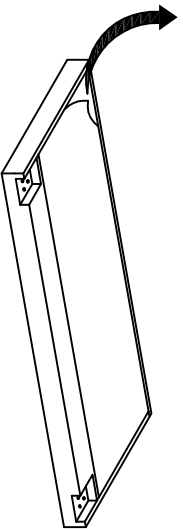


MODEL : CF 8881 (5')

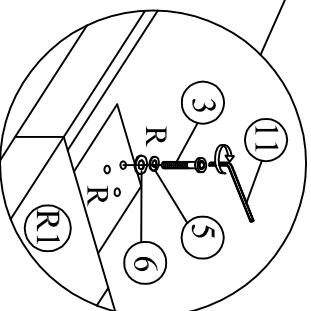
# Assembly Instruction

MODEL : CF 8881 (5')		Assembly Instruction																					
A	Headboard	1 PC	B	Footboard	1 PC	C	Side Rail	2 PCS	D	End Holder	26 PCS	1	JCBC M6 X 20	8 PCS	2	JCBC M6 X 40	8 PCS	3	JCBC M6 X 50	30 PCS	4	JCBC M8 X 50	10 PCS
E	Middle Holder	13 PCS	F	Slat	26 PCS	G	Pump Mounting Bracket	2 PCS	H	Bracket Base	2 PCS	5	M6 Spring Washer	64 PCS	6	M6 Flat Washer	64 PCS	7	M6 Hex Nut	18 PCS	8	M8 Spring Washer	20 PCS
I	FH / SR Angle Bracket	2 PCS	J	Main Frame (front & End)	2 PCS	K	Main Frame (Side)	2 PCS	L	Center Rail	1 PC	9	M8 Flat Washer	20 PCS	10	M8 Hex Nut	10 PCS	11	M4 Allen Key	1 PC	12	M5 Allen Key	1 PC
M	Metal Corner Bracket	4 PCS	N	Rubber Corner Connector	4 PCS	O	Support Legs	1 PC	P	Gas Spring	2 PCS	13	M6 Spanner	1 PC	14	M8 Spanner	1 PC	15	Frame lifter	1 PC	16	CSK Screw M4 x 16 mm	2 PCS
Q	Stopper	1 PC	R	Headboard Legs	2 PCS	S	Side Wing	2 PCS															

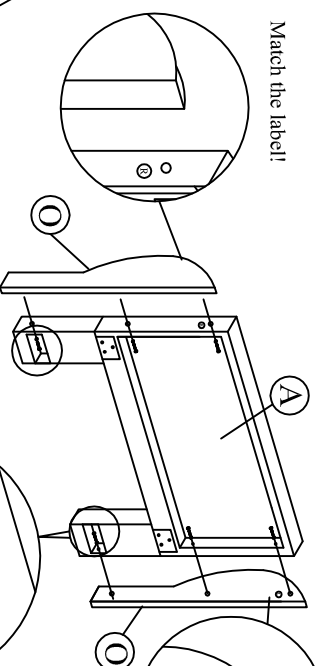
Step 1: Open the black non-woven fabric on the back of headboard and take out all the parts out.  
Tighten the headboard leg and side wing to the headboard.



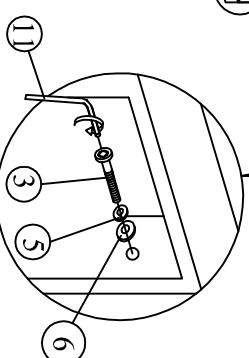
Match the label!



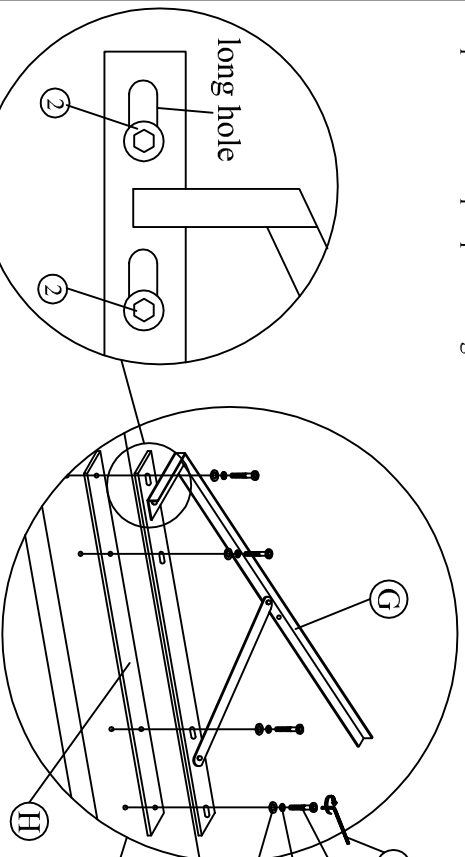
Match the label!



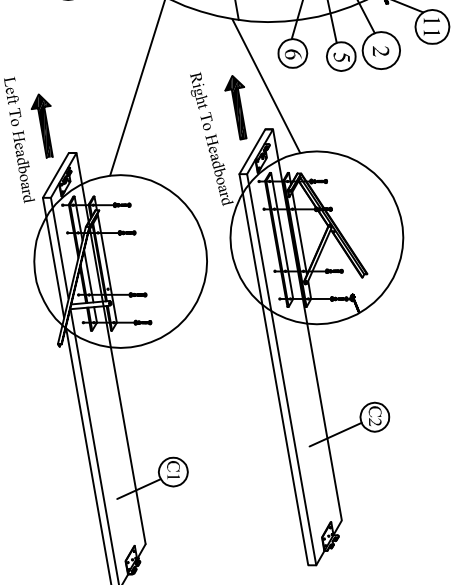
Match the label!



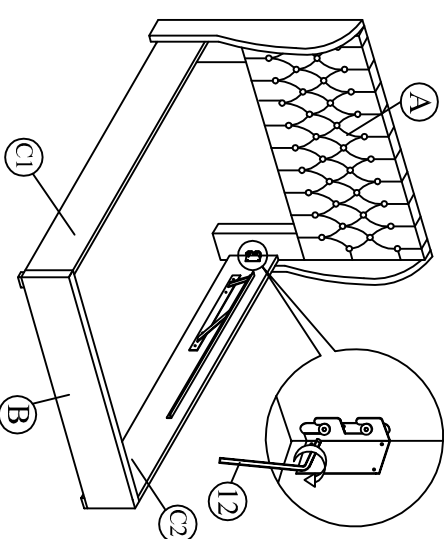
Step 2: Attach the pump mounting bracket to both side rail.



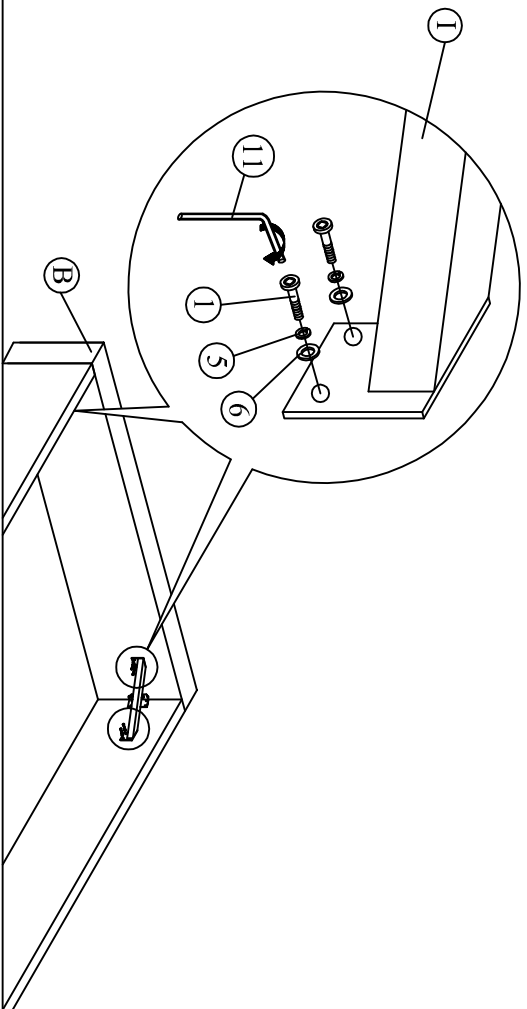
Caution: Tighten the screw at the position of the long hole as shown!



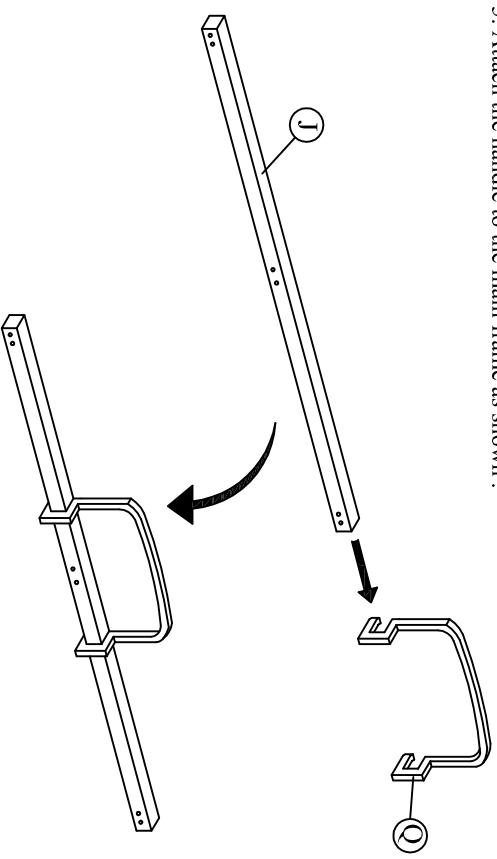
Step 3: Hook and tighten the side rail to headboard and footboard.



Step 4: Tighten the angle bracket to both footboard & side rail.

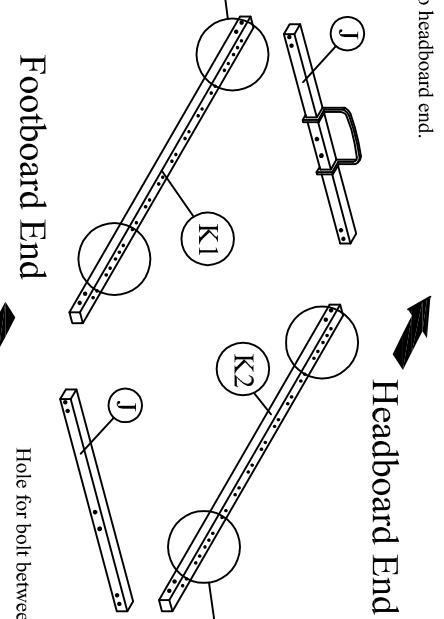
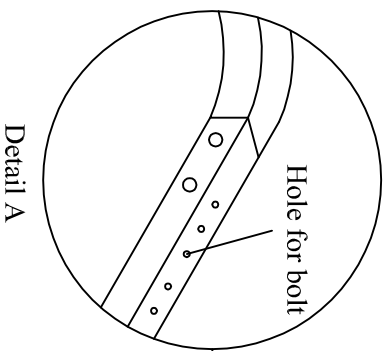


Step 5: Attach the handle to the main frame as shown.

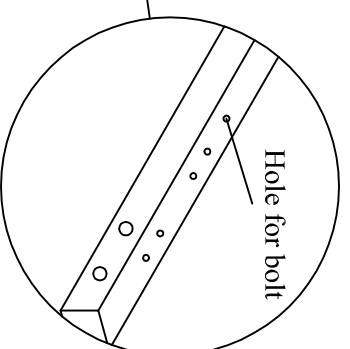


Step 6: Assemble the main frame as shown. The hole for bolt between first & second pair of holders indicate the frame end where it will need to fix to headboard end. & third pair of holders indicate the frame end where it will need to fix to footboard end.

Hole for bolt between first & second pair of holders' hole to be fixed to headboard end.

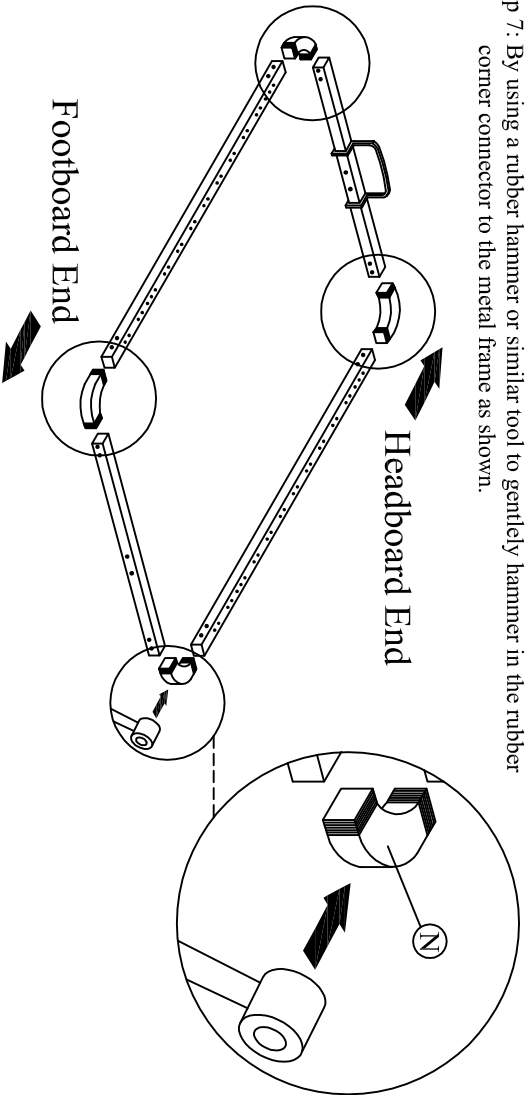


Detail B

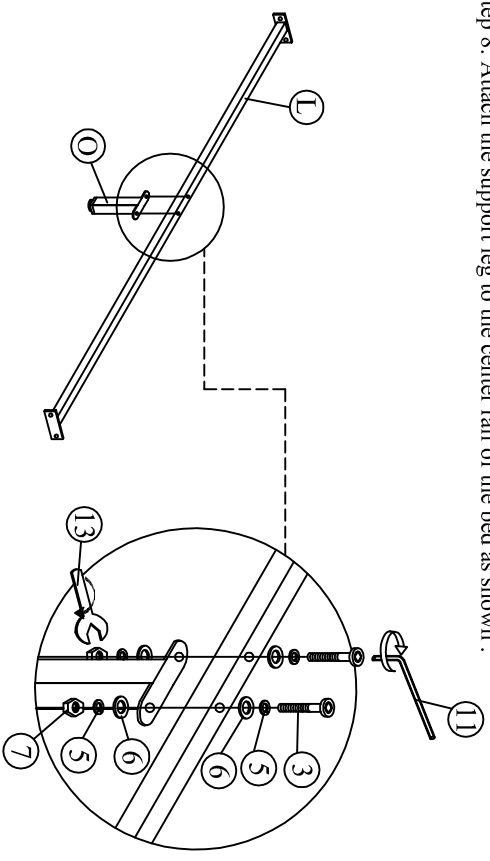


Hole for bolt between second & third pair of holders' hole to be fixed to Footboard end.

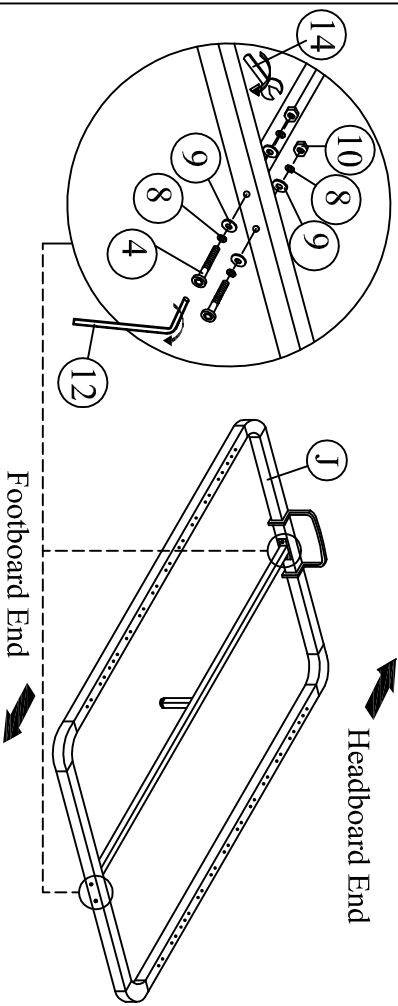
Step 7: By using a rubber hammer or similar tool to gently hammer in the rubber corner connector to the metal frame as shown.



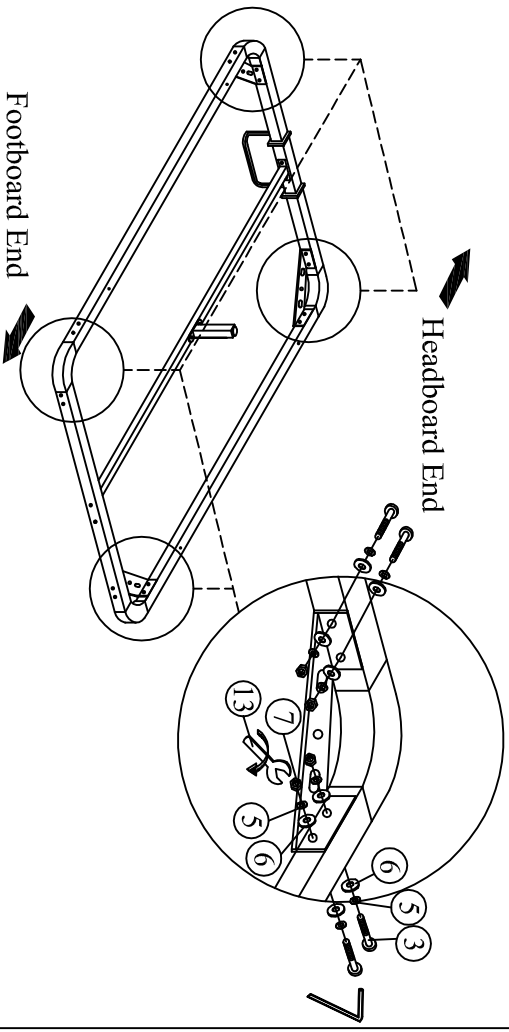
Step 8: Attach the support leg to the center rail of the bed as shown .



Step 9: Attach the center rail to the main frame as shown and fully tighten all the screw of the main frame.

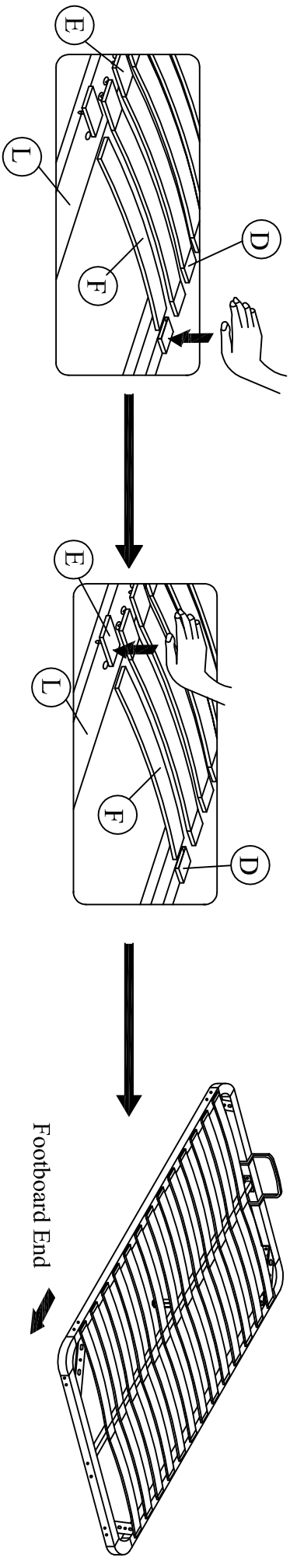


Step 10: Turn the frame upside down for fixing the metal corner bracket to the main frame as shown.

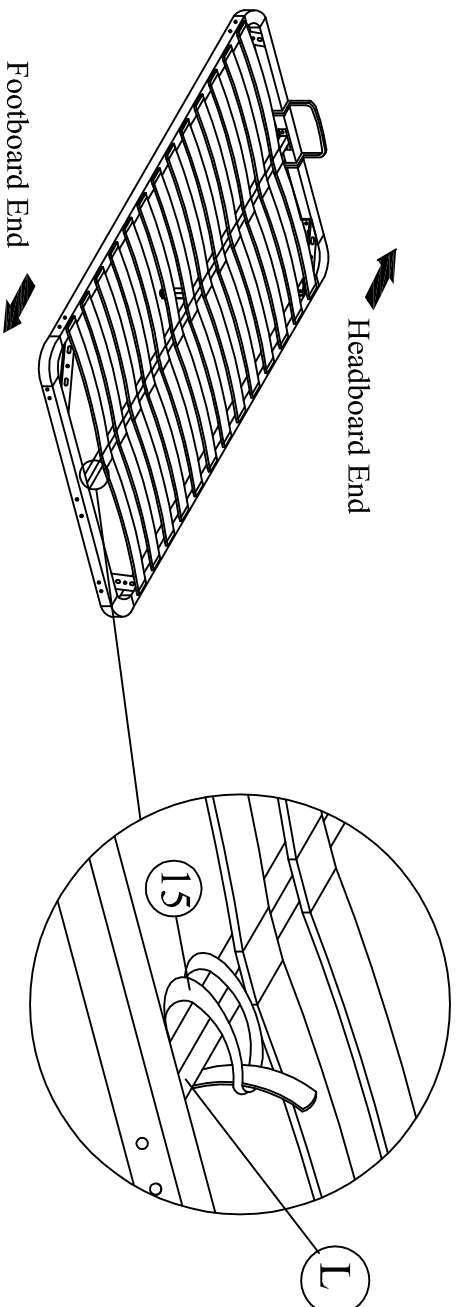


Step 11 : Install the slat holders with the slat and fix to the main frame.

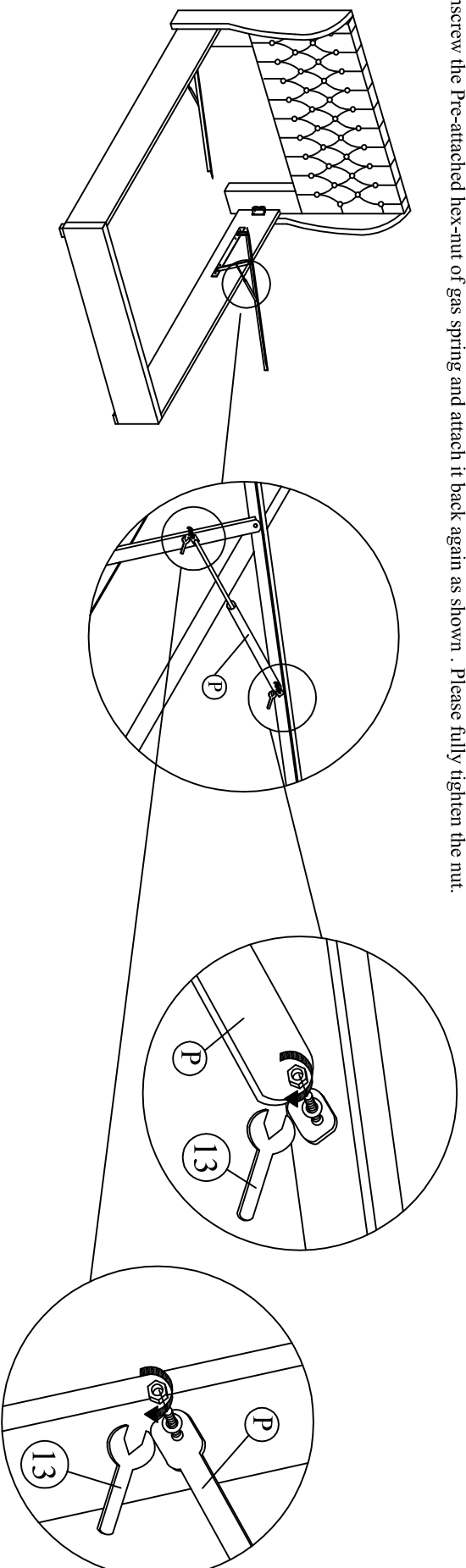
Fit Slat Holders (D) first & attach to outside rail , then fit slat holders (E) and attach to center rail (Note : fit D first then E)



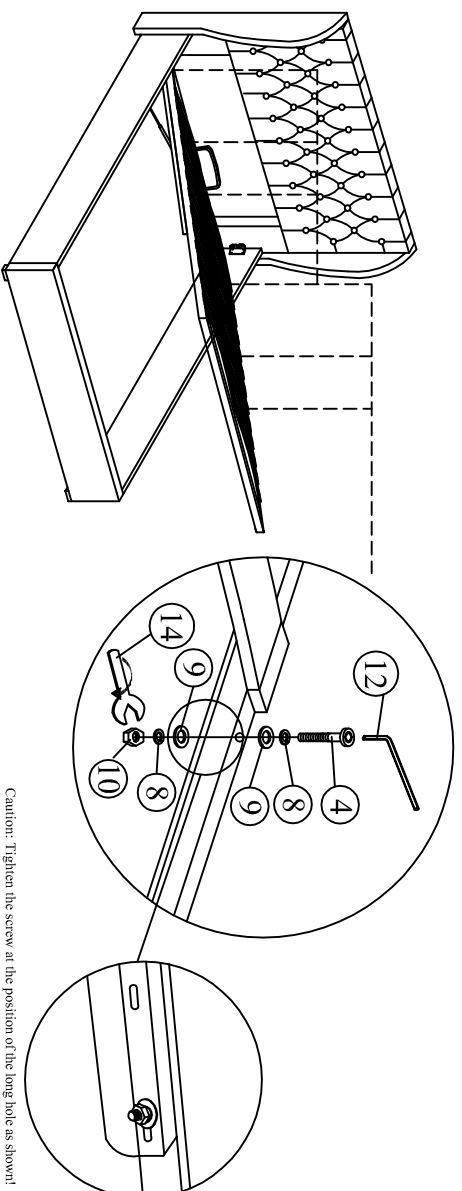
Step 12 : Attach the frame lifter to the center rail Foot by crossing over and looping it through it self .



Step 13: Unscrew the Pre-attached hex-nut of gas spring and attach it back again as shown . Please fully tighten the nut.



Step 14: Assemble the main frame to the bracket and tighten all the fitting accordingly .



Caution: Tighten the screw at the position of the long hole as shown!

Step 15: Assembly is complete.

