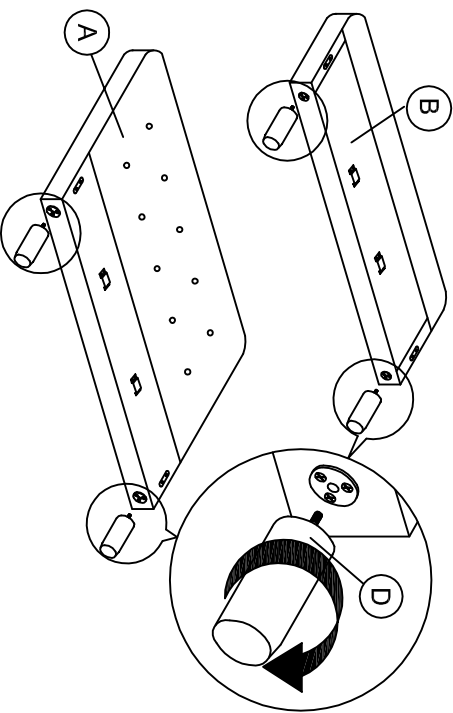


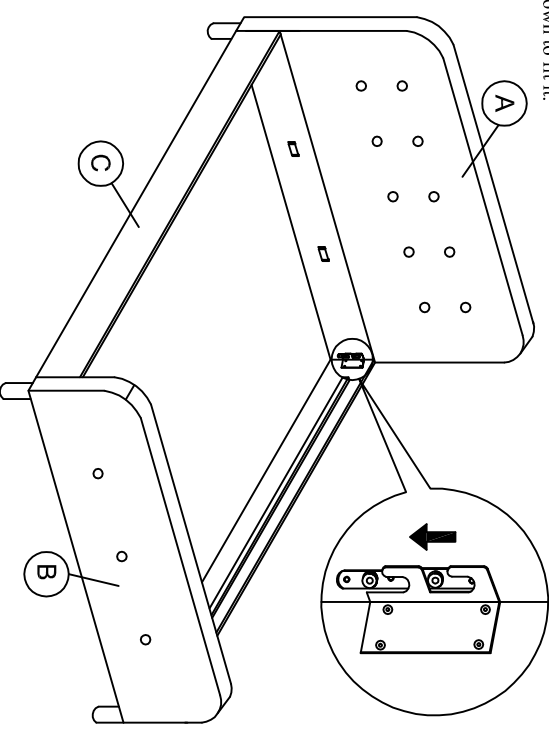
ASSEMBLY INSTRUCTION

MODEL: CF 8815 (6')

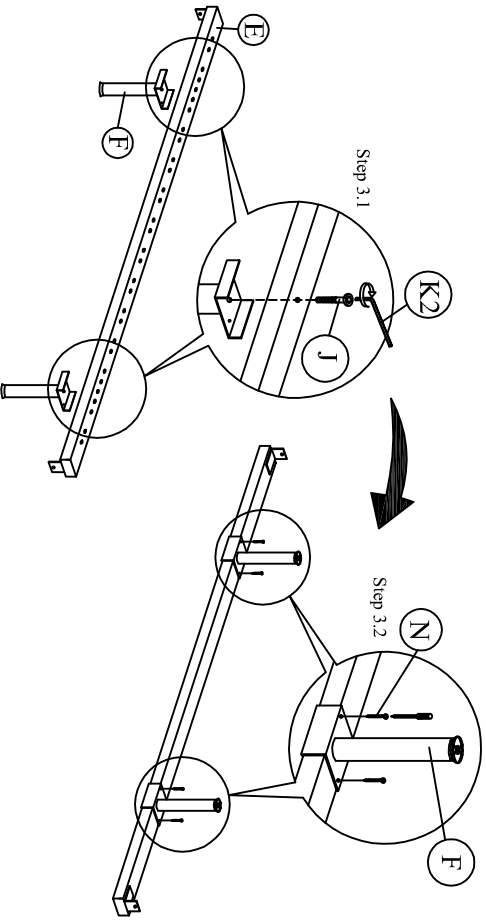
A	Headboard	1 pc
B	Footboard	1 pc
C	Side Rail	2 pcs
D	Legs	4 pcs
E	Center Rail	2 pcs
F	Support Leg	4 pcs
G	Slat	42 pcs
H	Middle Holder	28 pcs
I	End Holder	28 pcs
J	JCBC M6 X 40	4 pcs
K	K1 K2 M5 x 70mm M4 x 65mm	1 pc
L	CSK M4 x 25mm	4 pcs
M	CSK M4 x 32mm	4 pcs
N	CSK M4 x 16mm	8 pcs
L	Stiffener Slat (4 Holes)	1 pc



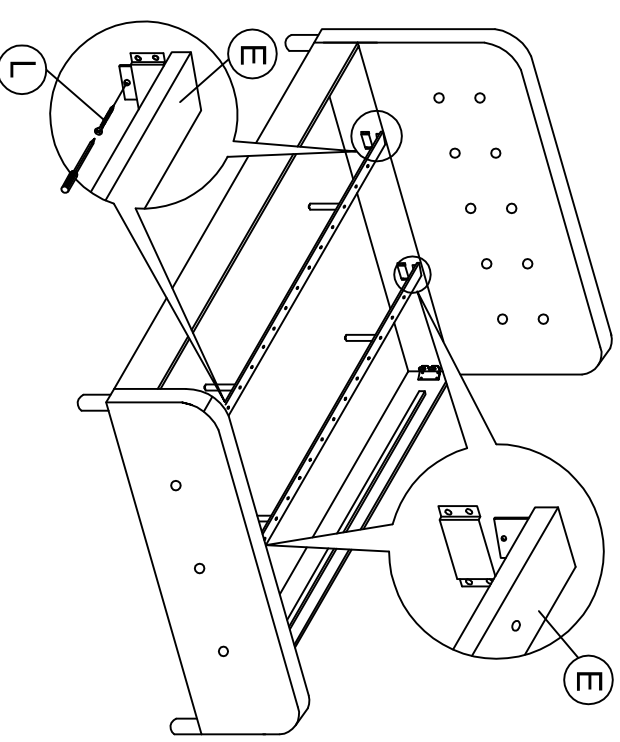
Step 1: Install the legs (D) to footboard (B) and headboard (A).



Step 2: Attach side rail (C) to footboard (B) and headboard (A) by pushing the bracket down to fit it.



Step 3: Attach the support legs (F) to the center rail (E) of the bed as shown.



Step 4: Slide the center rail (E) to the headboard (A) and footboard (B). Tighten screws (L) using screw driver (not included) to the headboard (A) and footboard (B).

Step 5: Affix the Stiffener Slat (L) to the side rail support wood and the center rail (E) . Tighten all the 4 corner ,follow by a assembly of the slat holders with L VL slats as shown.

